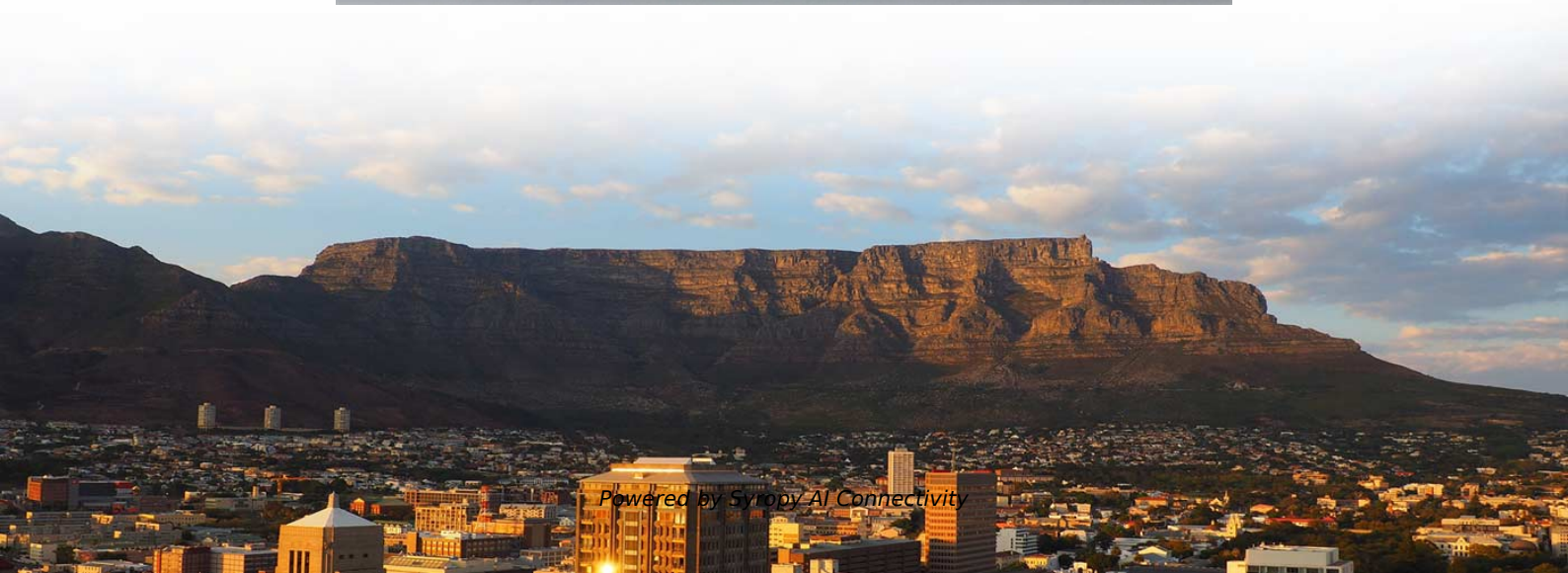
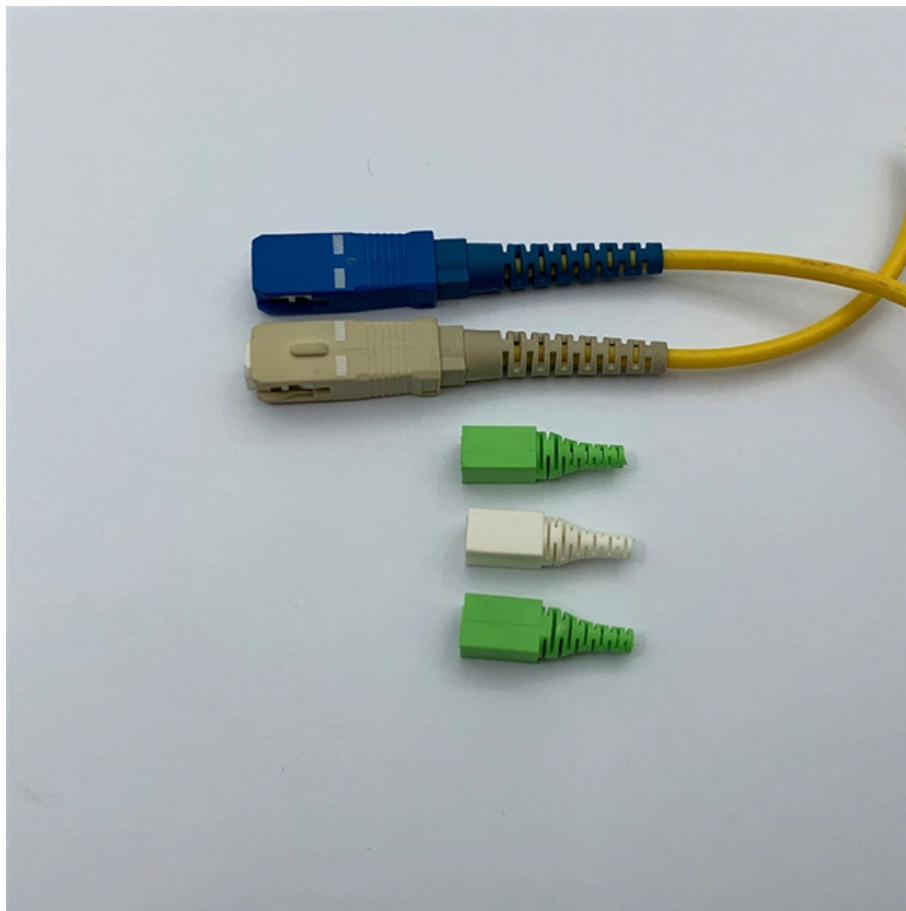
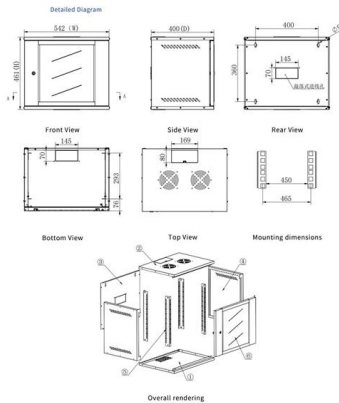


New Zealand BESS Energy Storage System Anti-Static





New Zealand BESS Energy Storage System Anti-Static



Soft energy storage system to support New Zealand's transition to low

Located at Ruakaka in the country's North Island, the 100-megawatt (MW) BESS will improve the stability of the national grid, as intermittent renewable power generation increases in

DISTRIBUTED BATTERY ENERGY STORAGE SYSTEMS IN NEW ZEALAND

By ensuring that the Code continues to develop to cater for new technology, including behind-the-meter distributed, non-dispatchable, renewable generation, we can provide New Zealand consumers better



Battery Energy Storage System BESS in New Zealand

New Zealand is at the forefront of renewable energy adoption, with a strong commitment to sustainability and reducing carbon emissions. However, as the country increasingly relies on

Soft and Genesis Energy sign 200 MWh extension for New Zealand's

Soft, a TotalEnergies subsidiary, has signed a 200 MWh extension contract with New Zealand's Genesis Energy for the Huntly Power Station battery energy storage system. The



DISTRIBUTED BATTERY ENERGY STORAGE SYSTEMS IN NEW

Building on our 2017 investigation into the impacts of solar PV generation on the power system, this investigation sought to identify the potential impact of distributed BESSs on the short-term operation



Battery Energy Storage System

Battery Energy Storage Systems (BESS's) are becoming a fundamental part of the electricity network and energy infrastructure globally. BESS systems allow for



Launch of New Zealand's first utility-scale Battery

WEL Networks and Infratec are proud to announce the launch of New Zealand's largest Battery Energy Storage System (BESS) with commissioning underway.

Providing detailed design and construction



support for

We're providing detailed design and construction support for New Zealand's first grid-scale Battery Energy Storage System (BESS) to enhance



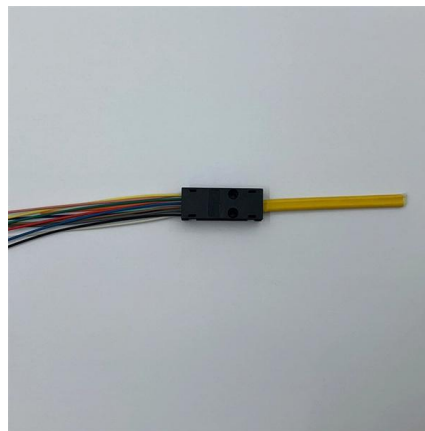
Battery Energy Storage Systems (BESS)

Infratec's experience with BESS systems includes concept design and development, detailed design, installation, and integration of BESS systems in New Zealand and throughout the ASEAN regions.



202 MW New Zealand agrisolar project reaches financial

Harmony Energy New Zealand has secured a further nine solar and battery energy storage system (BESS) projects, which the company's



Ford Energy Launches Utility-Scale Storage With LFP-Based BESS

While BYD and Tesla have been well-known names in this regard, Ford has followed suit with the recent launch of its energy business, Ford Energy. With an announced investment of \$2



SynVista Energy

? Looking for an opportunity to work on real energy storage projects? ? We're hiring a Sales Engineer (BESS) ? ? Malaysia , Australia , New Zealand At SynVista, we're building something

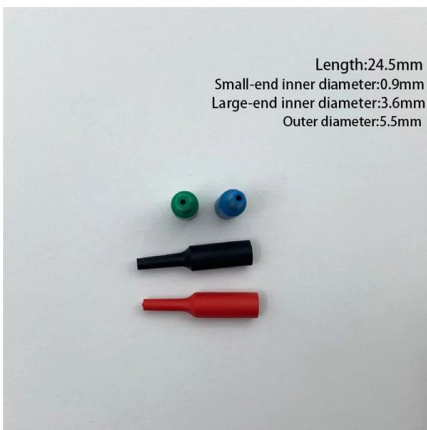


Meridian Energy bags consent for 120MW New Zealand solar plant -

Posted on May 15, 2026 by Now.Solar New Zealand utility Meridian Energy has received consent to build a 120MW solar PV project alongside a planned battery energy storage system

What Is a Battery Energy Storage System (BESS)?

A Battery Energy Storage System (BESS) is a particular type of energy storage system that can be used in homes, commercial settings or across a wide range of



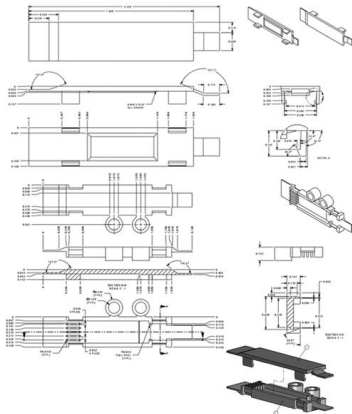
Energy Vault, Balkan partner agree on USD-250m

Renewables developer EU Green Energy LLC has selected Energy Vault Holdings Inc's (NYSE:NRGV) technology for the deployment of up to 1.8



Dentons in New Zealand

Solving that intermittency issue is a fantastic opportunity for those developing or investing into firming technologies such as Battery Energy Storage Systems (BESS). A BESS captures, stores



ETN News , Energy Storage News , Renewable Energy

ETN news is the leading magazine which covers latest energy storage news, renewable energy news, latest hydrogen news and much more. This magazine is

Saft utility-scale BESS will power Huntly Portfolio to

This major contract for Genesis will be Saft's third utility-scale BESS to support the New Zealand grid. This success is based on the growing reputation



New Zealand's 'first grid-scale battery storage project' in

Infratec general manager Nick Bibby said that the storage system is "the first of its scale to be built in New Zealand". As reported by Energy





Battery Energy Storage SYSTEM (BESS)

BESS systems allow for increased penetration of intermittent renewable generation, which complements the global transition to zero carbon generation. They are



I Squared launches ANZA Power with US\$300m for

I Squared Capital has launched ANZA Power, a new IPP aiming to deliver reliable and sustainable energy across Australia & New Zealand.

Lightsource bp starts building 562-MWh BESS at NSW

UK-based solar developer Lightsource bp said on Thursday it has started delivery of a 49-MW/562-MWh battery energy storage system (BESS) to

Pre-Terminated Patch Panel

- Multi-application support
- Flexible configuration
- Modular design



New Zealand's First Utility Scale Battery Energy Storage

"This first network-scale battery system will contribute to the country's Net Zero ambition by 2030, allowing for more renewable energy to be installed and



Battery Energy Storage System BESS in



New Zealand

This is where Battery Energy Storage Systems (BESS) come into play. Today, BESS technology is not just a future concept--it is actively transforming how energy is generated, stored,



Regulatory roadmap for battery energy storage systems

This paper sets out the regulatory roadmap for the Electricity Authority's BESS-related work over the next two years and discusses some of the initiatives underway led by others within the

Genesis Energy Reaches Final Investment Decision on 100 MW

Genesis Energy has formally committed to building a second battery energy storage system (BESS) at its Huntly Power Station site, New Zealand, reaching Final Investment Decision on a 100 megawatt,



Polenergia gets co-financing for 50-MW energy storage project

Polish private utility Polenergia (WSE:PEP) has agreed to receive co-financing from the national eco-fund, equal to 45% of the costs of a 50-MW battery energy storage system (BESS)



How Do Battery Energy Storage Systems (BESS) Work?

Delve into the world of Battery Energy Storage Systems (BESS). Uncover the mechanics behind energy storage for a sustainable future.



Contact Us

For datasheets, pricing, or custom high-speed optical interconnect solutions, please visit:

<https://www.syropy.com.pl>