

# Multimeter Testing Photovoltaic Modules





## Overview

---

In addition to a solar meter, you may also need a clamp meter to measure current and voltage, a multimeter to measure resistance and continuity, and a thermal imager to detect hot spots and other ano.



## Multimeter Testing Photovoltaic Modules

---



### 5 Essential Multimeter Measurement Tips For Solar PV

Based on real PV installation scenarios, the following five multimeter measurement techniques cover nearly all high-frequency operations at solar project sites and

### 5 Essential Multimeter Measurement Tips For Solar PV

Learn 5 essential multimeter testing tips for solar PV installation. Improve safety, efficiency, and fault diagnosis with Honeytek professional meters.



### How to Test Solar Panels with a Multimeter: A Guide

Learn how to test solar panels with a multimeter to ensure optimal performance, save on energy costs, and maintain your solar investment.

### Solar Tools Kit with 1537 Insulation Resistance Tester

Solar Tools Kit with 1537 Insulation Resistance Tester and 283 FC/PV Solar Digital Multimeter, Wireless Current Clamp Combining the Fluke 1537 insulation tester



### Digital Multimeters for Solar Professionals: What You Need to Know

Digital multimeters are indispensable tools for solar professionals, providing the necessary measurements to ensure the optimal performance, safety, and reliability of solar PV systems. Learn

### Solar Panel Tester, UT673PV 800W Photovoltaic Multimeter Solar

About this item Smart MPPT open circuit voltage troubleshooting: UT673PV solar panel tester, photovoltaic multimeter 800W, solar MPPT meter with large ultra-clear LCD, smart MPPT open



### Test Any Solar Panel in Minutes with a Multimeter , DIY Solar Basics

? Learn how to test solar panels using a multimeter -- step-by-step! I'll show you how to safely check voltage, amperage, and open-circuit power, so you can confirm if your panels are



## Measuring Devices for Photovoltaic (EN 62446)

Ideal for the planning, commissioning tests and periodic inspection of grid-connected PV systems in compliance with EN 62446 as well as for testing solar thermal



## Solar Multimeters: Ensure Optimal PV System

Explore our range of solar multimeters designed for photovoltaic systems. Measure voltage, current, and ensure optimal performance.

## How to Test Solar Panels with a Multimeter

Learn how to test solar panels with a multimeter step by step, including how to check voltage, current, and resistance to diagnose panel problems.



## HOW TO TEST A PV MODULE WITH A VOLTMETER?

Testing a photovoltaic (PV) module with a voltmeter is a straightforward process that ensures your solar panels are functioning correctly



## Solarpanel tester 800W PV Messgerät Solarpanel

Info zu diesem Artikel Solarmodultester: PV Multimeter zur Bewertung der Leistung von Solarmodulen, Leistungsbereich: 5-800 W, Spannungsbereich: 12-60 V,

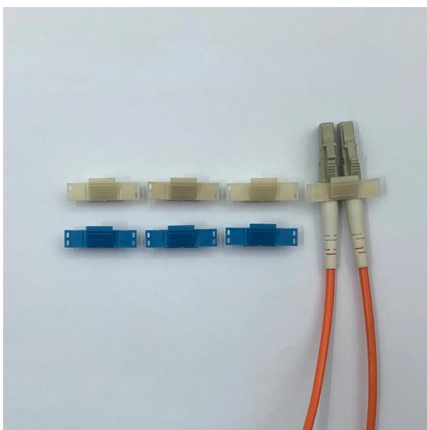


## Electrical testing standards guide for the PV Industry

PV systems are unique electrical installations because of the presence of both direct current (DC) and alternating current (AC) power sources. Therefore, technicians must understand how to properly use

## Solar Equipment: Meters, Tools, Testers , Fluke

How do you test a solar panel? To test a solar panel, you use a tester or multimeter to measure the voltage and current output. This helps determine the panel's efficiency and identify any performance



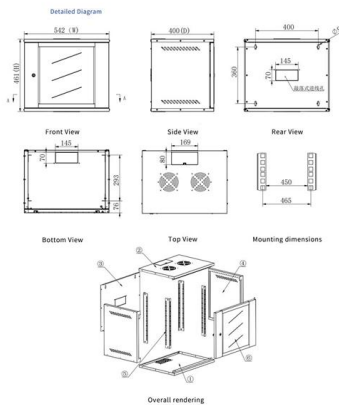
## How to Test Solar PV Panels with a Digital Multimeter

Learn how to safely and accurately test solar PV panels using a digital multimeter in residential, commercial, and utility-scale systems. In this training video, Will White, Solar Application



## Amazon : Solar Panel Tester Meter

FrogBro 1800W Solar Panel Tester Photovoltaic Multimeter, Troubleshooting Tool with Smart MPPT Display, Upgraded Measuring Range (5~1800W, 20~120V, 0~60A) for Solar PV Panel Testing and



## How to Check a Solar Panel With a Multimeter

Testing a solar panel's output is a fundamental step in diagnosing performance issues or verifying that a new panel meets its published specifications. A standard digital multimeter is the

## FrogBro FB673PV Solar Panel Tester, 800W Photovoltaic Multimeter,

FrogBro FB673PV Solar Panel Tester, 800W Photovoltaic Multimeter, MPPT Measuring Device with Large LCD Display, Intelligent Open Circuit Voltage Diagnostic MPPT, Data Test PV Modules



## How to Measure Solar Panel Voltage and Current with a

Maximize your solar panel efficiency with our detailed guide on using a multimeter for testing voltage and current. Learn the critical steps for accurate



## How To Test A Solar Panel With A



## Multimeter? Step-by-Step Guide

Learning to test a solar panel with a multimeter is an investment in your knowledge and ability to manage your own solar energy system or provide valuable services in the growing solar



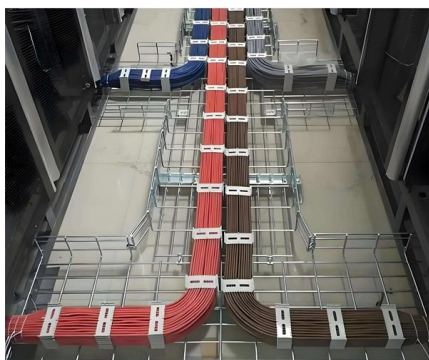
## Solar Panel Tester for PV Module Testing , sisco

Buy a SISCO solar panel tester for PV module testing, capable of measuring sunlight for solar panels. It includes protection features such as over temperature, voltage,



## Solar Multimeters: Ensure Optimal PV System

High-quality solar multimeters designed specifically for photovoltaic system installation, maintenance, and troubleshooting. Our precision testing equipment



## How To Test Solar Panels With Multimeter? A Beginner's Guide

Solar panels, also known as photovoltaic (PV) modules, are composed of numerous solar cells. These cells, typically made of silicon, convert sunlight directly into electricity through the



## Photovoltaic Testers

A range of products to verify safety and efficiency of photovoltaic installations. This range includes 1500V I-V Curve Tracers, Insulation testers (IEC/EN62446),



## Contact Us

---

For datasheets, pricing, or custom high-speed optical interconnect solutions, please visit:

<https://www.syropy.com.pl>