

Most aesthetically pleasing wiring method for distribution boxes





Most aesthetically pleasing wiring method for distribution boxes



Different Types of Electrical Wiring , D& F Liquidators

It provides a neater and more aesthetically pleasing appearance while ensuring safety and compliance with electrical codes. Here are the two main types of

7 Decorative Ideas for Exposed Wiring That Transform

Transform exposed wiring from eyesore to design feature with 10 creative ideas--from wire art installations and LED pathways to vintage-inspired covers



How to Install a Distribution Box--A Comprehensive

Whether you are an electrical contractor or a construction brigade, knowing how to properly and safely install distribution boxes is the basis of

Best Cable Electrical Boxes for Efficient and Organized Wiring

Cable electrical boxes are essential components in electrical systems, providing a safe and secure way to manage and distribute electrical connections. These boxes serve multiple

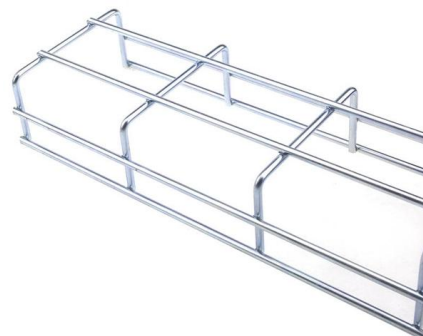


Electric Panel Installation Method Statement

This document provides a method statement for installing and terminating electric panels and distribution boxes. It outlines 4 steps: 1) Pre-installation preparation

Concealed wiring: Know importance, advantages and

This is why concealed conduit electrical wiring has become the most popular and widely used type of electrical wiring system in modern construction.



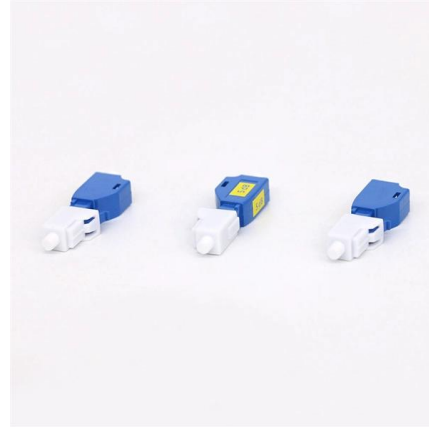
Hide Junction Box: Creative Ways to Conceal Unsightly

Our blog post, "Hide Junction Box: Creative Ways to Conceal Unsightly Electrical Boxes," unveils ingenious DIY methods and decorating ideas



How to Improve the Installation Quality of Distribution Boxes

The wiring connecting electrical components inside the box should be horizontal, vertical, neat, and aesthetically pleasing. Straight sections of wire should be smooth and straight; the bending radius for

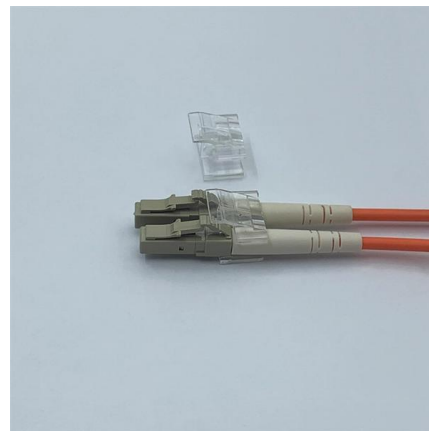


Best Material for LV Distribution Box , Axis Electricals

Learn which material is ideal for your LV distribution box. Axis Electricals explains how to choose the right enclosure for safety, durability, and

Neat Wiring: Dress Your Breaker Panel Like a Pro!

Learn how to professionally wire and organize an electrical distribution board in this step-by-step guide designed for DIY enthusiasts, electricians, and anyone looking to ensure a neat, safe



Electrical Wiring Systems and Methods of Electrical Wiring

Conclusion This is a simple learning guide on Electrical Wiring Systems, Different Types of Electrical Wiring, factors to consider while selecting



A Step-by-Step Guide to Wiring an Electrical Panel Box

Find out how to properly wire an electrical panel box with a comprehensive diagram and step-by-step instructions.



Organizing a Panel Box

Organizing a Panel Box To create an orderly panel, plan where everything will go and then methodically execute that plan.

How to determine the size, installation method and

(1) Wiring method of distribution box 1)
Generally, the incoming line of power distribution box adopts five wire system, that is, a, B and C three-way phase line



Design Of Electrical Distribution Boxes

In summary, a good electrical distribution box should be large enough to accommodate all necessary components, made of durable and fire-resistant materials, have a logical component layout, be



Requirements And Specifications For Installation Of

In flammable and explosive environments, explosion-proof distribution boxes should be selected and explosion-proof treatment should be carried out.



Conduit Wiring Solutions: Enhancing Electrical Safety

Conduit wiring, a method often used but not always fully understood, embodies these qualities. Whether you're a DIY enthusiast or a homeowner looking to enhance

The Art of Efficient Wire Routing: Best Practices for Neat

In the world of electronic assembly, efficiency, reliability, and aesthetics go hand in hand. At PGF Technology Group, a leading electronic



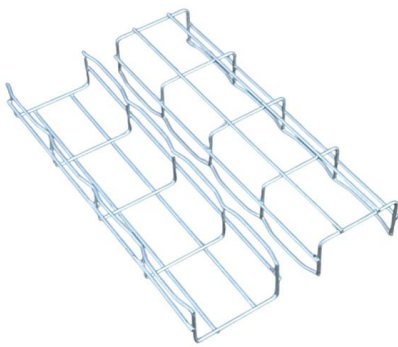
What you need to know about the manufacturing process of distribution

Opening the door to a distribution box reveals a meticulously organized panel of breakers. What lies unseen is the significant engineering and manufacturing journey behind it.



Electrical Wiring, Types, Advantages & Disadvantages

Advantages of Joint Box wiring Less expensive as it does not use long-run cables, and wiring can be saved. Joint box connections are more



How to ensure the aesthetic appearance of the wiring

By following the above points, the aesthetics and overall quality of the installation of circuits inside the electrical ready board box can be greatly improved.

Summary of key points for construction and installation of distribution

The construction and installation points of distribution boxes and switch boxes are summarized as follows: 1. Select qualified products that meet national standards and safety requirements.



Creative Ways To Make Electrical Wirings Tidier And

One of the simplest ways is to use cable ties to bundle and hide the wires together. You can also use decorative cable covers to conceal the electrical wirings and



How to ensure the aesthetic appearance of the wiring installation

To ensure the aesthetic appearance of the wiring installation inside the electrical ready board box, the following points can be followed: Grouping and layering: Grouping and layering neutral, live, and



How to Choose a House Distribution Box , CHINT global

A well-chosen distribution box ensures the safety and efficiency of your household electrical system. This article guides you through selecting a

11+ Creative Ideas for Hiding an Electrical Panel

Common methods for covering electrical panels include placing a decorative piece of art or a mirror in front of the boxes. However, these may not



Contact Us

For datasheets, pricing, or custom high-speed optical interconnect solutions, please visit:
<https://www.syropy.com.pl>