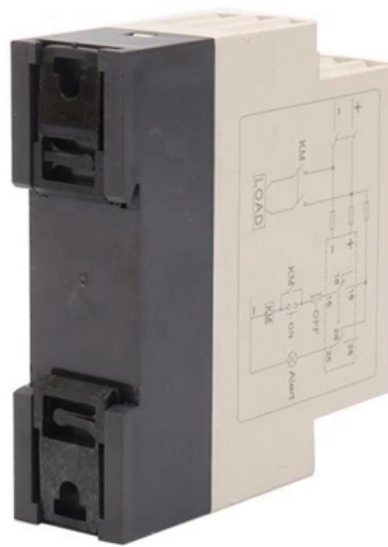


Model of a 50-position household electrical distribution box





Overview

N10-M1 from Larson Electronics is a Portable Spider Box with Wheels that provides operators the ability to safely distribute single-phase 120V AC power from a variety of sources including generators and direct grid power. The Champion Power Equipment high-capacity power distribution box is perfect for construction sites, outdoor events, and wherever reliable power is a must. With 50A main inlet feeds and multiple receptacles, this unit is built to handle even the most demanding power needs in the toughest. It's unique design provides easy access to electrical components while prioritizing safety and durability.



Model of a 50-position household electrical distribution box

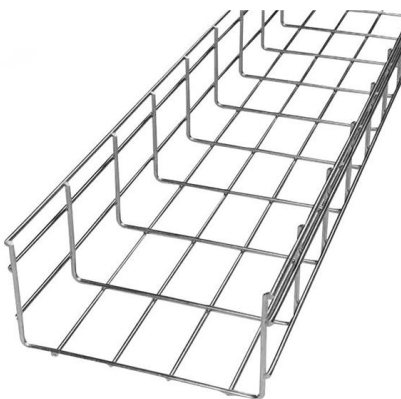


50A Portable Spider Box w/ Wheels, 120V 1PH, (6) 5-20R

Larson Electronics manufactures a wide variety of custom power distribution systems. The pictures displayed for this unit are a general representation of form factor and may not accurately represent

Distribution Box Guide: Types, Components & Solutions

Understand distribution boxes (DB boxes) in 5 minutes. Learn about types, components, functions, and uses. Find the perfect DB box for your needs.



Power Distribution Equipment

Power Distribution Equipment is a term generally used to describe any apparatus used for the generation, transmission, distribution, or control of electrical energy.

Distribution Boards

Distribution boards, often referred to as electrical panels or breaker boxes, serve as the nerve center of any electrical system. Here we explore the crucial parts of a distribution board and gain insights into



Overview of household distribution box

Let's introduce what is home distribution box. Many customers don't understand what is home distribution box and what kind of distribution box can be used at home. They won't choose.



Electric Distribution Box

A distribution board (also known as panelboard, breaker panel, electric panel, DB board or DB box) is a component of an electricity supply



Efficiently Installing a 50 Amp Sub Panel: A Complete

Learn how to wire a 50 amp sub panel for your electrical system. Follow these step-by-step instructions to ensure a safe and efficient installation.



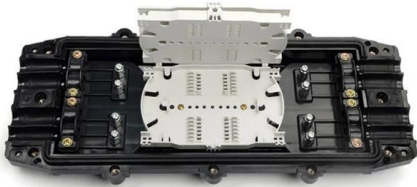
The Complete Guide to Distribution Box: Installation, Types & More

Blog The Complete Guide to Distribution Box: Installation, Types & More By Admin Aug 2, 2025
No Comments # distribution box Introduction
Electrical systems power our homes, offices, and



How to Install a Cable Distribution Box Safely and

In modern electrical systems, cable distribution boxes (also known as electrical distribution boxes or distribution boxes) play a crucial role as the key



50A POWER DISTRIBUTION BOX DATASHEET

Lind Equipment's 50A Power Distribution Box is a rugged and portable unit built for efficient jobsite power management. Its unique design provides easy access to electrical components while prioritizing



Download CAD files for Electrical Distribution Products

Download Schneider Electric Electrical Distribution CAD files in over 40 different file formats





How to Install a Distribution Box--A Comprehensive

Whether you are an electrical contractor or a construction brigade, knowing how to properly and safely install distribution boxes is the basis of



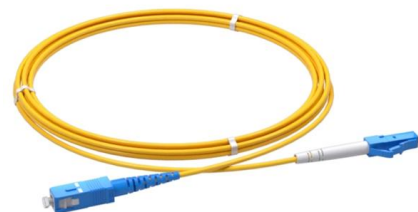
The Essential Guide to Understanding Electrical

Learn about the components and layout of an electrical distribution system diagram, including transformers, circuit breakers, and distribution panels.



7 Best Circuit Breaker Panels For Protection

Be it the electrical wiring of your residential or commercial use, having a circuit breaker is highly essential to prevent any electrical damage (surges) to



Complete Guide For Distribution Boxes Types

Distribution boxes, also known as electrical distribution boards or panels, are pivotal components in electrical systems, ensuring the safe and organized distribution of

50A Power Distribution Box



The Champion Power Distribution Box is easy to transport and set up, thanks to its compact design and convenient carry handle. Whether you need to power



Distribution Box

Find here Distribution Box, Distribution Box for Home manufacturers, suppliers & exporters in India. Get contact details & address of companies

Electric Distribution Box

Simple, low poly electrical distribution board. NoAI: This model may not be used in datasets for, in the development of, or as inputs to generative AI programs. Learn more.



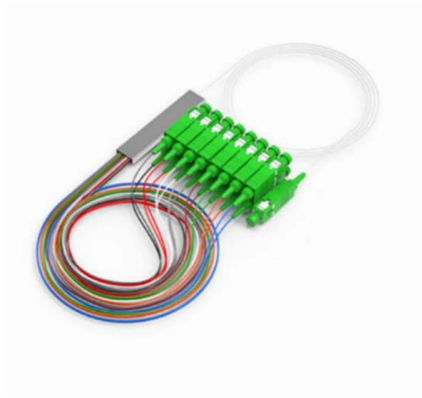
What is an Electrical Distribution Box? A

What is an Electrical Distribution Box? At its core, an electrical distribution box (or distribution board) is a metal or plastic enclosure that houses

Distribution Board Configurator



Here you can select the type of mounting of the small distribution board, the mains system, the desired type of connection and the need for surge protection using

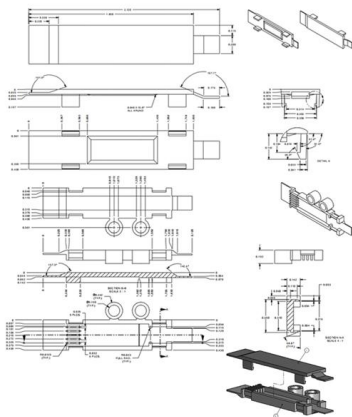


How to Choose a House Distribution Box , CHINT global

This article guides you through selecting a distribution box that is both affordable and safe, emphasizing key features, configuration, and practical

Electrical Distribution Box Design Guide

The document provides details for designing the electrical distribution box and circuits for a residence. It includes specifications for the main circuit breaker such



Electrical Control Panels & Distribution Boxes: Sizes,

Introduction Electrical control panels and distribution boxes are the backbone of modern electrical systems. From powering homes and industrial



Size determination, installation method and wiring mode

The distribution box is the central hub of the home circuit and the general control of our daily power consumption. It is an indispensable electrical equipment. If there



Distribution 3D Models download

214 Distribution 3d models found. Available for download in .blend .obj .c4d .3ds .max .ma and many more formats.

Contact Us

For datasheets, pricing, or custom high-speed optical interconnect solutions, please visit:
<https://www.syropy.com.pl>