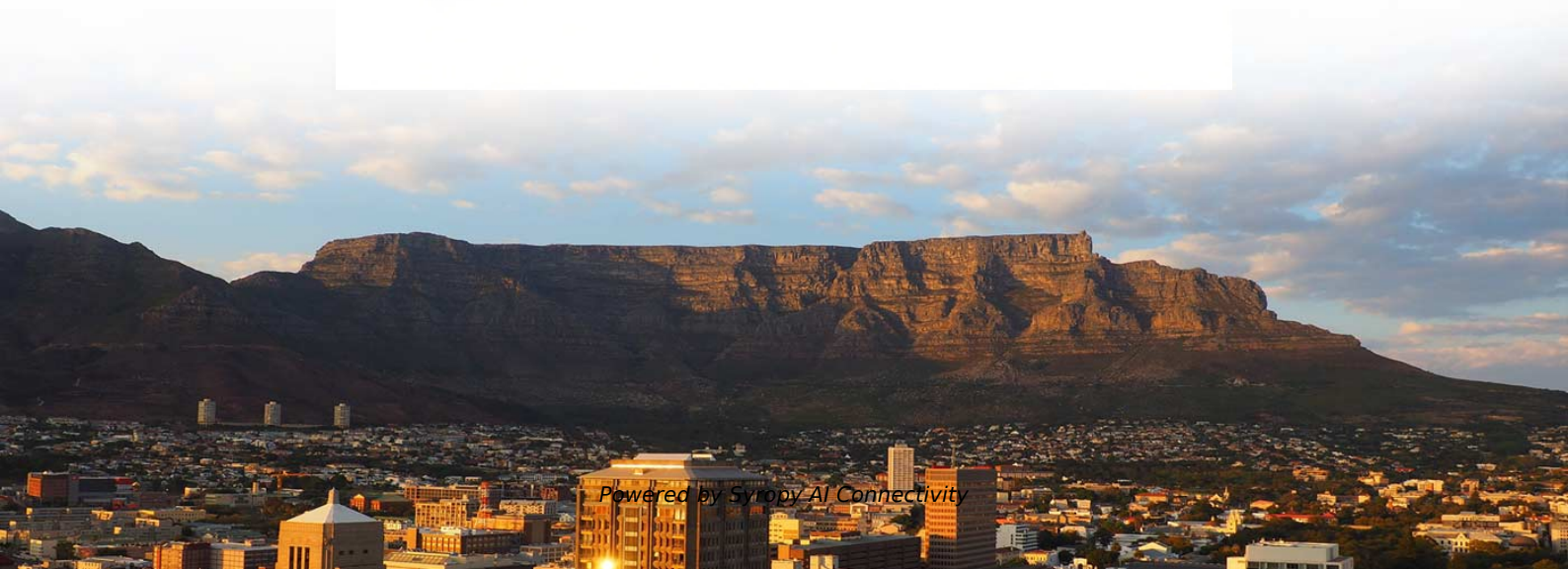


# **Minimum Temperature Requirements for Outdoor Fiber Optic Cable Laying**





## Minimum Temperature Requirements for Outdoor Fiber Optic Cable



### The FOA Reference For Fiber Optics -Outside Plant

Lashing Fiber Optic Cable To A Messenger Cable  
The installation process of a lashed aerial fiber optic cable will generally require one or more bucket trucks to

### Fiber Optic Installation Requirements: Complete Guide

Learn the different fiber optic cable installation requirements with our expert guide to ensure optimal performance and durability in your network.

#### Pre-Terminated Patch Panel

- Multi-application support
- Flexible configuration
- Modular design



Multi-functional Sliding Patch Box, Module



Modular Sliding Patch Box



Sliding Patch Box, Module

### Indoor and Outdoor Fiber Cable Installation Best

This guide explores different types of fiber optic cable, including indoor fiber optic cable and outdoor fiber optic cable, and outlines best practices



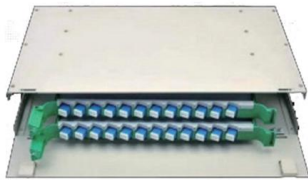
### Optical Fiber Cables for Indoor/Outdoor Applications

Outside plant cables must be capable of withstanding a variety of environmental and mechanical extremes. Such cables must offer excellent attenuation performance over a wide range



### How to Install Outdoor Fiber Optic Cable: Tips and Best

This article details outdoor fiber optic cable types, selection criteria, and professional installation guidelines. It focuses on how to choose durable cables for different



### FOA Standard For Installing Fiber Optic Cable Plants

High Fiber Count Cables: High fiber count cables are flexible ribbon cables which generally have 864 fibers, 1728 fibers, 3456 fibers or up to 6912 fibers. These cables are not designed for pulling but are



### 101 Guidelines for Fiber Optic Cable Installation

Never directly pull on the fiber itself. Fiber optic cables have Kevlar aramid yarn or a fiberglass rod as their strength member. You should pull on the fiber cable





## The FOA Reference For Fiber Optics- Installing Fiber

The normal recommendation for fiber optic cable bend radius is the minimum bend radius under tension during pulling is 20 times the diameter of the cable. When



## A Step-by-Step Guide to Fiber Optic Cable Installation

This beginner-friendly guide will walk you through the step-by-step process of fiber optic cable installation for each method,

## The FOA Reference For Fiber Optics -Outside Plant

This is a description of the processes used in outside plant (OSP) or outdoor fiber optic cable construction, basically what happens before and during the process of



## InstallGuide

This FOA Technical Bulletin describes recommended procedures for installing and testing cabling networks that use fiber optic cables and related components to carry signals for communications,



### Indoor and Outdoor Fiber Cable Installation Best

Explore best practices for installing indoor and outdoor fiber optic cables, including conduit, direct burial, riser, and aerial applications. Build stable,



### The FOA Reference For Fiber Optics -Outside Plant

The following items are key considerations in preparation for installing the fiber optic cable when the construction is ready for cable placement. Optical fiber cable

### Standard for Installing and Testing Fiber Optics

Ensure that all components and parts have been received, match quantities ordered (e.g. fiber optic cable contains the number and type of fiber ordered and is the length ordered), and that any



### Installation Precautions For Outdoor Fiber Optic Cables

Outdoor fiber optic cables are high-performance communication cables with the advantages of fast transmission speed, low loss, high bandwidth, anti



## Indoor & Outdoor Fiber/Ethernet Cabling Regulations

Learn the critical regulations for indoor/outdoor fiber and Ethernet cabling installations. This guide covers NEC compliance, cable ratings, proper



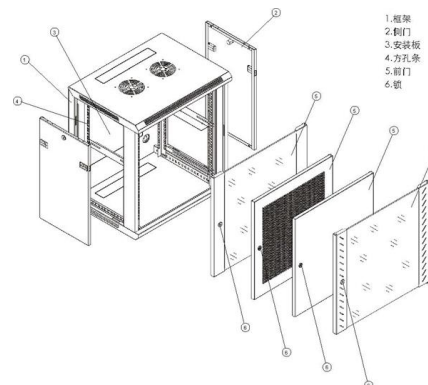
### Direct-Buried Installation of Fiber Optic Cable

The duct or innerduct should be rigid polyethylene or PVC with a minimum inside diameter that does not exceed a 65% fill ratio with a single cable installed; (for further details on fill ratios, refer to SRP-005



### Optical Fiber Cable Installation Guideline

The following contains information on the placement of fiber optic cables in various indoor and outdoor environments. In general, fiber optic cable can be installed with many of the same techniques used



### Outdoor Fiber Optic Cable: Installation & Selection Guide

Outdoor fiber optic cable guide: loose tube vs tight buffer, direct burial vs aerial, UV-resistant jacket, temperature ratings. IEC 60794 standards and selection criteria for OSP deployments.

### The FOA Reference For Fiber Optics -Outside Plant



The old story about the most likely fiber optic communications system failure being caused by "backhoe fade" is not a joke - it happens every day. But it reminds us



### The FOA Reference For Fiber Optics

The Installation After the process of designing fiber optic networks is completed, the next step is to install it. What do we mean by the "installation process?" Assuming

### GENERAL INFORMATION

Each fiber optic cable has a minimum bending radius specified by the manufacturer for installation and long term tensile load. The installation bend radius, the higher value, is the amount of bending radius



### Outdoor Fiber Installation Practices Explained for 2025

You need to tackle outdoor fiber installation with a sharp focus on extreme weather, soil corrosion, and environmental challenges. Following





## FOA Standard For Installing Fiber Optic Cable Plants

The type of fiber optic cable and the fibers in the cable should be chosen appropriate for the type of communications system(s) being supported, the type of installation and the environment in which the



### General Optical Fiber Cable Installation Considerations

NOTE: That indoor/outdoor cables have higher minimum temperature ratings due to the flexibility limitations of the jacket material. Check the cable data sheet for the specific installation and operating

### General Optical Fiber Cable Installation Considerations

[+] Cable Installation Temperature: The cable should not be installed in environments exceeding its specified maximum and minimum installation temperature. For loose tube and ribbon cable this is



### Wall Mount Cabinet Server Racks



### ITU-T Rec. L.163 (11/2018) Criteria for optical fibre cable

This Recommendation also describes how to mitigate the considerable risks and/or issues to which the optical fibre cable may be exposed when infrastructures are minimal during installation, maintenance



## **Underground Fiber Optic Cable Installation:**

Explore the process and benefits of underground fiber optic cable installation. Learn how this infrastructure investment can elevate your internet



## **Contact Us**

---

For datasheets, pricing, or custom high-speed optical interconnect solutions, please visit:

<https://www.syropy.com.pl>