

Materials of Optical Cable Crossing Protection Sleeves





Materials of Optical Cable Crossing Protection Sleeves

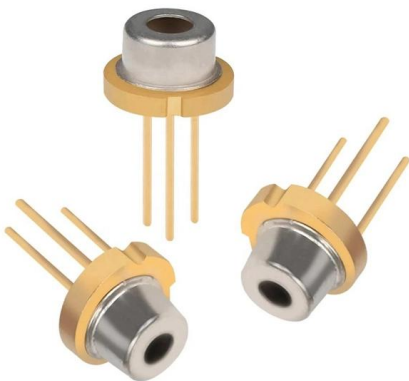


Cable Protection & Stabilisation

Cable Protection & Stabilisation With the network of pipelines and cables becoming more and more complex many pipelines have to cross over other operators'

Comprehensive Guide to Fiber Optic Splice Sleeve

Whether you're building new FTTH networks or maintaining existing ones, this guide will walk you through the types, materials, applications, and best



Splice Protection Sleeves

AFL offers a wide selection of fiber protection sleeves to meet any application. The FP-03 series is the industry standard for durable and lasting protection of single

Splice Protection Sleeve , OMC Fiber Optic Sleeves

The materials used for fiber splice sleeves vary, but they are usually made of durable and protective materials such as polyolefin or stainless steel. Polyolefin sleeves



What is a fiber sleeve

Elevate your fiber optic network's performance with our top-tier fiber sleeves, expertly crafted for compatibility with ADSS, fiber access terminals, access terminal



Fiber Optic Splice Protection Sleeves , Reliable Splice

The protection sleeve is meant to protect the splice joint and exposed fiber after



Fiber Optic Sleeve For Fusion Protection

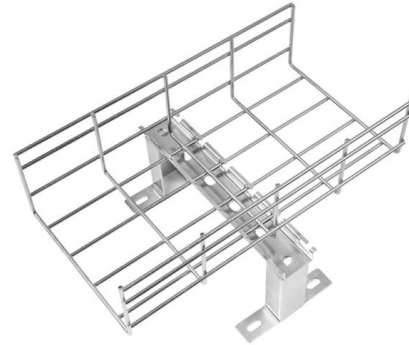
Fiber optic sleeve is a fusion protection sleeve to protect the splice joint and exposed fiber when two fiber optic cables are fusion spliced together.





Splice Sleeves Protection Fiber Optic , iFiber Optix

Splice Sleeves Protectors provide strength and protection to fiber-optic cables after fusion splicing. Ribbon Splice Protection Sleeve



Protection Sleeve , Telecommunication Systems Business Unit

Product information page for Fujikura's "Protection Sleeve." Fujikura's Protection sleeve protects optical fiber fusion splices from impact and bending, contributing to stable communication quality.

unsupervised_topic_modeling/topics/en/15/100/50/topics at master

Contribute to [annontopicmodel/unsupervised_topic_modeling](#) development by creating an account on GitHub.



Why do I need to use fusion splice protection sleeves?

Fusion protection sleeves can be broken down into basically two categories: single splice protection sleeves and ribbon splice protection sleeves and will most commonly be 40mm or 60mm



FAQS On Fusion Splicer Fiber Optic Sleeve Protection

In general, fiber splice protective sleeves are made of cross-linked polyolefins, shrink tubes from heating, hot and melted tubes, and single stainless



Optical Splice Protection Sleeves

Molex's optical splice protection sleeves with inner-sleeve ethylene vinyl acetate provide a moisture-resistant barrier after shrinkage and afford fusion splice

Fiber Protection sleeve

Fiber Protection sleeve is used for protecting and supporting the fusion splice point. Fiber Protection sleeve consists of a steel reinforcement, an inner fiber tube and



Different Types of Fiber Splice Sleeves

Whether you're splicing single fibers, drop cables, microfibers, or ribbon cables, our splice sleeves provide the best in durability, protection, and reliability.

Fiber Optic Protection Sleeves , Fiber Xpress Mart



Fiber splice sleeves, also known as fusion splice protectors, serve a crucial purpose in FTTH installations. These slim, tube-like sleeves are designed to protect and



Optical Fiber Protection Sleeves

The product contains cross linked polyolefin, hot fusion tubing and stainless reinforcing steel rod which keeps optic transmission properties of optical fiber and enhance the protection to optical fiber splices.



Thorlabs · Temporary Fiber Splices

Our Splice Protector Sleeves (SPS40 and SPS60) can fit fibers with an outer diameter up to 900 μm, protecting the spliced fibers from bending or flexing at the



Application Notes

Abstract The cable jacket provides the first line of defense against the surrounding environment. It resists water entry while remaining inert to gases and liquids that the cable may be exposed to



optik vision gold 200pc Heat Shrinkable Protection Sleeves Fiber

Buy optik vision gold 200pc Heat Shrinkable Protection Sleeves Fiber Optical Fusion Splicer Machine Heat Shrink Cable Sleeve for Rs.650 online. optik vision gold 200pc Heat Shrinkable Protection



Fibre Optic Fusion Splice Protection Sleeve / Protector

Splice protector is specially designed for fibre optic cable. This splice protector consists of a cross-linked polyolefin sleeve for protection, a steel rod (ceramic rod

FinishAdapt

Our single fusion splice protector sleeves are suitable for single and multimode optical fiber from 250 μm up to 900μm and multiple mass ribbon fiber protection



More products



All You Need to Know About Fiber Protection Sleeves

Protection sleeves are commonly used when two fibers are fusion spliced together. The protection sleeve is meant to protect the splice joint and



SPLICE PROTECTION SLEEVES

This document describes the Generic Requirements of the Splice protection sleeves used for Ribbon type optical fibre. The purpose of the splice protection sleeves is to provide protection and



Contact Us

For datasheets, pricing, or custom high-speed optical interconnect solutions, please visit:
<https://www.syropy.com.pl>