

# **Manufacturer of bend-insensitive low-loss optical fiber**





## Manufacturer of bend-insensitive low-loss optical fiber

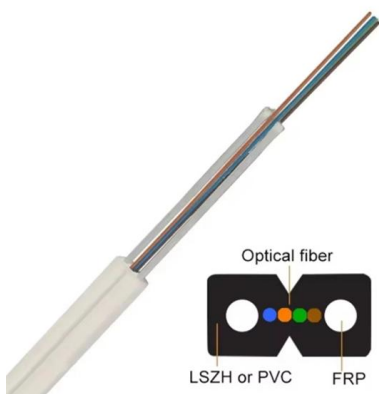


### FlightLinx® PLUS Fiber Optic Cable - Single-mode Bend-Insensitive

TeraWave® ULL Single-Mode Optical Fiber  
TeraWave® ULL Single-Mode Optical Fiber is a 125  $\mu\text{m}^2$  large area, ultra low loss ITU-T G.654.B and ITU-T G.654.E fiber designed for terrestrial optical

### The FOA Reference For Fiber Optics

Considering the advantages of BI fiber and the small incremental cost to manufacture it, some manufacturers have decided to make all their 50/125 MM fiber bend



### Top 3 Bend-Insensitive Fiber Patch Cable Brands for FTTH (2026)

Corning vs CommScope vs Wolon. We compare the best bend-Insensitive Fiber Patch Cable fiber patch cords and reveal the real factory cable cost (just \$0.15/unit).

### HFCL , Best Optical Fiber Manufacturers Catering the

Flexi Arch is a single mode fiber that is bend



insensitive with low water peak attenuation in the entire bandwidth range. This fiber offers reduced macro bend



### **Bend-insensitive optical cable**

Find your bend-insensitive optical cable easily amongst the 7 products from the leading brands (Yangtze Optical Electronic, T& S Communications, YOCF, ) on DirectIndustry, the industry specialist for your

### **Ribbon Fiber Optic Cable Market Trends and Insights**

The highly specialized nature of ribbon fiber optic cable manufacturing requires precision machinery and highly skilled labor, leading to lead times of 8-16 weeks for custom high-fiber-count



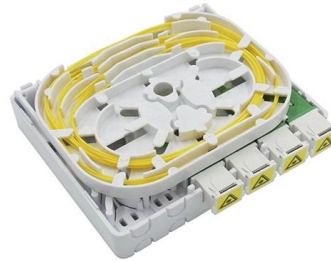
### **How will fiber and equipment vendors meet the increased demand for**

Fiber optic network equipment vendors like Ciena and Nokia are preparing for increased demand in 2026 by significantly ramping up production of high-speed optical components (like 800G



## Fiber Optic Bend Radius Standards 2025 - Topfiberbox

Key Takeaways Always keep the fiber optic cable bend radius at least 20 times the cable diameter during installation and 10 times after installation to

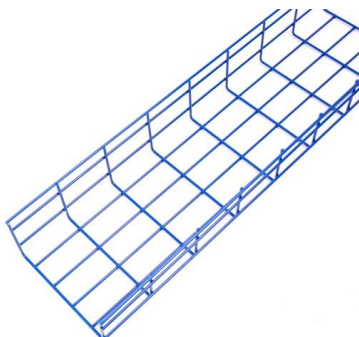


### **bend insensitive fiber Manufacturer,Supplier**

With deep collaborations across domestic and international optical cable manufacturers, we possess large-scale production capabilities to meet large order demands.

### **ClearCurve® Multimode Fiber , High Data Rate Laser**

As the inventor of bend-insensitive optical fiber, Corning ensures quality and reliability by measuring key attributes, including effective modal bandwidth on



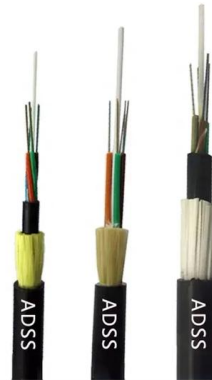
### **Fiber Optic & Cable Standards Guide , FiberMania**

ITU-T G.657 -- Bend-Insensitive Single-Mode Fiber  
G.657 defines bend-insensitive single-mode fibers, which are compatible with G.652 but provide



## Recommendation ITU-T G.657 (08/2024) -

This document outlines the specifications for ITU-T G.657 optical fibers, which are designed for improved bending loss performance compared to ITU-T G.652



### Differences Between G.652, G.655, and G.657 Fiber Types

3. G.657 Fiber (Bend-Insensitive Fiber) Designed for tight-radius applications such as FTTH and premises routing. Key characteristics: Trench



### Fiber Optics Market Size & Share , Industry Report, 2033

Newer fiber types, including bend-insensitive and ultra-low-loss variants, are enabling more flexible deployment in dense environments. Enhanced optical



### Polarization Maintaining Fiber (PM Fiber) , OEM Optical

High performance properties of polarization maintaining (PM) fiber include excellent birefringence and low attenuation Field-Proven as the Industry Standard PANDA



### 5 Types of Fiber Optic Cables Suitable for 5G, How



Recognizing this need, numerous fiber manufacturers have introduced bend-insensitive fiber (BIF) cables with minimal signal loss, specifically tailored to

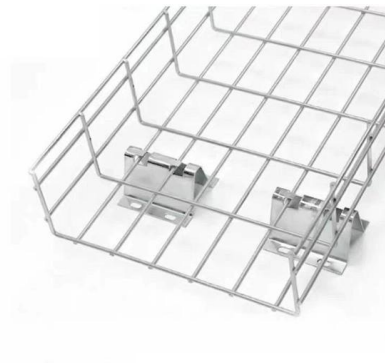


### **Top 5 Fiber Optic Cables Types for 5G Network**

Many fiber manufacturers have announced bend-insensitive fiber (BIF) cables with low loss to address such problems in 5G indoor applications.

#### **BendBright-XS Single-Mode Optical Fiber**

Draka BendBright-XS fiber combines two attractive features: excellent low macro-bending sensitivity and low water peak level. Together they allow unlimited use of the whole telecom wavelength window for



#### **Communication Optical Fibre**

GL FIBER ® Plus bending insensitive single-mode fibre combines two attractive features: excellent low macro-bending sensitivity and low water-peak level. It is comprehensively optimized for use in O-E-S



## Multimode Optical Fibre , Birla Furukawa Fibre Optic Manufacturer

LaserWave FLEX Fiber offers extremely low bending loss at both the 850 and 1300 nm operating windows, while maintaining excellent long term fiber strength and reliability.

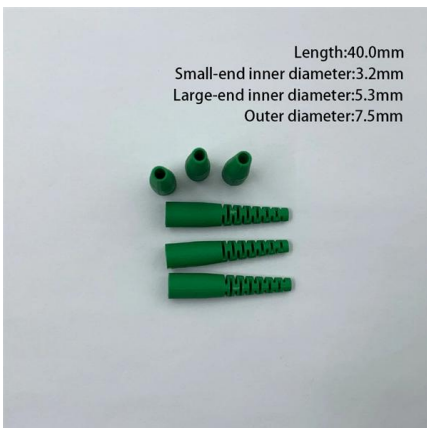


## Large-Scale Production Technology for G.657 Fiber with Ultra Low

Abstract A low-cost, large preform with OD up to 200 mm design and manufacturing process for the highest performing G.657 fiber is described. The fiber surpasses G.657.A2 bending-loss while

## Bend-Insensitive Fiber: What It Is And Why It Matters

What "bend-insensitive" actually means Bend-insensitive fiber (BIF) is a class of optical fiber specially designed to minimize macrobending and microbending



## Fiber Optic Bend Radius Standards 2025 - Topfiberbox

Use bend-insensitive fiber optic cables in tight spaces to reduce signal loss and allow sharper bends, but still follow manufacturer guidelines for



### **Yofc G. 657. A1 Easyband® Low Loss Bending Insensitive Single**

EasyBand® Low Loss Bending Insensitive Single-mode Fibre is fully compatible with standard normal single-mode Fibre, and thoroughly meets multiple demands of multi-channel, high bit-rate, long



### **10 Best Fiber Optic Manufacturers for 2026**

Bend-Insensitive Fibers: Advanced cable designs achieving 10x reduction in micro-bend loss for dense data center environments G.654.E Ultra

### **Top 10 Lc Connector Fiber Supplier In The United States**

Industry rankings place Corning as the #1 fiber optic cable manufacturer in the United States. Their solutions power critical telecommunications infrastructure around the world.



### **What Is the Advantage of G657B3 Fiber? Future Trends and Market**

As AI drives higher server density, intra-rack cabling requires fibers that can bend sharply without signal loss. For AI fabrics moving toward LPO/CPO optics, the demand for premium low-loss OS2 cabling



## **Polarization-Maintaining Single Mode Optical Fiber**

Features Maintain Polarization State of Input  
PANDA or Bow-Tie Fiber Specialized  
Photosensitive, Dispersion-Compensating, and  
Bend/Temperature-Insensitive



## **Contact Us**

---

For datasheets, pricing, or custom high-speed optical interconnect solutions,  
please visit:  
<https://www.syropy.com.pl>