

Maintenance and maintenance of 25G coherent optical modules





Maintenance and maintenance of 25G coherent optical modules

400G ZR/ZR+ Coherent Optical Technology - MapYourTech



Enter 400G ZR and ZR+ coherent optical technology--a revolutionary approach that integrates advanced coherent detection capabilities directly into compact, pluggable transceiver

25 Gbps Optical Modules

MACOM delivers industry widest portfolio of chip-sets for 25Gbps Long Reach (LR) and Short Reach (SR) optical modules, Active Optical Cables (AOC) and On-Board Optics (OBO).

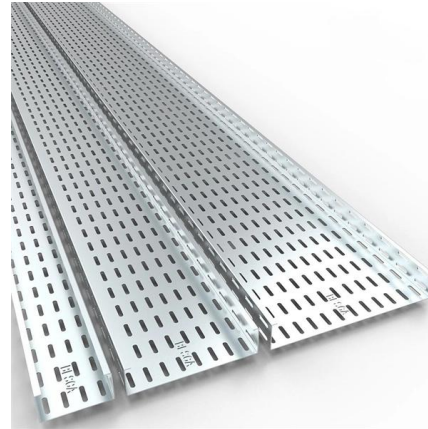


SFP vs. QSFP: Differences, Use Cases, and How to Choose

SFP modules rarely exceed 1.5 W, allowing fanless or low-airflow switch designs. QSFP28 modules routinely operate at 3.5-5.5 W, requiring high-efficiency airflow management. QSFP-DD coherent

SFP MSA Standards: Technical Guide for Optical Modules

Understand MSA standards for optical transceivers: origin, role, types, specs, compatibility impact, procurement checklist, and deployment best practices.



White Paper: Management of Smart Optical Modules

In this white paper we explore how the DWDM functions, parameters, and operational aspects of "smart" optical pluggable modules can be handled more efficiently in order to deal with the



Fiber Optic Connector Types: Full Comparison & Selection Guide

Fiber Optic Connector Types: Full Comparison & Selection Guide LC, SC, FC, ST, MPO/MTP compared: ferrule sizes, polishing types, insertion loss, and a decision flowchart to



Who are the Top Optical Transceiver Manufacturers?

Discover the top optical transceiver manufacturers in 2025, including industry leaders like Coherent Corp., Lumentum Holdings, Broadcom Inc., and InnoLight





25G Optical Transceivers for Hyperscale Data Centers

Discover how LINK-PP 25G SFP28 optical modules enhance hyperscale data centers with high bandwidth, low latency, and energy efficiency. Learn key benefits and use cases.



400G, 800G, and Terabit Pluggable Optics

Pluggable solutions are leading option for coherent interfaces -including 100G now 400G coherent solutions (and standards) are mature with lots of deployment options 800G coherent solutions (and

What is 800G CFP2-DCO Coherent Optical Module? , GLSUNMALL

GLSUN's 800G CFP2-DCO is a pluggable, digital coherent optical transceiver designed to transmit and receive data at 800 Gbps over optical fiber. It uses coherent detection techniques,



FIBER OPTICS FOR INDUSTRIAL APPLICATIONS

FIBER OPTICS FOR INDUSTRIAL APPLICATIONS
The Industrial Internet, also known as Industry 4.0, is bringing greater speed and efficiency to industries such as factory automation, rail transportation,



Coherent Optics Technologies and Applications for Next-Generation

The development of optical coherent technologies has been a remarkable technical achievement. As indicated in Fig. 2, there has been a trend of introducing a new generation of coherent optical



Transceiver Choices for Metro/Access vs Long-Haul Telecom

A practical guide to choosing transceivers for metro/access vs long-haul networks. Compare direct-detect and coherent optics, wavelength strategies, reach classes, and key design trade-offs.

Optical Modules Market Size, Share, Growth , CAGR Forecast 2033

Optical Modules Market Overview Optical Modules market size is estimated at USD 13,820.75 million in 2025 and is projected to reach USD 26,940.82 million by 2033, growing at a CAGR of 8.45% from



Consideration on optical management for network maintenance

Automated and intelligent management of optical modules and network could contribute to enhancing the reliability of AI clusters. Here we share our view on the necessity of OAN and OLT to support link



25G DWDM 15km Multi-Rate Tunable SFP28 with APD

FTLF6836P1BNL transceivers are Enhanced Small Form Factor Pluggable Tunable SFP28 transceivers designed for use in 25Gb/s links up to 15km of G.652 single

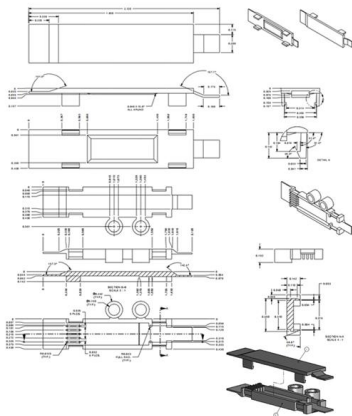


Optical Distribution Frame (ODF) in Telecom: Types & Uses

In the intricate web of modern telecom networks, where fiber optic cables crisscross continents and data flows at terabits per second, organization and protection of fiber connections are

Understanding Optical Transmission Windows: A Complete Guide for

Optical transmission windows are more than theoretical constructs--they're engineering blueprints for building high-performance, scalable, and cost-effective optical networks. By



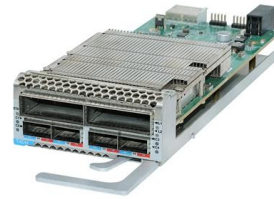
The Future of Telecommunications: Next-Generation

Are you curious about the next-generation coherent modules and how they are shaping the future of telecommunications? Join me as we dive into the



Optical Transport Network (OTN):A comprehensive study

The Optical Transport Hierarchy (OTH) is a new transport technology for the OTN developed by the ITU. It is based on the network architecture defined

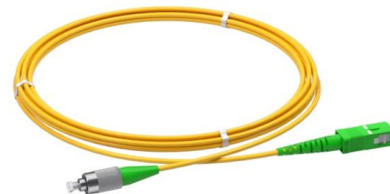


Optical Module Maintenance and Cleaning: Tips for

Knowing how to clean SFP modules, performing routine SFP maintenance, and maintaining your optical module will avoid downtime and

25GBASE-LR SFP28 1310nm 10km DOM Duplex LC/UPC SMF

This feature allows real-time monitoring of various parameters, including optical power, temperature, and receive/transmit status. It helps in troubleshooting and monitoring the performance of the module.



Cisco Optics , Transform Your Network

Accelerate your migration to 100G and 400G and maximize the port use on switches and routers with Cisco optics that are rigorously tested, qualified, and validated.



Development Trends in Optical Module Technology:

Cost is an ever-present factor. Traditional optical modules come with high manufacturing and maintenance expenses, limiting their scalability for



Essential Tips for SFP Modules Maintenance

Learn how to clean, operate, and monitor SFP optical transceivers to improve network reliability and extend the life of the SFP modules.

What is a Tunable DWDM Optical Module? What is its function?

Tunable DWDM optical modules enable dynamic wavelength switching across 96 C-band channels via software commands. Unlike fixed-wavelength designs, they reduce spare part types by over



Unveiling the Future of Optical Networking: The 100G

Discover the future of high-speed communication with the 100G coherent transceiver. Explore advanced optical transceiver modules, including





Coherent Optical Modules and DCI BOX Solutions , GIGALIGHT

GIGALIGHT's 400G CFP2 DCO digital coherent optical transceiver modules are designed for 100G/200G/400G Ethernet and OTN links, meeting the demands of high-bandwidth data center



25GBASE-LR SFP28 Optical Transceiver GSS-SPO250-LRCC

The electrical interface uses a 20 contact edge type connector. The optical interface uses duplex LC receptacle. This module incorporates Gigalight Technologies proven circuit and technology to

Contact Us

For datasheets, pricing, or custom high-speed optical interconnect solutions, please visit:
<https://www.syropy.com.pl>