



**Syropy AI Connectivity**

# **Low-noise SC fiber optic connectors for photovoltaic power plants OEM**



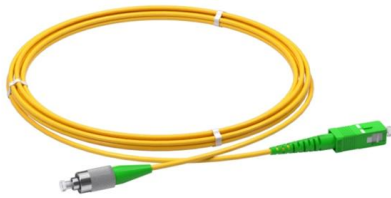


## Low-noise SC fiber optic connectors for photovoltaic power plants

---

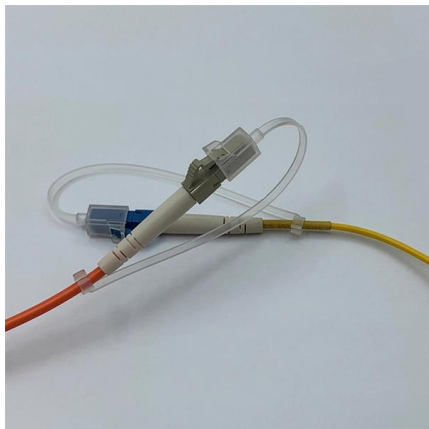
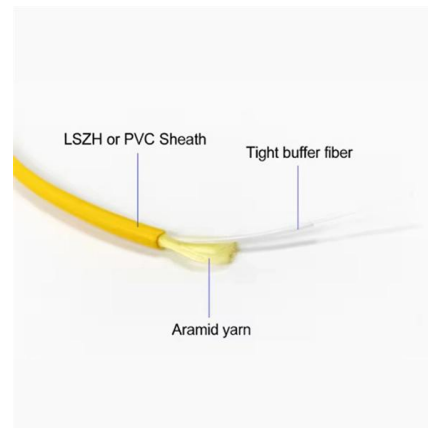
### SC Fiber Optic Connectors

Multimode connectors provide a robust and easy to terminate solution for lower cost fiber-to-the-desk applications. Singlemode connectors provide added bandwidth capacity for data hungry applications.



### Understanding SC/APC Fiber Optic Connectors: A

Discover everything you need to know about SC/APC fiber optic connectors in our comprehensive guide. Learn about their applications, benefits,

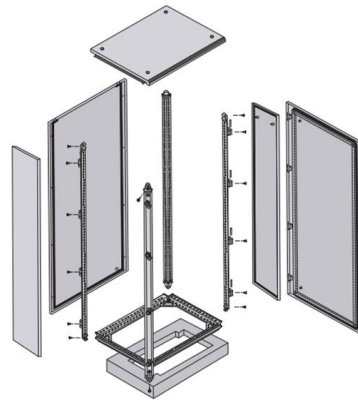


### AV02-1812EN WP Solar-Energy 26Jul2012 dd

Fiber optics communication can cover longer link distance connections compared to copper wire. As the solar farms grow in size, monitoring and controlling all the solar panels requires long link distance

### Fiber Optic Connector Types: SC, LC, ST, FC, MTP/MPO, Weunion

This in-depth guide explores the technical nuances, applications, and best practices for major fiber connector types--SC, LC, ST, FC, and MTP/MPO--empowering engineers and network planners to



### LC Vs SC Vs FC Vs MPO Fiber Optic Connectors:

Compare LC, SC, FC, ST, MPO & MTP fiber optic connectors with expert insights. Learn which connector fits your data center or enterprise network



### Fiber Optic Connectors Explained: LC, SC, and ST

An SC fiber connector, short for Standard Connector, is a widely used fiber optic connector known for its durability, reliability, and ease of use. In



### SC Connector , IEC-Compliant, High-Precision Fiber

The SC connector by DIAMOND SA is an IEC-compliant fiber optic solution offering high precision, low insertion loss, and push-pull operation. Ideal for telecom,



### Fiber Optic Connectors Guide: LC vs SC vs



## FC vs ST vs MTP/MPO -

Choosing the right fiber optic connector hinges on balancing network requirements (density, speed, environment) with cost and ease of use. LC leads in modern high-density networks,



## LC vs SC Fiber Connectors: Key Differences and Where

Fiber optic networks rely on connectors to ensure seamless communication and reliable performance. Among the most common connectors

## IEC standards for fiber optic connectors: Standard

SC fiber optic connectors achieve insertion losses of 0.2-0.3 dB with high mechanical stability according to established IEC standards. The robust



## Fiber Optic Cable Assembly Guide , LC, SC & ST Connectors Explained

Learn how to select and test LC, SC, and ST connectors for reliable fiber optic cable assemblies. Includes polish types, OFC



## Fiber Optic Applications in Solar Power Plant

Fibre optic technology has proved itself in present communication system. The same high speed long, distance communication networking can apply in solar farm. This paper discusses the application of



### FS Community

Hier sollte eine Beschreibung angezeigt werden, diese Seite lässt dies jedoch nicht zu.

### Optical fiber connector

Optical fiber connectors are categorized into single-mode and multimode types based on their distinct characteristics. Industry standards ensure compatibility



### High Speed Fast Connector-OEM Fiber Solutions

Each fiber optic fast connector is tested for insertion loss, return loss, and signal continuity before shipping. After these checks, you can trust the connector to



## Fiber Optic Cable Connector Types Explained

In these applications, many people rely on ruggedized LC or M12 fiber connectors because they withstand vibration, chemicals, and electrical noise



## Fiber Connector Types: A Comprehensive Guide 2025

Discover the common fiber connector types. Learn the differences, uses, and best practices for SC, LC, ST, FC, MPO/MTP connectors.

## Fiber Connector Types: A Complete Guide (2024)

A fiber connector is a precise coupling device to join fiber cables quickly. This guide introduces LC, SC, FC, ST, MPO, CS and many others.



## AscentOptics

Hier sollte eine Beschreibung angezeigt werden, diese Seite lässt dies jedoch nicht zu.



## SC Terminator

The SC fiber optic terminator is the most popular connector interface within Fiber optics and is designed remove the back reflection from the unused open ports



## Photovoltaic connectors Product overview 2026

Consistent connection technology from the photovoltaic panel to feed-in We have the right connection solution for you - from connection technology for photovoltaic panels and DC connectors for field



## Fiber Optic Connector Types: SC, LC, ST, FC, MTP/MPO , Weunion

As a leading provider of fiber optic solutions, Weunion understands the critical role of connectors in modern networks. This in-depth guide explores the technical nuances, applications, and best



## What is an SC cable and how does it work? - Fiber

An SC cable, often referred to as an SC connector cable, is a type of fiber optic cable terminated with SC (Subscriber Connector) connectors on both



## Understanding SC vs. LC Fiber Connectors: A

Learn about the differences between SC and LC fiber connectors in this comprehensive guide for fiber optic cables. Explore connector types,



## Understanding Fiber Connector Types ST SC LC FC

Understanding fiber connector types--SC/APC, SC/PC, LC/UPC, LC/APC, ST/PC, FC/PC, and FC/APC--is essential for selecting the right interface for your

## Optical-fiber cabling in utility-grade solar arrays

Utility-scale solar "farms" require a distributed control network to monitor and control the production, aggregation and flow of electrical energy from the



## Fiber Connectors

CommScope offers a variety of low-loss LC, SC, SN and MPO fiber optic connectors that deliver superior mechanical and optical performance.



## Fiber Connectors

Fiber Optic Connectors are used to connect two runs of fiber optic cable and consist of an adapter assembly along with two plugs. The most popular versions include, push-on Square Connectors



## Contact Us

---

For datasheets, pricing, or custom high-speed optical interconnect solutions, please visit:

<https://www.syropy.com.pl>