

# Long optical cable line





## Overview

---

A fiber-optic cable, also known as an optical-fiber cable, is an assembly similar to an electrical cable but containing one or more optical fibers that are used to carry light. The optical fiber elements are typically individually coated with plastic layers and contained in a protective tube suitable for the environment where the cable is used. In September 2012, NTT Japan demonstrated a single fiber cable that was able to transfer 1 per second (10 bits/s) over a distance of 50 kilometers. This list includes both standards-based and real-world technical cable types utilized in fiber-optic infrastructure, telecoms, enterprise, and outdoor applications.



## Long optical cable line

---



### Fiber Optic Cable Distance: A Comprehensive Guide

Fiber optic cables are the backbone of modern communications, enabling high-speed data transfer over vast distances. Unlike traditional copper

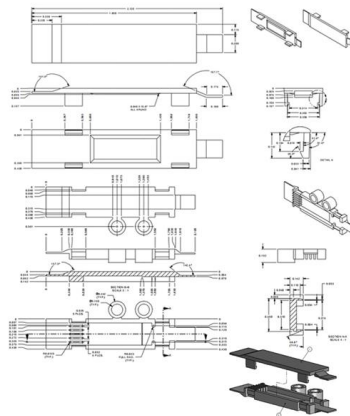


### Understanding Long Distance Fiber Optic Runs for New

Setting up a long-distance fiber optic link involves selecting the right hardware, understanding how wavelengths affect your setup, and ensuring proper

### What Is the Longest HDMI Cable? Understanding the

Explore the longest HDMI cable options here. Understand how far HDMI signals can be transmitted and learn tips for managing long HDMI cables effectively.



### The Ultimate Guide to Fiber Optic Cable: Understanding

What is Fiber Optic Cable, and How Does it Work? Introduction to Fiber Optic Cable A fiber optic cable is a cable that uses thin fibers of glass or



### Online Bulk Cable Company , CableWholesale

As a premier online bulk cable company, CableWholesale carries a large inventory of computer cables, USB, HDMI, fiber optic, VGA cables, and more. Shop now!



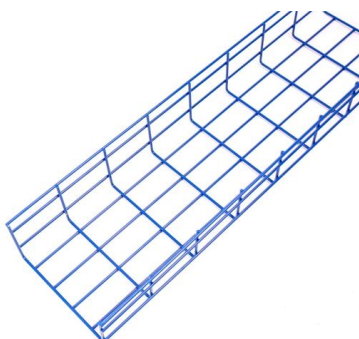
### How Long Can an Optical Audio Cable Be? A Comprehensive Guide

In today's digital era, audio technology has advanced significantly, offering numerous ways to connect devices and transmit high-quality sound. However, when it comes to optical audio cables,



### How does a fiber optic cable work?

Over the last 20 years or so, fiber optic lines have taken over and transformed the long distance telephone industry. Optical fibers are also a huge part of making





## Data cable/line , Fiber optic cables , LAPP Online Shop

Fiber optic cables are the first choice when it comes to high data rates, EMC interference immunity and long transmission distances in harsh industrial environments.

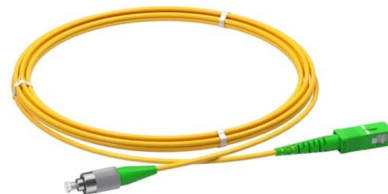


### Long Haul

They are less expensive, weigh less, and are easier to maintain than standard cable lines. Flowing over long distances without degradation, fiber optic cables use light

### Fiber-optic communication

Optical fiber is generally chosen for systems requiring higher bandwidth, operating in harsh environments or spanning longer distances than electrical cabling can



### Fiber Optic Cable Types: A Complete Guide

Fiber Optic Cable Type FAQs What are the three types of fiber optic cable? The three main types of fiber optic cable are single



## How Fiber-Optic Cables Transmit Data Over Long

Fiber-optic cables revolutionize long-distance data transmission using light, outperforming copper cables significantly. This exploration examines their



## Fiber Optic Cables: Digital Audio & Optical Cables -

Shop Best Buy for fiber optic cables. Enhance your entertainment setup with high-quality audio and visuals with fiber connectors for ultra HD TVs and stereos.



## Fiber Optic Cable Types Explained

Our comprehensive guide to types of fiber optic cables. Learn all about the differences between single mode and multimode cables, as well as the various



## Fibre Optic Cable

Multiple Applications: Fibre optic technology is used in a variety of applications, including internet connections, telephone networks, cable television, data centres, medical equipment, and military





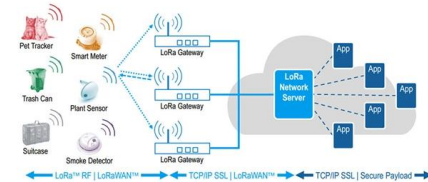
### Amazon : Long Optical Cable

Discover long optical cables for crystal-clear digital audio. Find fiber optic Toslink cables in various lengths for soundbars, TVs, and gaming systems.



### Long-Haul Terrestrial Fiber Networks , Long Haul

For long-haul fiber networks, Corning's innovative line of advanced optical fibers drive next-generation design capabilities in reach, bit rate, and capacity.



### Fiber-optic cables , Phoenix Contact

The cables and lines are up to 90% lighter and thinner than copper cables, and yet enable longer transmission routes and higher data rates of up to 40 Gbps or more.



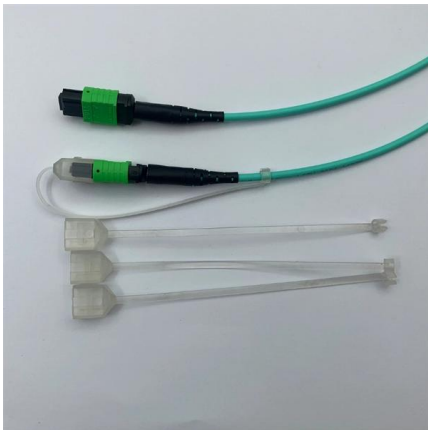
### HFCL

General Purpose Loose Tube Cable General Purpose Loose Tube Cable is extensively employed in Long-haul telecommunications and outdoor installations.



## ADSS Fiber Optic Cable: What They

In the realm of aerial fiber optic infrastructure--where cables must withstand harsh weather, high voltages, and mechanical stress-- ADSS (All Dielectric Self-Supporting) fiber optic



## What Is Fiber Optics? Definition from SearchNetworking

Fiber optic cables are commonly used because of their advantages over copper cables. Some of those benefits include higher bandwidth and

## How does fiber optics work?

Another type of fiber-optic cable is called multi-mode. Each optical fiber in a multi-mode cable is about 10 times bigger than one in a single-mode

Motor protection controller



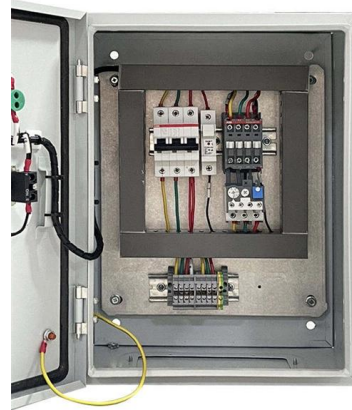
## Outdoor Fiber Optic Cable , Outside Plant Fiber (OSP) Cable

Fiber optic cables for outdoor applications are engineered to withstand the more demanding conditions seen outside, from environmental extremes to mechanical forces. These are the outdoor fiber optic



### Long single-span fiber optic lines: How to reduce the cost?

The record length of single-span line models obtained in the world's leading research laboratories now exceeds 400 miles. However, to achieve such



### The FOA Reference For Fiber Optics

The normal recommendation for fiber optic cable bend diameter is the minimum bend diameter under tension during pulling is 20 times the diameter of the cable. When

### Amazon : Long Optical Audio Cable

1-16 of over 2,000 results for "long optical audio cable" Results Check each product page for other buying options.



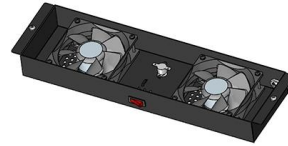
### What Is Fiber Optic Cable?

A fiber optic cable is a long-distance network telecommunications cable made from strands of glass fibers that uses pulses of light to transfer data.



## Fiber-optic communication

An optical fiber patching cabinet. The yellow cables are single-mode fibers; the orange and blue cables are multi-mode fibers: 62.5/125  $\mu\text{m}$  OM1 and 50/125  $\mu\text{m}$



## How Long Can An Optical Cable Be?

The length of an optical cable can vary significantly depending on the type of fiber used, the application, and the equipment supporting the network.

## Contact Us

---

For datasheets, pricing, or custom high-speed optical interconnect solutions, please visit:  
<https://www.syropy.com.pl>