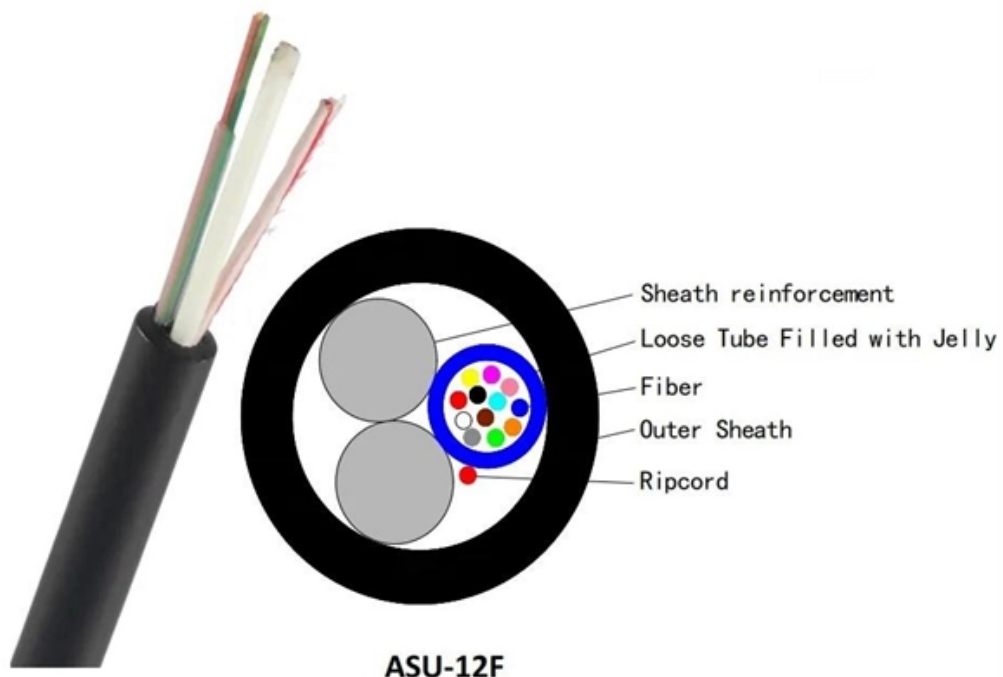


Lithium batteries with relay protection





Lithium batteries with relay protection



Designing safe and long-life lithium-ion batteries via a solvent-relay

Is nonflammability of electrolyte overrated within the total security efficiency of lithium ion batteries? A sobering revelation from a totally nonflammable electrolyte.



Battery Relay: Functions, Types, and Applications

Learn what a battery relay is, how it works, key types, and selection tips. Improve system safety and performance with the right battery relay switch.

3. System design and BMS selection guide

Up to 20 Victron Lithium Smart batteries in total can be used in a system, regardless of the Victron BMS used. This enables 12V, 24V and 48V energy storage systems with up to 102kWh (84kWh for a 12V)



JM Energy Factory LiFePo4 Lithium Solar Battery

JM Energy Factory Offers Custom Inverter And Lithium Battery All in One, LiFePo4 Batteries, Lithium Battery Pack, Power Battery, Home Energy Storage, Industrial



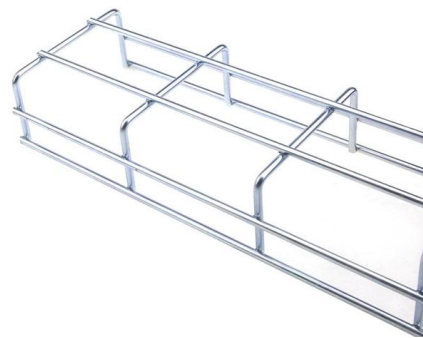
Battery management system

A battery management system (BMS) is any electronic system that manages a rechargeable battery (cell or battery pack) by facilitating the safe usage and a



Safe, long-life lithium batteries via solvent-relay

Chen L, Wang J, Chen M, et al. "Dragging effect" induced fast desolvation kinetics and -50 °C workable high-safe lithium batteries. Energy Storage Mater, 2024, 65: 103098



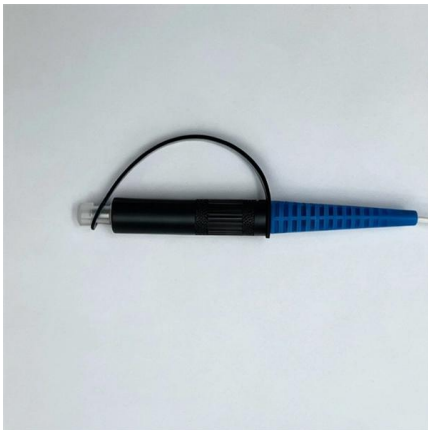
Lithium Battery Pack Protection and Control

Safety and ageing concerns in Lithium battery applications highlight the critical need for advanced protection and control solutions in the market. Adoption of electric vehicles, both in the automotive



Mastervolt Charge Mate Pro Lithium 40

Charge Mate Pro Lithium 40 Current limited electronic charge relay with high efficiency and reverse current protection A secondary battery on board requires a dedicated charging solution. The Charge



Panasonic Industry Europe GmbH , Industry Sector Partner

Visit us on the smarter E Europe 2026 Discover market-leading relay technologies powering the next generation of smart applications at Hall C5, booth 374.



Battery protection selection guide

Mishandling lithium batteries can lead to serious failures like thermal runaway, lithium plating, electrode decomposition, etc. Consequently, such batteries require special care in stressful conditions such as



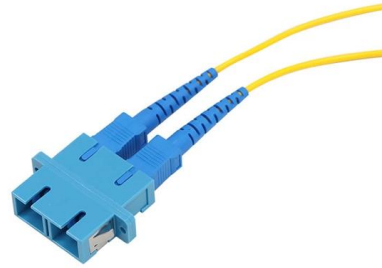
VEVOR Dual Battery Isolator Kit 12V 300 Amp 20 ft 2AWG Manual

The dual battery isolator kit automatically adjusts charging voltage according to different battery types; It is widely compatible with various lithium batteries and lead-acid batteries, ensuring that different



Charge Mate Pro 40 , Battery management , Mastervolt .

Charge Mate Pro 40 Current limited electronic charge relay with high efficiency and reverse current protection A secondary battery on board requires a dedicated charging solution. The Charge Mate

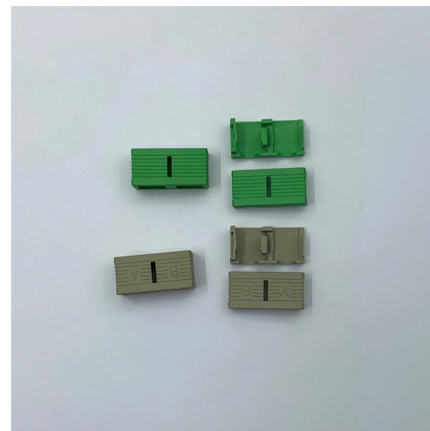


Designing safe and long-life lithium-ion batteries via a

Ion association in electrolytes enables a robust protective layer on battery electrodes but compromises thermal stability. Here Yi-Chun Lu and

Battery protection units (BPU) , Infineon Technologies

A battery protection unit (BPU) prevents possible damage to the battery cells and the failure of the battery, enhancing the useful operating life of lithium-ion batteries by



Lithium-Ion Battery Safety

Lithium-ion batteries are found in the devices we use everyday, from cellphones and laptops to e-bikes and electric cars. Get safety tips to help prevent fires.



Short Circuit Protection Using Relay for Batteries

In this tutorial, we will see how to make a short circuit protection using Relay. Many times accidentally terminals of batteries and other power supplies



Lithium Ion Battery Safety with Fuses & Circuit Breakers

Battery cell design with integrated short circuit protection to prevent thermal runaway. The battery cell has a coil with electrodes and an electrical connection to the cell terminals.

Smart Lithium Battery Protection with Inverter

Battery Protection Problem with Inverters
Traditional methods for protecting a battery from total discharge was to place a Voltage Sensitive Relay



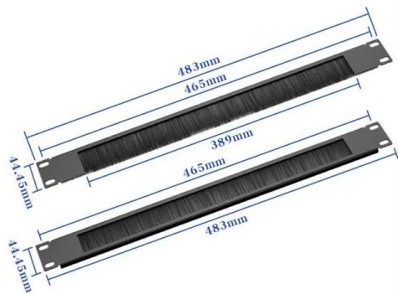
Fire Suppression for Lithium-Ion Battery Storage

Worried about lithium-ion battery fires? Discover how clean agents & Stat-X protect BESS facilities while meeting NFPA 855 standards.



Perfect Switch Power-Gate solid state Bi-Directional DC

Perfect Switch Bi-Directional Relay Information
POWER-GATE solid state Bi-Directional relays are designed to switch DC current up to 600 Amps, and allow



Lithium-ion Battery Protection ICs

A lithium-ion battery protection IC is an IC that monitors overcharge, overdischarge, and overcurrent to protect lithium-ion batteries, ensuring safe

3.7V 1200mAh LiPo Battery (103040) , 7.4Wh High Capacity

Buy the 103040 3.7V 1200mAh Lithium Polymer battery. Includes a built-in protection PCB and 50mm open-ended cable. Perfect for robotics, displays, and IoT gateways.



Amazon : 48v Battery

VEVOR 48V Lithium Battery, 10Ah, Lithium Battery Pack with 30A BMS Protection, Charger, T-Plug Expansion Cable, 500+ Cycles, IP66 Waterproof PVC Shell, Fast Charging, Compatible with 2400W





Lithium Battery Pack Protection and Control

Market trends and drivers Safety and ageing concerns in Lithium battery applications highlight the critical need for advanced protection and control solutions in the market. Adoption of electric vehicles, both



Amazon : Battery

EBL Lithium YTX30L-BS, 540CCA Lithium LiFePO4 Motorcycle Battery, 12V 18Ah ATV, UTV, Jet Ski, 4 Wheeler, Quad, Riding Lawn Mower,

Simple Undervoltage and Overcurrent Protection for

To safely utilize lithium-ion or lithium polymer batteries, they must be paired with protection circuitry capable of keeping them within their specified



Relays: The Unsung Heroes of Battery Systems

Thermal Management: Relays control cooling systems (fans, liquid cooling) to maintain optimal battery temperature. Fault Protection: In case of



Contact Us

For datasheets, pricing, or custom high-speed optical interconnect solutions, please visit:

<https://www.syropy.com.pl>