

# **Length of Fiber Optic Corrugated Pipe Cabinet**





## Length of Fiber Optic Corrugated Pipe Cabinet

---

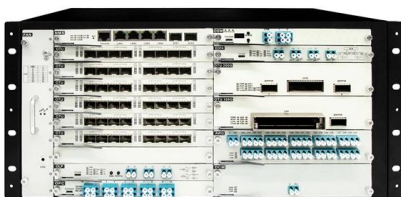


### PEC DUCT

PEC DUCT Khalid Ahmad Qweder ,, 0505154644  
,, khalid@pecduct

### Fiber Optic Ducts Pipe

PalaDuct prime are pipes made of HDPE, with internal grooves for low friction, suitable for air - blown fiber optic cables. They are waterproof and suitable for



### Polyethylene Corrugated Duct (PEC) and HDPE Ducts

NEPRO-PLAST HDPE products range covers pipes and ducts to serve the water, gas, electrical, and telecommunication applications. NEPROPLAST recently introduced to the market the Polyethylene

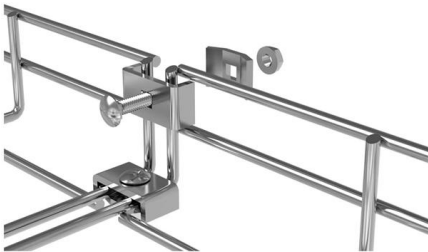
### CF FDH 144 FIBER DISTRIBUTION CABINET

This cabinet is used to connect feeder and distribution cables via optical splitters in a Fiber-to-the-Premise network application. This cabinet provides a splice, patch and splitter interconnection



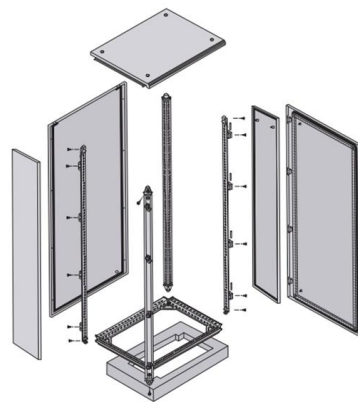
**COD (Corrugated Optic Duct) (id:751755).  
Buy Korea**

COD Stands for Corrugated Optic Duct, patented by OptiRoad Inc. worldwide and the registered brand of our product, with built-in multiple cable



**CORRUGATED OPTIC DUCT HDPE FLEXIBLE  
PIPE**

In addition, the pipe lengths are short requiring many connections and they are heavy which meant it has disadvantage of difficulty in building as well as extra cost in construction cost due to labor



**Fiber Optic Cabinet Manufacturer , OMC  
Fiber**

Reliable fiber optic cabinet supplier, our fiber distribution cabinet are available in outdoor waterproof, indoor double and single door types, choose according to



**5 Key Factors for Choosing Fiber Optic**



## Conduit Size

Discover the ideal fiber optic conduit size for your project. Our guide explains why choosing the right fiber optic conduit is crucial. Get detailed help now.



### 13-SDMS-03

5.1.4 The HDPE Ducts, to be supplied in specified sizes and configurations, categorized as Multi Bundled (Mini & Micro) HDPE Ducts & Double Wall Corrugated Ducts (DWC). 5.1.5 The HDPE Ducts

## Fiber Distribution Cabinet , Optical Cross-connect

Services up to 576 fiber from a single cabinet. Customized ultra high density design upon request.



## Optical Fiber/Optical Cables/AOC Routing and Bundling

Optical Fiber Routing During hardware installation, cut the corrugated pipe to the desired length and wrap adhesive tape around the sharp ends to protect the optical fiber. Do not forcibly pull or



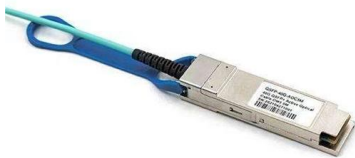
### OptiText® HD Series Cabinet , Corning

The OptiText HD series is now complete by offering a 288- and 576-fiber count option. The smaller fiber count offerings allow for smaller networks to utilize the



### FibreFab-Fibre-Optic-Cable-Catalogue

Simplex Fibre Optic Patch Cable Optronics simplex fibre optic patch cable is ideal for use in office LAN connections, patchcords, pigtailed and internal point-to-point links where frequent handling is likely



### How to Choose the Right Conduit for Your Fiber Optic

Learn how to choose the right conduit for fiber optic installations. Discover sizing, materials, and installation best practices for optimal performance.



### COD (Corrugated Optic Duct) (id:751755) Product

COD Accessories HDPE Pipe COD Pipe Production Line Electrical Power Cable Fiber Optic Cable FTTH Optical Drop Cable Telecommunication Cable You may





## Corrugated Optic Duct

The following international standards shall be applied, and deemed to be an integral part of this specification: ASTM F 405 Standard Specification for Corrugated Polyethylene Pipe and Fittings.



## Corrugated Optic Duct Overview , PDF , Pipe (Fluid)

The document discusses corrugated optic duct (COD), a flexible pipe used for telecommunication and underground power cable infrastructure. It provides

## 14U Fiber Optic Distribution Cabinet

Telhua's 14U Fiber Optic Distribution Cabinet offers high-density, reliable fiber



## Polyethylene Corrugated Duct Solutions , PDF , Pipe

This document provides information on Polyethylene Corrugated Ducts (COD) produced by NEPROPLAST for fiber optic and electrical cabling installations.



### 144 Core Outdoor Distribution Cabinet

FDCs are typically installed in outdoor settings, such as on the side of a building or in an underground vault, and are used to distribute fiber optic cables to multiple



### Fiber Optic Cabinets Types Prices & Technical Specifications

Main types include indoor ODF cabinets, outdoor distribution cabinets, wall-mounted mini fiber cabinets, and floor-standing configurations. Each type is designed for different capacities and environmental

### DATA SHEET , OCFH OPTIMUS FIBER HUB CABINETS

OCFHXXX Cross Connect Vault/Pad Mount The Optimus Fiber Hub Cabinet is a high-density, vault-mounted fiber distribution hub solution designed for centralized split, FTTX deployment architectures.



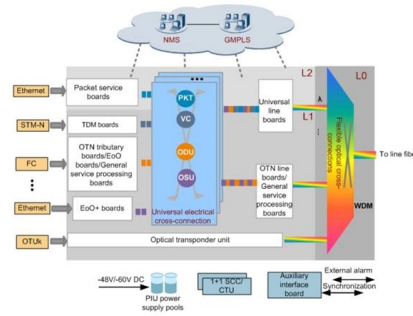
### Fiber Optic Cabinet Outdoor/Indoor for Sale, Fiber

PHXFIBER provides fiber cabinets for sale of high quality. The fiber cabinet price is reasonable and competitive. Splice cabinet provides cable management. The



## Fiber Optic Cabinets Types Prices & Technical Specifications

What Is Fiber Optic Cabinets / Optical Distribution Cabinet? Fiber optic cabinets/Optical Distribution Cabinet designed to protect fiber optic cable from environmental conditions. These fully enclosed



Rear of the optical fiber distribution box

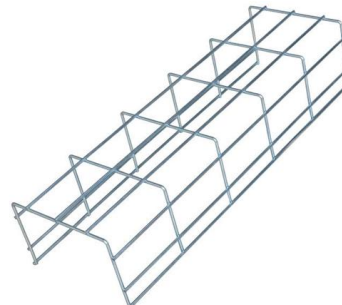


## General Guidelines Conduit Construction for Fiber Optic Use

General Guidelines Conduit Construction for Fiber Optic Use b. Unless otherwise approved by City, manholes will be constructed at a depth so that the top of the manhole cover without grade rings is at

## Corrugated Conduit: The Definitive Guide 2025

Corrugated conduit isn't just for traditional electrical installations. Its role in EV charging stations, smart grid infrastructure, and fiber-optic data



## Contact Us

For datasheets, pricing, or custom high-speed optical interconnect solutions, please visit:  
<https://www.syropy.com.pl>