

Lc Yin-Yang type optical attenuator model





Overview

5dB LC PC Single-Mode Yin-Yang Type Optical Attenuator 10pcs/set The Yin-Yang Type Fiber Optic Fixed Attenuator is a type of connector that has one end as an adapter and the other end as a connector. Fiber attenuator LC is a passive fiber optic device used to reduce optical signal power.



Lc Yin-Yang type optical attenuator model



MU Yin-Yang Fixed Optical Attenuator 10pcs SM Fiber

MU Single-Mode Yin-Yang Fixed Optical Attenuator 10pcs Fiber Attenuator The Yin-Yang Type Fiber Optic Fixed Attenuator is a type of connector that has one end

0~30dB FC/PC Yin-Yang Type Fixed Optical Attenuator

The Yin-Yang Type Fiber Optic Fixed Attenuator is a type of connector that has one end as an adapter and the other end as a connector. The attenuation value is

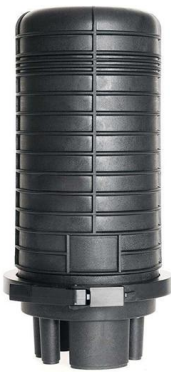


USON 2pc LC/UPC Binaural Yin and Yang Attenuators SM Fixed

Amazon : USON 2pc LC/UPC Binaural Yin and Yang Attenuators SM Fixed Fiber Attenuator, Female to Male, 3dB : Electronics Help others learn more about this product by uploading a video!

Binaural Yin Yang Attenuators 10-Pack LC/UPC Fiber Optic

These Yin Yang style fixed attenuators provide 20dB of attenuation, which is perfect for when you've got too much power coming through your fiber lines and need to tone it down to optimal levels. The



SC APC Good interchangeability and repeatability Yin

Yin And Yang Type Fiber Optic Fixed Attenuator is one end of the connector type and the other end of the adapter type, and the attenuation value is an

Fiber Optic Attenuator 10-Pack LC/UPC S

Networking professionals and fiber optic technicians, this 10-pack of LC/UPC attenuators is perfect for managing signal power in your fiber networks. These are fixed 20dB attenuators in the yin-yang



LC SM Yin And Yang Type Fiber Optic Attenuator

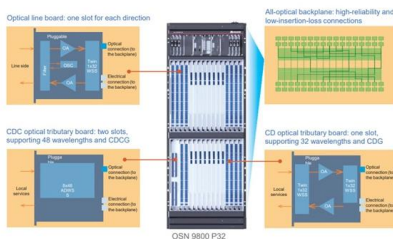
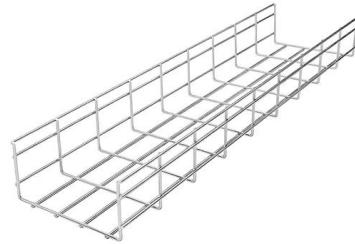
Based on the shape of ferrule shape, the fixed optical attenuator can also be classified as PC and APC with 8 degrees type. The attenuation value is in range





Yin and Yang Type Fixed Attenuator Archives

Yin and Yang Type Fixed Attenuator Showing all 8 results Filters Yin and Yang Type Fixed Attenuator 0~30dB FC/PC Yin-Yang Type Fixed Optical Attenuator 10pcs/Set \$ 60.00 Yin and Yang Type Fixed

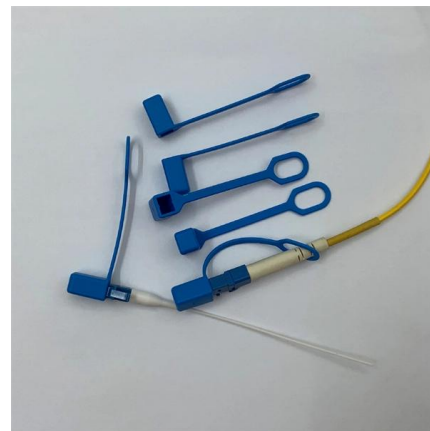


LC to LC Plug-in type Fiber Optic Attenuator

LC-LC Female to Female Fixed Optical Attenuator, It is often used in the debugging of optical power performance in optical communication systems and the

LC PC ?? ?? Yin And Yang Type Fiber Optic

Yin And Yang Type Fiber Optic Fixed Attenuator is one end of the connector type and the other end of the adapter type, and the attenuation value is an



LC/FC/SC/UPC Optical Fiber Attenuator Yin and Yang

Buy LC/FC/SC/UPC Optical Fiber Attenuator Yin and Yang Fixed Light Attenuation Adapter Conversion Yin-Yang Attenuator Attenuator Strong Light online today!



Fiber optic attenuators - Jiangsu Weite

Online attenuators, adjustable attenuators, yin and yang attenuators, and other passive optical devices can be provided to achieve optical signal attenuation.



10pcs SC APC Yin-Yang Type Fixed Fiber Optic Attenuator

10pcs SC APC Yin-Yang 0~30dB Fixed Fiber Optic Attenuator The Yin-Yang Type Fiber Optic Fixed Attenuator is a type of connector that has one end as an



HAILE LC/UPC Yin and Yang Attenuator HJ-LCY-03 3dB Male to

Product Overview HAILE LC/UPC Yin and Yang Attenuator HJ-LCY-03 is a precision 3dB male-to-female butt conversion adapter flange designed for fiber optic networks. This high-quality attenuator



Bojan BY-SJ510U1 10dB LC/UPC Fiber Optic Attenuator - Zinc Alloy

The Bojan Fiber Optic Attenuator BY-SJ510U1 is a precision-engineered 10dB attenuator featuring LC/UPC connectors with a yin and yang design. Constructed from durable zinc alloy, this attenuator





**20dB SC/PC Yin-yang Optical Attenuator
10pcs Fiber**

20dB SC/PC Yin-yang Optical Attenuator 10pcs
Fiber Attenuator The Yin-Yang Type Fiber Optic
Fixed Attenuator is a type of connector that has
one end as an



**LC/APC Fiber Optic Yin-Yang Attenuator
0-30db Male/Female**

Shipping fee and delivery date to be negotiated.
Chat with supplier now for more details.

**123578101215dB yin and yang type LC type
single-mode fiber optic**

123578101215dB yin and yang type LC type
single-mode fiber optic attenuator male and
female light attenuation fixed optical attenuator
small square head AVIC Optoelectronics direct
delivery to Hong



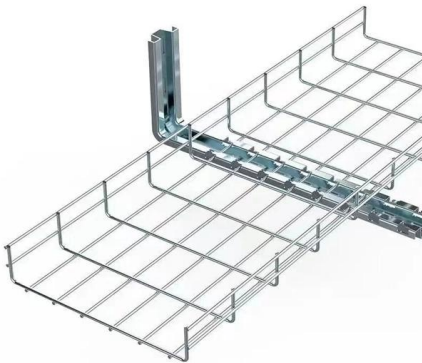
**LC UPC Fiber Optical Attenuator (LC_UPC
Yin Yang 1dB)**

The fixed fiber optic attenuator can achieve the
dual function of adapter and attenuators.



FMMCOMM12357101215dB yin and yang type LC optical fiber attenuator

FMMCOMM12357101215dB yin and yang type LC optical fiber attenuator small square male pair light attenuation fixed WRI optical communication LC interface single mode SM atten on sale, buy cheap



LC/APC Fiber Optic Yin-Yang Attenuator 0-30db Male/Female Attenuator

LC/APC Fiber Optic Yin-Yang Attenuator 0-30db Male/Female Attenuator Fixed Attenuator Flange Adapter Fiber Optic Connector No reviews yet Shenzhen Fiotic Technology Co., Ltd. 7 yrs

Lc/pc dual attenuator: the golden partner in optical fiber

Guardian of fiber optic connections: introduction to lc/pc duplex attenuator First, we need to understand the basic information of this lc/pc duplex attenuator uses lc/pc interface design,



5dB LC PC Single-Mode Yin-Yang Type Optic Attenuator 10pcs/set

The Yin-Yang Type Fiber Optic Fixed Attenuator is a type of connector that has one end as an adapter and the other end as a connector. The attenuation value is adjustable.



SC PC Yin and Yang Plastic Optical Attenuator Accurate Attenuation

Yin And Yang Type Fiber Optic Fixed Attenuator is one end of the connector type and the other end of the adapter type, and the attenuation value is adjustable. This range of fixed attenuator is mainly



LC UPC Fiber Optical Attenuator (LC_UPC Yin Yang 1dB)

LC UPC Fiber Optical Attenuator (LC_UPC Yin Yang 1dB) Fiber Optic Attenuator is one kind of optical passive device which is used to debug the performance of the optical power in the optical

0-30dB FC PC Yin and Yang Type Fixed Optical

Yin And Yang Type Fiber Optic Fixed Attenuator is one end of the connector type and the other end of the adapter type, and the attenuation value is an



Contact Us

For datasheets, pricing, or custom high-speed optical interconnect solutions, please visit:
<https://www.syropy.com.pl>