

Latvia Solution OTN Router 1 6T





Latvia Solution OTN Router 1 6T

ZTE Hosts 2026 Broadband User Congress in São Paulo, under the



In transport, ZTE launched a C+L full-band 1.6T OTN solution enhanced with AI. It delivers breakthroughs in single-wavelength rate, spectrum efficiency, and intelligent O& M, addressing

1.6T High Capacity Optical transceivers for OTN and

1.6T OSFP solution meets the current demands of hyper-scale data centers and HPC networks, while also ensuring future scalability.



Latvia OTN Hardware Market (2025-2031) , Trends, Outlook & Forecast

6Wresearch actively monitors the Latvia OTN Hardware Market and publishes its comprehensive annual report, highlighting emerging trends, growth drivers, revenue analysis, and forecast outlook.

MikroTik · About

MikroTik makes networking hardware and software, which is used in nearly all countries of the world. Our mission is to make existing Internet technologies



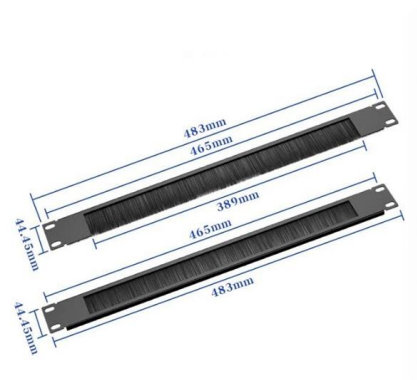
1.6T-OSFP224-AI and Data Center Networking

1.6T-DR8 OSFP224 based on 8 channels of 200G-PAM4 electrical and optical parallel lanes, 500m maximum reach via single mode fiber, case temperature



MikroTik and LMT have jointly created a powerful router

Latvian technology innovation companies LMT and MikroTik jointly created and are launching the sale of the "MikroTik LMT LTE18" router. The



The journey to 1.6T: Why 1.6T and what's in it for you

Incredible as it may sound, network providers will soon be able to evolve their optical networks to 1.6Tb/s transmission. What does the journey to 1.6T look like? And why is that the right



ZTE Hosts 2026 Broadband User Congress in São

In transport, ZTE launched a C+L full-band 1.6T OTN solution enhanced with AI. It delivers breakthroughs in single-wavelength rate, spectrum efficiency, and intelligent O& M, addressing



Backbone OTN

FiberHome's Backbone OTN solution supports 100G/200/400G/1.6T per wavelength, providing and ultra wide, flexible, agile, and intelligent OTN/WDM transmission solutions for operators.



LMT , LMT and MikroTik jointly create the LTE18 router, fully

LMT and MikroTik have jointly created an innovation laboratory which has already produced 4G routers and several prototypes of 5G routers. Juris Binde, the president of LMT, emphasizes the importance



1.6T 2xFR4 OSFP PAM4 Optical Transceiver

Optical Transceiver Jabil 1.6T 2xFR4 OSFP PAM4 Optical Transceiver is a small form-factor, high speed, and low power consumption product targeted for use in optical interconnects for data





Source Photonics Unveil its Complete Solution of 1.6T and 800G

West Hills, CA and Frankfurt, Germany - September 23, 2024 - Source Photonics, a leading global provider of innovative and reliable technology solutions for communications and data connectivity for



The journey to 1.6T: Understanding the technologies

Helen Xenos explains how the technology choices behind Ciena's WaveLogic 6 Extreme 1.6 terabit coherent optics translate to optimal economic

OTN Layer Products and Solutions

The solution meets market demands for low power consumption and rack space savings, reducing overall CAPEX and OPEX and enabling to easily and cost



1.6T Transceivers Explained: Advantages, Types & FS

This article explains how this new 1.6T rate emerged, what the technical principles and key features of 1.6T optical modules are, the major



Any question? Here you'll quickly, easily and transparently find answers on LMT services, internet, devices etc. Check it out and find what you need!



1.6T Ethernet Protocol Explained: Specs & IP

We explore the new 1.6T ethernet protocol, and explain how both data centers and edge computing benefit from expanded data bandwidth for AI,



VIAVI Launches ONE-1600 for 1.6Tb/s Ethernet Testing

VIAVI Solutions has announced the introduction of the ONE-1600, the first solution designed to address the testing and validation needs of the



Internet for Home I

As part of the Internet for Home I service, basic data may be processed, such as name, surname, connection number, address of the connection point, data of the issued device (router) etc., as well



Cisco Catalyst 8300 Series Edge Platforms Data Sheet

The Catalyst 8300 Series Edge Platforms are the evolution of the ISR 4400 Series, designed for SASE, SD-WAN, and 5G-based architectures. These FAQs cover details on the



1.6T Optical Interconnect Solution for NVIDIA GB200

FS delivers dedicated 1.6T transceivers and cables for NVIDIA GB200, boosting computational efficiency in AI clusters while reducing TCO. Backward-compatible with existing 800G infrastructure,

OptiX OSN 9800 OTN Platform

OptiX OSN 9800 OTN Switching Platform provides ultra-large capacity transport switching for backbone and Metropolitan Area Networks. Learn More.



Key Challenges and Innovations for 800G and 1.6T

Both groups have set out to define 800G and 1.6T over 224 Gb/s lanes. Here are several challenges and potential solutions for achieving 224 Gb/s



High-Speed Transceivers: 400G, 800G, and the Leap to

In InfiniBand networks, FS offers a 1.6T OSFP high-speed interconnect solution specifically designed for NVIDIA B300 AI Clusters, enabling low-latency,



1.6T

TestCenter D2 1.6T Appliance Engineered to address the unique challenges of AI networking, this comprehensive 1.6T solution spans Layer 2 through

1.6T OSFP-XD 2FR4 Transceiver

1.6T OSFP-XD 2*FR4 is designed to transmit and receive serial optical data links up to 212.5 Gb/s data rate (per channel) by PAM4 modulation format over single



ZTE embraces new strength of green and efficient

In the future, OTN networks with a maximum single-wavelength rate of 1.6T or even 2.4T will become possible, further expanding the system capacity



Market need and technical feasibility of 1.6T-LR8

Technical feasibility of 1.6T-LR8 based on IMDD solution 200G per lane optical technology is becoming mature and can be leveraged to define 1.6T with 8 wavelength objective for LR application.



Contact Us

For datasheets, pricing, or custom high-speed optical interconnect solutions, please visit:
<https://www.syropy.com.pl>