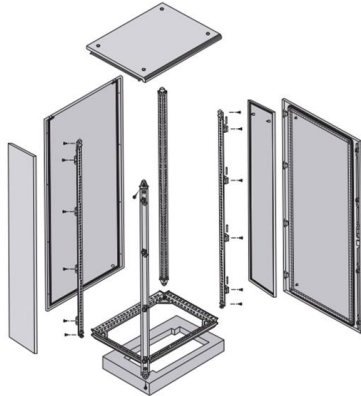


Laser diode 905 collimation





Laser diode 905 collimation



A Long-Range Lidar Optical Collimation System Based

In this paper, an optical collimation system is designed for a long-range lidar system with a shaped laser source (the wavelength is 905 nm, the

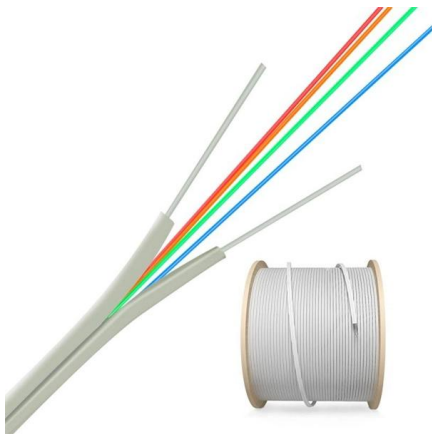
Pulsed Laser Diodes at 905 nm

Pulsed Laser Diodes with Integrated FAC Optics
To optimize divergence of the fast axis, an additional axis collimation (FAC) lens that is attached in front of the laser



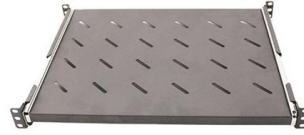
TIDA-01187 reference design , TI

5.75-W pulsed 905-nm near-infrared laser diode and driver with <1-mW average output power
Laser collimation and photo receiver focusing optics Includes 14-bit, 125-MSPS ADCs and 16-bit, 500



Collimation of laser diode beams for free space optical communications

Abstract Based on a far-field asymptotic expression of diode laser beams, the collimation characteristics of a diode laser beam are investigated. In this paper we propose a method for



Forum for Electronics

Hier sollte eine Beschreibung angezeigt werden, diese Seite lässt dies jedoch nicht zu.

Optoelectronic Devices PACKAGED LIDAR LASER DIODE

905 nm ns Pulsed Multi-junction Laser Diode Chip in TO-56 Can Metal Package The Coherent SS905A13-TO-01 edge emitting laser diode series in TO-56 metal can has been designed to provide



Applications and Technologies of 905nm Laser Diodes

In the following sections, we will explore what exactly a laser diode is, and how it has evolved over the years, setting the foundation for our understanding of 905nm



Collimation of Laser Diode Beams for Free Space Optical Communications

Based on a far-field asymptotic expression of diode laser beams, the collimation characteristics of a diode laser beam are investigated. In this paper we propose a method for

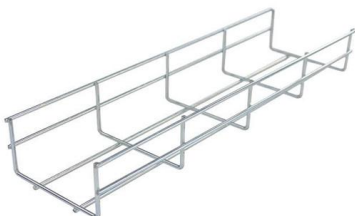


FAC-Series 905 nm High Power Pulsed Laser Diodes

Depending on the mode of operation, these devices emit highly concentrated non visible infrared light which can be hazardous to the human eye. Products which incorporate these devices have to follow

Fixed Focus Collimation Packages: SMA905

These fiber collimation packages are pre-aligned to collimate light from an SMA905-terminated fiber with diffraction-limited performance. Because these fiber



905 nm Pulsed Laser Diodes with Integrated FAC Optics

Depending on the mode of operation, these devices emit highly concentrated non visible infrared light which can be hazardous to the human eye. Products which incorporate these devices have to follow



High Power Laser-Diode Family for Commercial Range Finding

High Power Laser-Diode Family for Commercial Range Finding Excelitas' pulsed laser diodes produce very high peak optical pulses centered at a wavelength of 905 nm. The package can emit light



Coupling efficiency of laser diode to multimode fiber by graded

Based on the beam propagation principle, a compact, flexible, and simple coupling optical system between laser diode (LD) and multimode fiber (MMF) by graded refractive index (GRIN) lens

Detailed study of laser diode array collimation based on a tolerancing

The performance criteria are derived from the overall LiDAR system requirements and applied to an optical system consisting of a laser diode array source, a microlens array for slow-axis collimation,



OSI LaserDiode 905nm Pulsed Laser Diode

905nm Pulsed Laser Diode Single Mode Pulsed Instrument Laser Modules d the Slow (Parallel) Axes of emission. The adjusted Far Field pattern offers higher coupling efficiency into standard spherical lens



DATA SHEET

905NM-50MW-PMF Product Overview This Fabry-Perot laser is offered in a coaxial polarization-maintaining fiber-coupled package, with integrated photodiode. The laser is mounted in a heat-sink



Laser Diode Collimators - single-emitter laser diodes,

A laser diode collimator is an optical device, typically containing one or more lenses, used to transform the highly divergent light from a laser diode into a parallel

Performance and reliability improvement of 905 nm high power laser

In this paper, the enhancement in optical strength, reliability and durability of 905 nm high power Laser Diode and improvement in LIDT of thin film mirrors was achieved by three-step procedure.



90QZW510X001E : Laser Diode

905 905 905 905nm nm nm nm nm nm nm nm
nm nm Invisible Invisible Invisible Invisible
Invisible Invisible Invisible Invisible Invisible
Invisible Pulsed Pulsed Pulsed Pulsed Pulsed
Pulsed



905nm Pulsed Laser Diodes w/ Integrated Micro Lens

OSI Laser Diode manufactures advanced optoelectronics products designed for the telecommunications, data communications, broadband access, industrial, aerospace, test and measurement, medical and

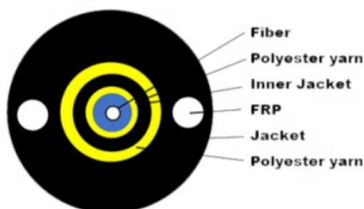


905nm, 75W Laser Diode

905nm, 75W Laser Diode Laser diodes from Laser Components are single and multi-junction devices with up to 75W of optical output power. These devices are

TPG3AU1S1.5 - 905 nm Triple-Cavity 40 μm Edge

The Excelitas TPG3AU1S1.5 is a compact and powerful 905 nm pulsed laser diode that delivers an optical output of 16 W at just 6 A, making it ideal for Time-of



Collimation of laser diode beams for free space optical

Based on a far-field asymptotic expression of diode laser beams, the collimation characteristics of a diode laser beam are investigated. In this paper we propose a method for



905nm High-Volume Pulsed Semiconductor Laser

PGAD1S03H - 905 nm Single-Cavity 3 mils SMD PLD The PGAD1S03H is an SMD packaged, high efficiency 905 nm pulsed laser diode, comprised of a single stack,



LIDAR Systems: 905nm vs 1550nm Laser Diode Safety and

Understanding LIDAR Systems LIDAR (Light Detection and Ranging) systems have become an essential technology across various industries, from autonomous vehicles to topographic

TIDA-01187 reference design , TI

View the TI TIDA-01187 reference design block diagram, schematic, bill of materials (BOM), description, features and design files and start designing.



905 TO-Packaged LiDAR Laser Diodes , Coherent

Use our pulsed 905 nm laser diodes as compact, economical, and reliable sources for LiDAR in automotive, industrial, and consumer applications. Housed in a TO



Applications and Technologies of 905nm Laser Diodes

Understanding the 905nm Wavelength The wavelength of a laser diode is not just a number; it holds significant implications for its applications and effectiveness.



Contact Us

For datasheets, pricing, or custom high-speed optical interconnect solutions, please visit:
<https://www.syropy.com.pl>