

# Laos Laser Diode 25G





## Laos Laser Diode 25G

---

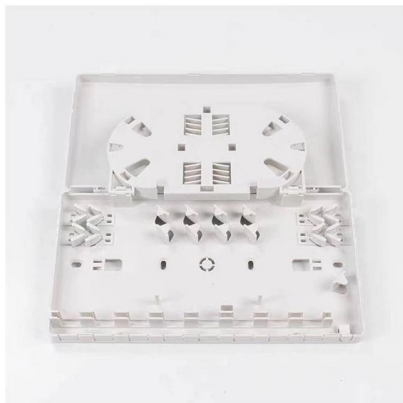


### Global 25G DFB Laser Diode Chip Market Research Report 2025

Explore 25G DFB Laser Diode Chip market with 6% CAGR, top players' % share, regional trends, and forecasts to 2031.

### 25G Dfb Laser Diode Chip Market

Single-Mode 25G Dfb Laser Diode Chips are designed for long-distance data transmission with minimal signal loss, making them ideal for telecommunications and data center applications.



### MACOM Announces 25G APD Photodiode and 25G Fabry-Perot Laser

MACOM will offer the 25G APD as bare die and a chip-on-carrier format to provide maximum design flexibility to customers. The MAOD-131F25 is a directly modulated high speed 25Gbps 1310nm Fabry

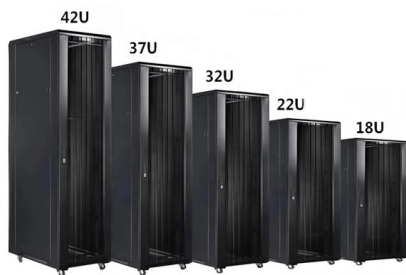
### 25G DFB Laser Diode Chip Market Research - PW Consulting

25G DFB Laser Diode Chip Industrial Chain Analysis (Upstream, Midstream, and Downstream) Upstream in the 25G DFB Laser Diode Chip industrial chain, the key players are the manufacturers



### 1310nm, 20mW, DIL Laser Diode Single-Mode Fiber-Coupled

LDS-1310-FP-1.25G-20/100 , 1310nm Laser Diode; 20mW CW Output Power 1310nm, 20mW, DIL Laser Diode Single-Mode Fiber-Coupled Compact DIL Package with Internal TEC and Thermistor FP Laser



### 25G PIN+TIA 1310nm/1550nm with LC Pluggable

25G PIN+TIA 1310nm/1550nm with LC Pluggable Package ROSA, Find Details and Price about high power laser diode Rosa from 25G PIN+TIA



### 25G DFB Laser Diode Chip Future Forecasts: Insights

The 25G DFB laser diode chip market is experiencing robust growth, driven by the exponential increase in data traffic and the deployment of 5G



### LDS-1650-DFB-1.25G-10/20

LDS-1650-DFB-1.25G-10/20 - Laser Diode from LasersCom. Get product specifications, Download the Datasheet, Request a Quote and get pricing for LDS-1650-DFB-1.25G-10/20 on GoPhotonics

Length:33.5mm  
Small-end inner diameter:4.0mm  
Large-end inner diameter:6.0mm



### Global 25G DFB Laser Diode Chip Market Size, Industry Share

The 25G DFB Laser Diode Chip offers a reliable solution for high-performance transmission, making it critical for mode data infrastructure, including 5G networks, fiber-optic systems, and cloud computing

### 25G Distributed Feedback Lasers

Proven reliability and low FIT based on EFT laser family (more than 100 millions lasers in field)  
Products are RoHS compliant, designed for Telcordia GR-468 and available either as tested dies on blue tape



### 25G DFB Laser Diode Chip Market Report: Trends, Forecast and

The 25G DFB laser diode chip market is undergoing several transformative trends, driven by the increasing demand for high-speed data transmission, the rapid deployment of 5G infrastructure, and

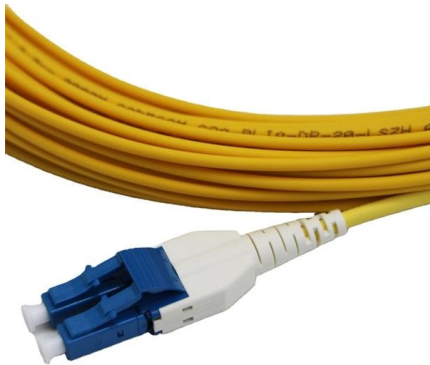


- TELECOM CABINET
- BRAND NEW ORIGINAL
- HIGH-EFFICIENCY



### LDS-1310-FP-1.25G-15/80

The LDS-1310-FP-1.25G-15/80 from LasersCom is a 1310nm InGaAsP laser diode coupled to an optical fiber. It provides an optical output power of up to 15 mW in



### 25G DFB Laser Diode Chip Market Report: Trends, Forecast and

The 25G DFB laser diode chip market is undergoing several transformative trends, driven by the increasing demand for high-speed data transmission, the rapid deployment of 5G

### MACOM Announces 25G APD Photodiode and 25G Fabry -Perot Laser

MACOM will offer the 25G APD as bare die and a chip-on-carrier format to provide maximum design flexibility to customers. ectly modulated high speed 25Gbps 1310nm Fabry-Perot laser diode with a



### Global 25G DFB Laser Diode Chip Market 2025 by Manufacturers,

Chapter 1, to describe 25G DFB Laser Diode Chip product scope, market overview, market estimation caveats and base year. Chapter 2, to profile the top manufacturers of 25G DFB Laser Diode Chip,



## Laos Laser Diode Market (2025-2031) , Analysis & Forecast

6Wresearch actively monitors the Laos Laser Diode Market and publishes its comprehensive annual report, highlighting emerging trends, growth drivers, revenue analysis, and forecast outlook. Our

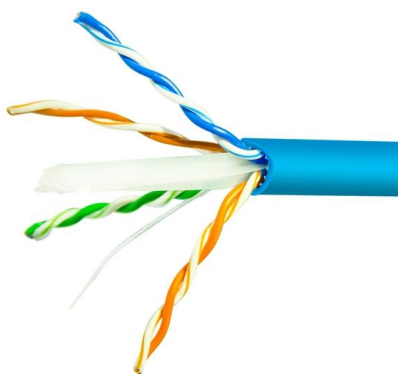


## Global 25G DFB Laser Diode Chip Market 2024 by Manufacturers,

25G DFB Laser Diode Chip market is split by Type and by Application. For the period 2019-2030, the growth among segments provides accurate calculations and forecasts for consumption value by

## 25G DFB Laser Diode, 1270~1370nm TO56 Laser

GLSUN 25G TO56  
1270/1290/1310/1330/1350/1370nm DFB Laser Diode is TO56 package with Aspherical lens cap and uncooled DFB/LD chips with MQW



## China OEM 25G 1310nm Laser Diode Manufacturer, Factory Price 25G

SAN-U is a best 25G 1310nm Laser Diode supplier in China, we supply various high quality 25G 1310nm Laser Diode for sale, and also give you endless design options. Contact us now!



## MACOM Announces 25G APD Photodiode and 25G Fabry-Perot Laser

MACOM will offer the 25G APD as bare die and a chip-on-carrier format to provide maximum design flexibility to customers. The MAOD-131F25 is a directly modulated high speed



## 25G Dfb Laser Diode Chip Market

The global market size for 25G Dfb Laser Diode Chips was approximately USD 1.2 billion in 2023 and is anticipated to reach around USD 5.5 billion by 2032, growing at a CAGR of 18.5% during the forecast

## 25G Distributed Feedback Lasers

MACOM's Distributed Feedback (DFB) laser diodes are designed for direct modulation uncooled operation up to 25Gb/s. These products utilize patented Etched Facet Technology (EFT) for wafer



## 25G DFB Laser TOSA-LC Package

Features 25 Gb/s edge emitting laser diode in a TO-can package. The Multi-quantum well distributed feedback (DFB) laser is directly modulated (DML) with a RF signal. This device comes with a built in



### **Fabry-Perot Laser Diode, 1.25G 1310nm FP Laser**

GLSUN 1.25G Fabry-Perot (FP) laser diodes at 1310nm, TO56 package with a 1.5mm ball lens, Uncooled FP/LD chips with MQW structure, good high

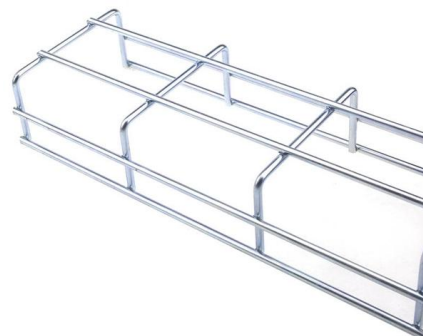


### **25G DFB Laser Diode Chip, Distributed Feedback Laser**

GLSUN 25G 1270nm, 1290nm, 1310nm, 1330nm Distributed Feedback (DFB) laser diode chips are designed for Telcordia GR-468 and packaged in single

### **Global 25G DFB Laser Diode Chip Market 2025 by Manufacturers,**

This report profiles key players in the global 25G DFB Laser Diode Chip market based on the following parameters - company overview, sales quantity, revenue, price, gross margin, product portfolio,



### **25G DFB EML Chip-DFB Chip, APD Chip, Optical Switch, Optical**

Directly modulated 25Gbps DFB edge emitting laser diode chip from 1270nm~1330nm wavelength with operating temperature range up to +75°C. Product is available as tested die.



## Contact Us

---

For datasheets, pricing, or custom high-speed optical interconnect solutions, please visit:

<https://www.syropy.com.pl>