

Landscape Design of Communication Towers





Landscape Design of Communication Towers



Communication Tower royalty-free images

Find 294,377 Communication Tower stock images in HD and millions of other royalty-free stock photos, 3D objects, illustrations and vectors in the Shutterstock

Urban Landscape with Communication Tower

Find and save ideas about urban landscape with communication tower on Pinterest.



(PDF) Optimum Selection of Communication Tower

Communication towers are vital assets in our daily lives as they transfer signals between cell phones facilitating communication and commerce



(PDF) Optimum Selection of Communication Tower

Therefore, in this paper, a comparative case study is performed between 45 m height lattice tower and monopole tower in Egypt. Two locations



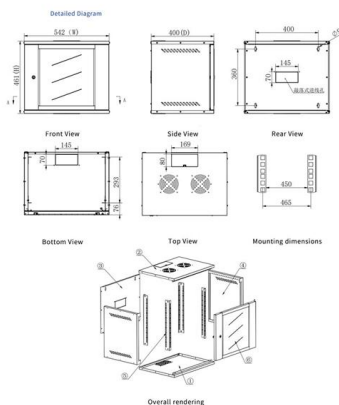
Design of resilient communication tower with retractable antenna mast

The design of a resilient retractable antenna mast pole for communication towers requires consideration of several factors, including the height and weight of the antenna, wind load, and potential impacts



Comprehensive Guide to Communication Tower Design and

The design and procurement of communication towers is a systematic engineering that integrates meteorology, structural engineering, materials science, and project management.



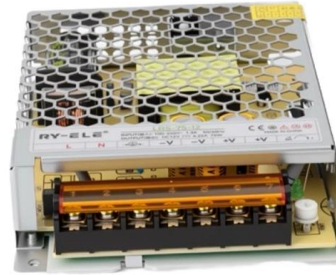
Optimum Selection of Communication Tower Structures Based on

Although communication tower designs consider wind loads, numerous collapse incidents of the towers are due to wind disasters. They investigated the collapse analysis of a lattice communication tower



Analysis and Design of a Steel Communication Tower

Abstract-- The purpose of this paper is to analyze and design a steel communications tower using the Etabs program, and calculate the lateral loads for this tower according to the British code BS3699



Communication Tower Graphics, Designs & Templates

Get 128 communication tower graphics, designs & templates on GraphicRiver such as Communication Tower, Communication Towers, Modern City and Communications Tower

Recommended Best Practices for Communication Tower Design,

Communication towers are some of the tallest structures across the landscape and birds are regularly found dead around these towers (Longcore et al. 2012a). It is not definitively understood why this



Recommended Best Practices for Communication Tower Design,

Communication towers are some of the tallest structures across the landscape and birds are regularly found dead around these towers (Longcore et al. 2012a).

Communication Tower Design Guidelines ,



It covers foundation design to resist loads, standards for tower design, codes for earthquake resistance, and guidelines on tower construction. The document also



Full article: Optimum Selection of Communication Tower

Abstract Communication towers are vital assets in our daily lives as they transfer signals between cell phones facilitating communication and

Recommended Best Practices for Communication Tower Design,

Obstruction Marking and Lighting Advisory Circular AC 70/7460-1M. Communication towers are some of the tallest structures across the landscape and birds are regularly found dead around these towers



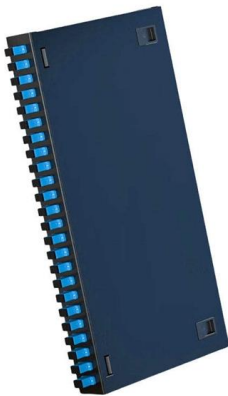
Full article: Optimum Selection of Communication Tower

Therefore, the aim of this paper is to compare between a monopole tower and a lattice tower in terms of wind loads and life cycle cost analysis, which



Recommended Best Practices for Communication Tower Design,

Recommended Best Practices for Communication Tower Design, Siting, Construction, Operation, Maintenance, and Decommissioning Migratory Bird Program U. S. Fish and Wildlife Service Falls



Wireless Telecommunication Facilities Design Guidelines

The primary goals of these guidelines are to ensure visually acceptable facility design, co-location of facilities, stealth design where appropriate and to provide a guide to preferred and acceptable design

Communication Landscape Tower|jintongtowers

By using design elements and colors that match the surrounding landscape, such as mimicking the form of trees, monuments or modern artwork, these towers not only provide



Invisibility, the Secret to Successful Wireless Sites

Encourage wireless communication towers and antennas to be placed in a way that minimizes the adverse visual impact of the facility through



Communication Landscape Tower

By using design elements and colors that match the surrounding landscape, such as mimicking the form of trees, monuments or modern artwork, these towers not only



Communication Towers: The Invisible Pillars of Modern

Moving forward, communication towers will continue adapting to environmental demands through innovative designs like landscape towers,

Communication Tower Design

Communication Tower Design is the specialized architectural and engineering discipline focused on creating vertical structures that facilitate wireless communication, broadcasting, and signal



Types of Telecom Towers & Their Key Applications

Telecommunication towers serve as the backbone of modern communication networks, enabling the seamless transmission of voice, data, and multimedia



(PDF) Design of telecommunication tower

This project focuses on the structural design and analysis of a 40-meter telecommunication tower, aimed at ensuring optimal performance and stability



Analysis & Design of Communication Towers

We use state-of-the-art three dimensional analysis software for each tower to be certain that it will carry a specified antenna loading. PASOFAL offers not only structural analysis and design for new towers,

Towards greener telecommunication towers: A

Green rating systems are used as guidelines for making buildings more sustainable. Leadership in Energy and Environmental Design (LEED) rating system is the



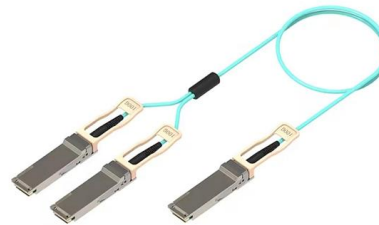
OPTIMIZATION AND DESIGN OF

When the tower is higher the more it will be exposed to lateral loads, and the higher tendency to sway. Failure of this tower will cause damages and



Communication Tower Design Guidelines , PDF

The document discusses communication tower design, including structural analysis models used for steel tower design. It covers foundation design to resist loads,



How to Choose the Right Type of Communication Tower

When selecting a communication tower, consider how the tower's shape harmonizes with the surrounding landscape. Single-tube towers, due to

Contact Us

For datasheets, pricing, or custom high-speed optical interconnect solutions, please visit:

<https://www.syropy.com.pl>