

# LP Relay Protection





## LP Relay Protection

---



### **GE LPS-O INSTRUCTION MANUAL Pdf Download**

View and Download GE LPS-O instruction manual online. Line Protection System. LPS-O relays pdf manual download. Also for: Lpsob35u23ve1n.

### **Protective Relay Basics**

Traditionally, protective relays were electromechanical devices utilizing induction disk, coils, contacts, and solenoid elements to determine protective characteristics.

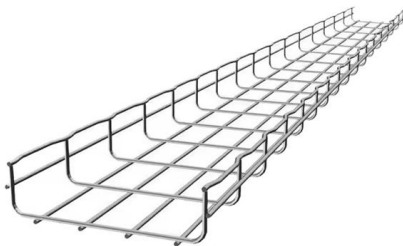
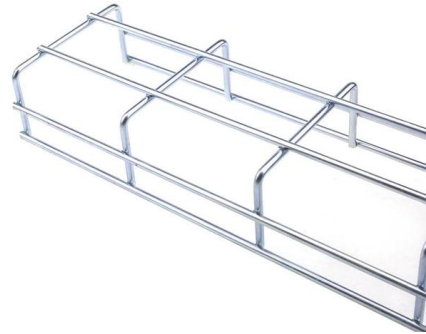


### **GE Line Protection System Relay Lps-0b35u123he1n**

Find many great new & used options and get the best deals for GE Line Protection System Relay Lps-0b35u123he1n at the best online prices at eBay! Free shipping for many products!

### **A Complete Guide to Protective Relays and Their Role**

Without it, a minor electrical issue can snowball into a system-wide outage or dangerous event. Protective relaying aims to stop that chain reaction

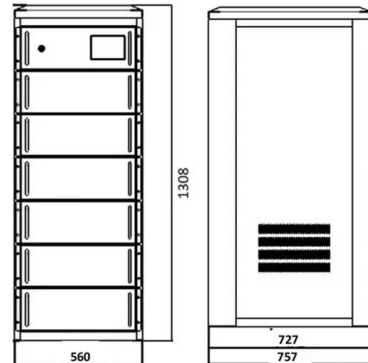


### Power System Protective Relays: Principles & Practices

Protective relays and devices have been developed over 100 years ago to provide "lastline" of defense for the electrical systems. They are intended to quickly identify a fault and isolate it so the balance of

### Home

P& B introduce the MR-METI31 Directional Relay. P& B is a leading UK innovator of electrical protection, safety and control technologies. Our specialist expertise and unrivalled



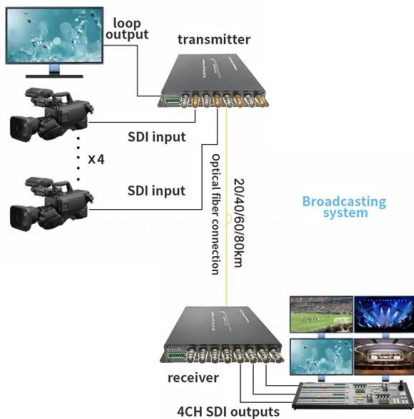
### Power System Protective Relays: Principles & Practices

Abstract: Protective relays and devices have been developed over 100 years ago to provide "last line" of defense for the electrical systems. They are intended to quickly identify a fault and isolate it so the



## Protection, Control & Metering

GE Vernova's Protection, Control, and Metering solutions deliver precise, high-performance automation for today's evolving grid. From advanced relays to



## Relay, System Backup; Line Protection System; GE# LPS

Find many great new & used options and get the best deals for Relay, System Backup; Line Protection System; GE# LPS-DA31U013HE0; 1A/120VAC/48V at the best online prices at eBay!

## The Role of Protection Relays in Power Systems and an

This paper introduces the concept of relay protection of hidden faults, its characteristics, and then analyzes the detection, risk and the calculation method of the relay protection of



## Line Protective Relays Suitable for Systems With a High

In this paper, we describe transient-based line protection principles that use traveling waves and fast incremental quantities. We briefly introduce the underlying



**Westinghouse**

Download Datasheet Protection Relays - WTCPR900-3 Feature Under Current, Over Current Protection. Current Asymmetry protection (for 3Ø systems only). RMS



**Wall Mount Cabinet Server Racks**



**SEL-LPS Linear Power Supply , Schweitzer Engineering**

Provide auxiliary dc power to your protective relays in the classroom or lab. The SEL-LPS Linear Power Supply is backed by our 10-year worldwide warranty.

**Introduction to Protective Relaying**

Introduction to Protective Relaying What are Protective Relays, or Protection Relays? Protective relays are used in industrial power generation and supply



**Protective Relaying Principles and Applications**

The article provides an overview of protective relaying principles and their applications for high-voltage power system components.



## Line differential protection relay

Transformers and compensating coils in the protection range are also possible. With its modular structure, flexibility and the high-performance DIGSI 5 engineering tool, this device offers future



### Product Photography



## LPS Line Protection System , GE Vernova

LPS Line Protection System Manufacturing for this product has been discontinued. As an alternative, please refer to D60, P443. The LPS is a multi-function digital protective relay system intended to

## Motor Protection

LPS-RK\_SP, LPN-RK\_SP, FRS-R and FRN-R fuses are sized for motor running "back-up" protection and provide superb short circuit protection at the same time. LPJ\_SP, TCF, and LP-CC fuses are



## Protection Relay Types and Testing Procedures

Discover the types of protection relays, their applications, and essential testing procedures to ensure grid reliability and safety. Learn about



## Product Guide REU615 Voltage Protection and Control

1. Description The voltage protection and control relay REU615 is available in two standard configurations, denoted A and B. Configuration A is preadapted for voltage and frequency-based

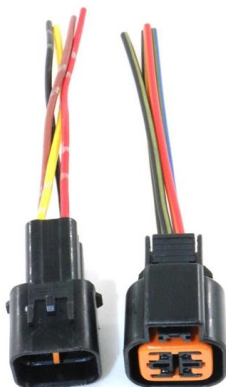


## Protective Relay Maintenance and Application Guide

Protective Relay Maintenance and Application Guide Protective relays are decision-making elements in the protection scheme for electrical power systems. A strong test and maintenance program will keep

## Protective Relay Basics Part 2

Part 1: Protective relay compared to low voltage circuit breaker. Review fundamental concepts, components, and terminology using the electromechanical overcurrent relay as a foundation.



## The basics of power system protection that every

To accomplish these goals, we must examine all possible types of fault or abnormal conditions which may occur in the power system. We must further



### GE LPS-D INSTRUCTION MANUAL Pdf Download

View and Download GE LPS-D instruction manual online. Line Protection System. LPS-D relays pdf manual download.



### LPS-O Generator Backup/Out-of-Step Protection , GE Vernova

Manufacturing for this product has been discontinued. As a an alternative, please refer to G60 or P34x. The LPS-O is a multi-function digital protective relay system intended to provide generator backup

### Types of Electrical Protection Relays or Protective Relays

? Key learnings: Protective Relay Definition: A protective relay is an automatic device that senses abnormal conditions in electrical circuits and



### Delivering more information and superior reliability with lower

Electric power utilities in North America have aggressively selected to replace older protec-tion equipment by upgrading and replacing the equipment with new IP relays whenever and wherever



## LT Protection Relay Testing Procedure

Explore the step-by-step LT protection relay testing procedure, including preparation, test setup, functional tests, & safety considerations, to assure dependable low-tension system



## Contact Us

---

For datasheets, pricing, or custom high-speed optical interconnect solutions, please visit:

<https://www.syropy.com.pl>