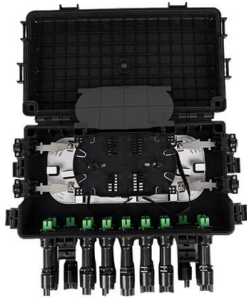


Kyrgyzstan Server Cabinet Cold Aisle Flame Retardant





Kyrgyzstan Server Cabinet Cold Aisle Flame Retardant

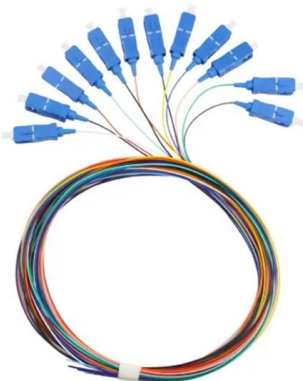


Aisle Containment Systems Guide , AMCO

Keeping in mind that data spaces are expensive, most companies are investing in server racks which can house more than one IT equipment. Electronic racks

Hot & Cold Aisle Containment Systems For Data

Cool Shield(TM) products provide customers with versatile, turnkey aisle containment systems for new or existing critical spaces. Our offerings range from a single row



Data Center Hot/Cold Aisle Containment Systems , Eaton

The components are organized into modular kits and come with assembly hardware for easy step-by-step installation. Depending on your hot-aisle/cool-aisle needs,

Hot & Cold Aisle Air Containment Curtains for Data Centers

Hot Aisle and Cold Aisle Air Containment Curtains are widely used in Technology and Data Centers as a way to control air flow and temperature variances within



KabinPLUS Aisle Containment Solutions

Aisle Containment Solution - Cold Aisle Cold Aisle Containment for rack cabinets with single or double sliding doors and sliding roof frame units fabricated out of



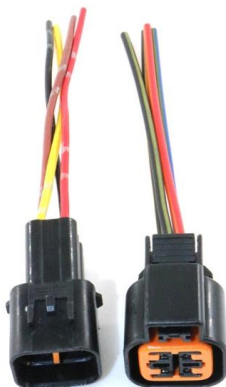
Data Center Curtains , Hot & Cold Aisle Containment

Hot-aisle/cold-aisle data center containment curtains are best where server racks are lined up in alternating rows with cold-air intakes all facing one aisle and hot-air



Cold Aisle Containment Solution

Olabs' Cold Aisle Containment system is a cabinet based containment solution in modular design. It is compatible with Olabs' standard 37U, 42U and 45U cabinets





Server Cabinet with High Quality for Cold Aisle Containment

Server Cabinet with High Quality for Cold Aisle Containment, Find Details and Price about Network Cabinet Server Rack from Server Cabinet with High Quality for Cold Aisle Containment - Ningbo

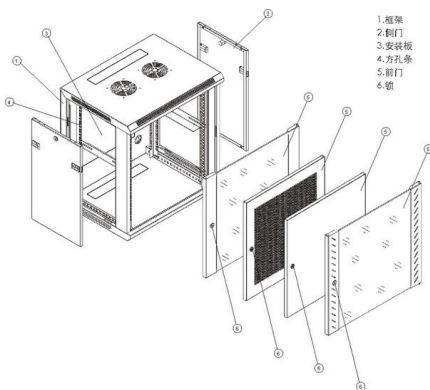


Cold Aisle Containment

Cold Aisle Containment or CAC is a proven, relatively easy to deploy solution for effectively managing airflow within a data centre. A CAC system surrounds the

Cold Aisle Containment

By enclosing the cold aisle or hot aisle, the efficiency of the cooling in the data center is significantly increased and the energy expenditure is considerably reduced.



42U Server Cabinet Cold Aisle Containment Solution w/Aisle Sliding

Aisle containment ceilings, walls and end of rows are designed to help maintain optimal operating temperatures in server rooms and data centers, it has hot or cold aisle containment, which can offer

CONTAINMENT SYSTEM



High energy costs and accelerated energy consumption has forced data center managers to implement strategies to achieve separation between the hot and cold air in the data center.



Air Flow Seals For Gaps Around Servers and Racks

Data centers that incorporate hot and cold aisle containment have pressure differentials between the aisles. This pressure can cause the gap below server

Cold Aisle Containment in Data Centers , Subzero

Minimize your data center's footprint, establish optimal operating efficiencies and save money with cold aisle containment. Learn more here!



Effective Hot and Cold Aisle Containment for Modern

All data centers and servers require proper airflow management, which is done using different data center containment products. Electronic packaging



Cold Aisle Containment , Legrand

By maintaining consistent, predictable temperatures, cold aisle containment minimizes thermal stress and reduces the risk of overheating, improving reliability and extending equipment lifespans.



Hot/Cold Aisle Containment , AZE

Cool Shield Aisle containment solutions reduces server row temperatures in active data centers. Contact us info@azesystems to build your data center with our

Plastics for Data Centers and Aisle Containment

Plastics are used in a variety of data center applications including hot and cold aisle containment panels, airflow baffles, server rack enclosures, cable management, viewing windows and



Aisle Containment Systems for Hot & Cold Aisle Solutions

Cool Shield Aisle containment solutions reduces server row temperatures in active data centers. Learn more about the benefits of hot and cold containment.



Data Center Cold Aisle Containment Curtains

Data Center Cold Aisle Containment Curtains
Steel Guard's data center cold aisle containment curtains maximize data center efficiency by directing cold supply air



Modular Cold Aisle Containment w/ 45U Server

AZE offers smart modular customizable hot and cold aisle containment solutions with 42U to 52U floor standing server rack enclosures. Save energy, reduce hotspots

Cold Aisle Containment

Melt away panels are commonly used to allow panels to fall prior to fire suppression release. With huge savings like this, it is easy to see why containment has become a best practice in data centers. To



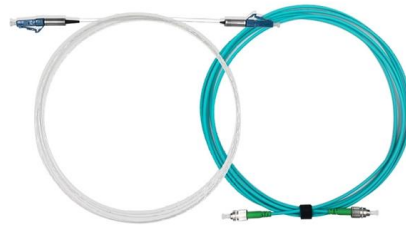
Hot and Cold Aisle Containment: What You Need to

Aisle containment is a physical means of separating hot (exhaust) and cold (supply) air. It can be accomplished via thoughtful room design, cabinet



Lepin Network , Cold Aisle Containment system

The aisle containment system is a modular rowbased thermal containment solution, which separates cold and hot data center air streams to and from equipment. It manages airflow at the source,



AISLE CONTAINMENT

Hot aisle containment is made from light duty aluminum profile and thermal insulation PC board, has better heat dissipation performance than cold aisle containment in high density data centers, to

Aisle Containment for Server Rooms and Data Centers

Shop aisle containment solutions at Server Racks Online. Explore hot and cold aisle containment systems, including doors, panels, and ceilings. Improve data center airflow, cooling efficiency, and



42u Server Data Center Rack Cold Aisle Containment

Starting with flexible, easily installed, adaptable and pre-configured customized server racks and network cabinets saves you costs, footprint and it increases the



**KabinPLUS Aisle Containment Solutions ,
EAE USA**

Cold Aisle Containment for rack cabinets with single or double sliding doors and sliding roof frame units fabricated out of aluminium, with polycarbonate panel



COLD AISLE CONTAINMENT

A Cold Aisle Containment System is the most efficient cost effective method of heat removal from cabinets operating in a data room. The system is designed for the



Contact Us

For datasheets, pricing, or custom high-speed optical interconnect solutions, please visit:
<https://www.syropy.com.pl>