

JP Outdoor Distribution Box Manufacturer





JP Outdoor Distribution Box Manufacturer

JP Series Intergrated Distribution Box- Sankai Electric



JP series outdoor integrated distribution box is a multifunctional outdoor distribution device that combines metering, line outlet, reactive power compensation etc.

JP Outdoor Integrated Distribution Box

Compact in size, aesthetically pleasing, and cost-effective, it is installed on utility poles with outdoor pole-mounted transformers, making it an ideal next-generation power distribution product for urban

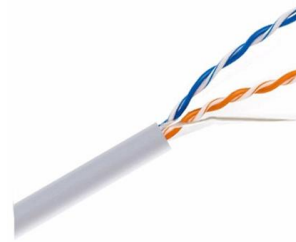


JP Outdoor General-Purpose Distribution Box

It features short-circuit, overload, overvoltage, and leakage protection. Compact, aesthetically designed, and cost-effective, it mounts on utility poles housing outdoor pole-mounted transformers. This next

JP

With a compact size, attractive appearance, and economical practicality, it is installed on transformer poles mounted on distribution poles. The JP series is an ideal new-generation distribution product for



Outdoor integrated distribution box_Jiangsu Lianyu Electric Power

JP cabinet is a comprehensive distribution cabinet for distribution transformers. With the continuous deepening of rural power grid transformation, a large number of JP cabinets are used in rural power

Why is JP Outdoor Distribution Box Essential?

The JP outdoor distribution box for low voltage systems is engineered to meet the evolving demands of modern electrical distribution. This solution features a corrosion-resistant housing, ensuring durability



Distribution box(JP)-Ruier Electric--Power equipment manufacturers

Distribution box(JP) JP comprehensive distribution box is a kind of outdoor comprehensive distribution point device integrating power distribution, metering, protection, control and reactive



JP Outdoor Integrated Distribution Box, Flame

WSD-JP outdoor integrated distribution box is a kind of outdoor integrated distribution device, which integrates measurement, outgoing line, reactive power



JP Outdoor Integrated Distribution Box

JP Outdoor Integrated Distribution Box JP series outdoor integrated power distribution box is a multi-function integrated metering, outlet, reactive power



JP Multi-Type Stainless Steel Distribution Box

China-based JP Multi-Type Stainless Steel Distribution Box manufacturer and supplier, providing reliable equipment for medium- and low-voltage power distribution systems. The product is widely used in



Jp Integrated Distribution Cabinet, Distribution Box, Jp Power Cabinet

Prefabricated substations, modular substation, wind power substation, low voltage switch cabinet and power transmission and distribution equipment, products widely used in electric power, railways,



High Quality Outdoor Low Voltage Distribution Box (LVDB) Manufacturer

Outdoor electrical distribution with advanced technology Farady low voltage, JP series Feeder Pillars use 304 stainless steel enclosure with IP54 protection degree suitable for outdoor use.



JP Type Outdoor Distribution Reactive Power

GeneralJP Series outdoor integrated distribution box is an outdoor integrated distribution device integrating measurement, outgoing line, reactive power

"Outdoor Distribution Box"

Sourcing Guide for Outdoor Distribution Box: Our electronics supplier database is a comprehensive list of the key suppliers, manufacturers (factories), wholesalers, trading companies in the electronics



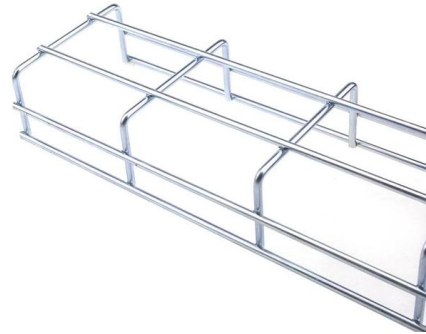
JP Outdoor Integrated Distribution Cabinet, High Quality JP Outdoor

Type JP Low-Voltage Power Distribution & Reactive Power Compensation Integrated Cabinet is a new type of outdoor power distribution & reactive power compensation integrated cabinet designed in



China Professional Outdoor Comprehensive Distribution Box for Sale

JP Outdoor Comprehensive Distribution Box integrates metering, outgoing lines, and reactive power compensation with protection against short circuit, overload, overvoltage, and leakage. Compact,



JP Outdoor Integrated Distribution Box

JP series outdoor integrated power distribution box is a multi-function integrated metering, outlet, reactive power compensation and other functions to achieve

Outdoor Low Voltage Integrated Distribution Box

A: Yes, we are a professional manufacturer, specializing in Oil immersed transformer, Dry type transformer, Amorphous alloy transformer, Pad mounted



JP Series Integrated Distribution Box-Zhejiang Fujie

JP series outdoor integrated distribution box is an outdoor integrated distribution device that combines multiple functions such as metering, outgoing line, and



JP Distribution Box

JP Series Comprehensive Distribution Box (Compensation, Control, Terminal, Lighting) The JP series outdoor comprehensive distribution box is a multifunctional outdoor distribution device that integrates



JP Integrated Distribution Box

The JP series outdoor integrated distribution box is a multifunctional device that combines metering, outgoing lines, and reactive power compensation in one compact unit. Equipped with protection

JP Integrated Outdoor Comprehensive Distribution Box Customized

JP integrated distribution box, is a concentration of measuring, qualification, reactive power compensation and other multi-functional comprehensive reach outdoor distribution equipment at an



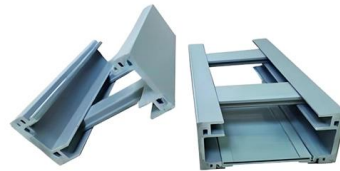
JP Series Outdoor Integrated Distribution Box

Explore our waterproof outdoor electrical box for safe and efficient energy distribution. Ideal for low voltage panel board systems and rural power grid



Weatherproof Outdoor Distribution Box

Feature highlights: This weatherproof outdoor distribution box is made of flame-retardant PC and ABS materials, offering durability with IP65 protection against water, dust, and impacts. It suits various



JP

The JP series outdoor integrated distribution box combines multiple functions such as metering, outgoing lines, and reactive power compensation into one outdoor distribution device. It features

Contact Us

For datasheets, pricing, or custom high-speed optical interconnect solutions, please visit:
<https://www.syropy.com.pl>