

Is the e2000 connector for multimode fiber





Overview

The E-2000 is an optical fiber plug connector with push-pull locking mechanism and a self-closing dust protection flap. The E-2000® connector, invented by DIAMOND, delivers unmatched reliability and precision in fiber-optic interconnects - making it the ideal choice for critical transmission points across telecom, industrial, medical, and more applications. Canovate fiber optic adapters are compatible with all fiber types including singlemode (9/125 microns), multimode (50/125 microns) fibers.



Is the e2000 connector for multimode fiber



Fosco Connect MTP 12 Fiber Multimode Connector, Male with Pins,

MTP 12 Fiber Multimode Connector, Male with Pins, Ribbon Cable, Beige Housing

E2000 Fiber Optic Adapter

E2000 Adapter Canovate fiber optic adapters are compatible with all fiber types including singlemode (9/125 microns), multimode (50/125 microns) fibers.



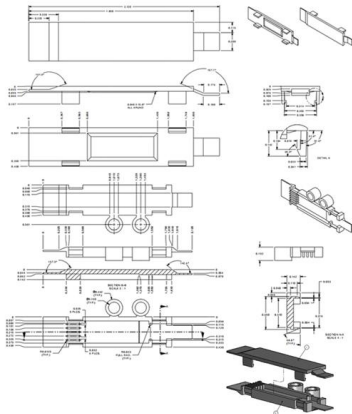
E2000 to ST Fiber Patch Cable Overview

E2000 fiber optic connector has a push-pull coupling mechanism, with an automatic metal shutter in the connector as dust and laser beam protection. One-piece,



E2000 fiber optic connector

Find advanced e2000 fiber optic connector answers for quick and dependable data flow. Use modern technologies to improve connection for flawless communication.



Choosing the Right E2000 Patch Cord: Simplex, Duplex,

Multimode E2000 patch cords, on the other hand, utilize multimode fibers that have a larger core diameter. These fibers allow multiple light signals to

E-2000 Connector

Yes, you will need a Compact Duplex Clip and need to replace the two Simplex Connector Levers with a Duplex Lever. The E-2000(TM) Connector offers a spring

DATA ADJUSTABLE, EASY TO USE



SET INCREASE DECREASE POWER SWITCH

E2000 Fiber Optic connector.pub

E2000 fiber optic connector has a push-pull coupling mechanism, with an automatic metal shutter in the connector and adapter as dust and laser beam protection. One-piece design for easy and quick





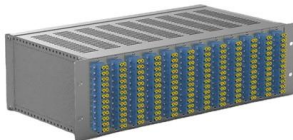
HAIZHI Fiber patch cord E2000-ST duplex OM1 OM2 1M 2M 3 Meter

This optical fiber jumper is available in multiple lengths ranging from 1 meter to 10 meters, catering to various installation requirements. With compatibility for E2000 and ST connectors, this multimode



E2000 Fiber Optic Adapter

E2000 Adapter E2000 Adapter Canovate fiber optic adapters are compatible with all fiber types including singlemode (9/125 microns), multimode (50/125 microns) fibers. Canovate components comply with



What is a Fiber Optic Pigtail, and What Is It Used For?

ST Fiber Optic Pigtail: The most common connector for multimode fiber optic LAN applications is the ST pigtail connector. It has a ferrule with an



FTTX SC Fiber Optic Adapter Earless SC SC Simplex Coupler Connector

E2000 Multimode UPC Fiber Optic Adapters Plastic Housing Fiber Optic Adapters E2000 / UPC OM4 Cable Type Multimode FTTX Use Duplex Product Description: Fiber Optic Adapters are an important



E2000 Multimode Fiber Optic Connectors



The E2000 Multimode Fiber Optic Connectors are more and more used in the fiber optical communication field because of its good performance, these E2000 fiber



UniCam Standard-Performance Connector, MTP (pinned), 50 μ m multimode

Closure-UG Serviseal For SerV.Wire Up To 5" (1.5" X 5.5") E2000/APC to E2000/APC Singlemode Adapter Ceramic Sleeve 2.00mm Furcation Tube - Aqua Color - Accepts 250 μ m Tight Buffer Fiber

E2000 Fiber Optic Cable Assemblies, Singlemode / Multimode,

The E2000 is a premium connector that offers superior performance. The new full-metal protection shutters makes the E2000 connector system conform to the highest safety requirement in all current



2. 36-ME21

FIBRE CONNECTOR SPECIFICATION FEATURES Quick, easy installation. High quality Zirconia PC ferrule. 900 micron, 2mm, 3mm cable applications. Telcordia-style strain and relief boot.



E2000 Fiber Optic Connector (Singlemode/Multimode)

E2000/APC singlemode connector, zirconia ferrule, 125um fiber size, green housing, 3.0mm green boot G010057 Availability: Ship around 2-4 weeks Unit: PC US\$11.20 Qty: Add to Quote 2 Item (s) Show



E2000 Connector Assembly

E2000 is an optical fiber plug connector, with a 1.25 mm ferrule, available for both single mode and multi-mode applications, featuring a spring-loaded shutter and

LC-E2000 Fiber Optic Cables: Features, Applications,

Uncover the features, applications, and troubleshooting techniques of LC-E2000 fiber optic cables. Explore the benefits, compare with other adapters,



E-2000® connector , optical fiber plug connector

The E-2000 is an optical fiber plug connector with push-pull locking mechanism and a self-closing dust protection flap. The connector is available for both singlemode and multimode applications.





E2000 Fiber Optic connector.pub

Description E2000 fiber optic connector has a push-pull coupling mechanism, with an automatic metal shutter in the connector and adapter as dust and laser beam protection. One-piece design for easy



All Kinds of Fiber Optic Patch Cords - SC, LC, FC, ST

E2000 connector: E2000 connectors are increasingly used in the communication field because of their excellent performance. They are one of the



Choosing the Right E2000 Patch Cord: Simplex, Duplex,

Discover how to choose the perfect E2000 patch cord for your networking needs. Learn about simplex, duplex, single mode, and multimode



E2000 Fiber Optic Connector Kit Kit Price and Specification

It is compatible with a variety of fiber optic cables, including single-mode and

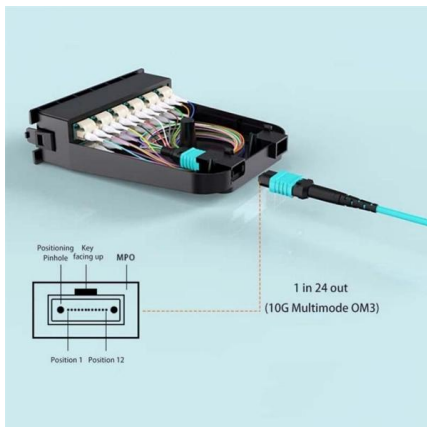


E-2000® Connector , High-Performance



Fiber Optics

Yes, the adapter is designed to match the precision and mechanical requirements of all E-2000® connectors, ensuring reliable, repeatable connections in any setup.

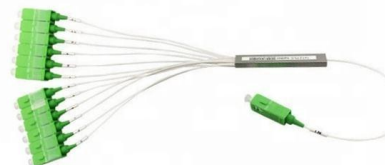


E2000 Connector

The E2000/LX-5 connector is a small form factor designed for single-mode and multimode fiber optic cables. It is a type of LC connector, meaning it has a 1.25mm ferrule for alignment and two spring

E2000 Fiber Optic Connector : sFiberOptic

E2000 fiber optic connectors and related products include both single mode and multimode types. There are single mode E2000 UPC connector, single mode



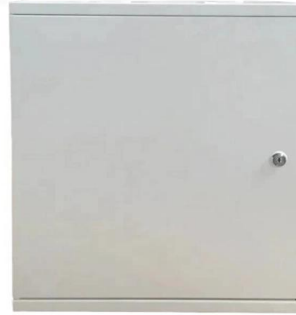
FC To FC Multimode Fiber Patch Cable

Our fiber optic jumper is available in single mode and multimode type, which features a range of fiber optic connectors type sc/lc/fc/st/e2000. Cable color, fiber



**Fosco Connect LC Quad 6 Pack (Multimode)
24 Fibers**

LC Quad 6 Pack (Multimode) 24 Fibers
Downloads: Plates for Wall & Rack Mount
Enclosures download



Contact Us

For datasheets, pricing, or custom high-speed optical interconnect solutions,
please visit:
<https://www.syropy.com.pl>