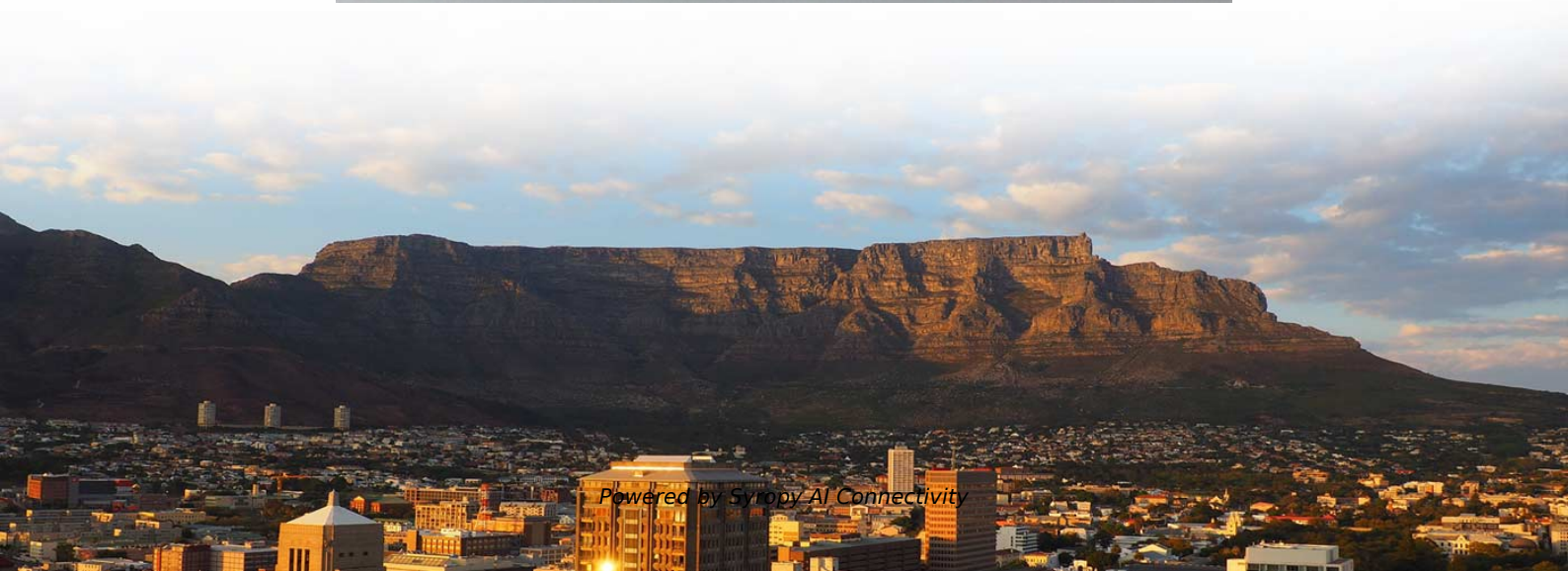


# **Iran s private power grid LPO optical module QSFP-DD**





## Iran s private power grid LPO optical module QSFP-DD

---



### 800G QSFP-DD LPO 2DR4

The reduction in latency and power has become a key driver for the growing demand for LPOs in applications such as switch-to-switch, switch-to-server, and GPU-to-GPU connectivity in Machine

### 400G QSFP-DD DCO ZR+ Coherent Optical Transceiver QSFP-DD

Ascent's 400G ZR+ QSFP-DD Digital Coherent Optic Modules are 400 Gb/s Quad Small Form Factor Pluggable- double density (QSFP-DD) transceivers designed for 480 km optical



### Demo: CEI OSFP 800G SR8 LPO Optical Transceiver Module

Demo: 400G ZR+ QSFP-DD 400G ZR+ Optical Transceiver Module Client Signal Types Supported 400GbE, 200GbE and 100GbE



### QSFP-DD vs QSFP28: Unraveling the Key Differences

Discover the key differences between QSFP-DD and QSFP28 optical modules in our comprehensive guide. Learn about their roles in high-speed data



### QSFP-DD vs OSFP vs QSFP112: Which 400G Module

400G optical module packaging comparison: Choose QSFP-DD, OSFP, or QSFP112 for data center, AI, or HPC based on compatibility, power, and cost. Optimize



### 40G QSFP: The Core of Optical Network Interconnection

A: Fiber cables in association with a QSFP-DD module facilitate the transmission of optical signals within a network over long distances. Moreover,



### QSFP-DD Optical Transceivers - MapYourTech

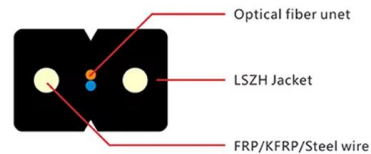
Linear Pluggable Optics (LPO): LPO eliminates retiming and DSP functions in short-reach applications, significantly reducing module power





## Comprehensive Guide to 400G/800G QSFP-DD Optical

From a technological perspective, both 400G and 800G QSFP-DD modules benefit from significant advancements. Silicon photonics has played a



### Cisco QSFP-DD Pluggable Open Line System (QDD)

Learn more about the Cisco QSFP-DD Open Line System (QDD OLS), a pluggable optical amplifier module that provides a simple yet powerful open line

### 400G ZR+ High Power Coherent QSFP-DD Transceiver

Note1. For a module with higher Tx optical power.  
Note2. For a module with lower Tx optical power.  
Note1 violation from target value under closed loop control, over all operating conditions and life.



### QSFP-DD Optical Transceivers Unlocking Faster

The QSFP-DD (Quad Small Form-Factor Pluggable Double Density) optical transceiver is a revolutionary advancement in high-speed data



### QSFP-DD Linear Pluggable Optics (LPO)

Amphenol's QSFP-DD Linear Pluggable Optical (LPO) Transceiver delivers low-latency, high-bandwidth PCIe® Gen 5.0 over optical link, enabling



- TELECOM CABINET
- BRAND NEW ORIGINAL
- HIGH-EFFICIENCY



### 100G QSFP-DD DCO : Optical Transceiver Module , NEC

The NEC's 100G QSFP-DD DCO optical transceiver is an optical transceiver that utilizes coherent technology. QSFP-DD has backward compatibility with existing

### Exploring the Benefits and Applications of 800G QSFP-DD Optical Modules

Discover the benefits and applications of 800G QSFP-DD optical modules, a cutting-edge solution for high-speed data transmission. Learn about its features, including high-speed



### 400G QSFP-DD ZR+

The GIGALIGHT 400G QSFP-DD ZR+ Coherent Optical Module for Data Center 400G Ethernet and OTN OTU4 Metro Optical Transport Network links over single





## Comprehensive Guide to QSFP - MapYourTech

Service providers are deploying coherent QSFP-DD modules directly in routers, eliminating separate transponder equipment. This architecture reduces



### QSFP-DD Linear Pluggable Optics (LPO)

QSFP-DD LPO TRANSCEIVER DESIGNED FOR PCIE® GEN 5.0 DATA RATES Amphenol's QSFP-DD Linear Pluggable Optical (LPO) Transceiver

### 400G QSFP-DD ZR+ Coherent Modules , GIGALIGHT

The QSFP-DD coherent optical module has six designated pins on the 76-pin connector for its own power feed. The host board supplies a stable power to the module which in turn limits the inrush



### 800G QSFP-DD LPO 2DR4

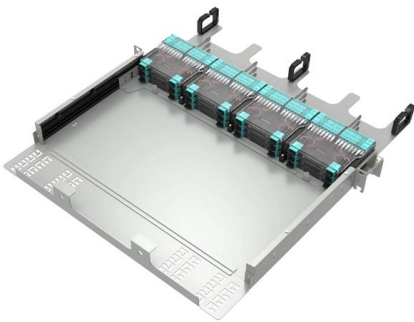
Linktel's LPO portfolio consists of both QSFP-DD and OSFP modules. Linktel Technologies provides high-quality and cutting-edge products and solutions for high speed optical I/O connectivity, including

### Cisco QSFP-DD and OSFP 800G ZR/ZR+



## Coherent Optics Modules

Cisco QSFP-DD and OSFP 800G coherent optical modules are supported on Cisco switches and routers. For more details, refer to the Cisco Transceiver Modules Compatibility Matrix.

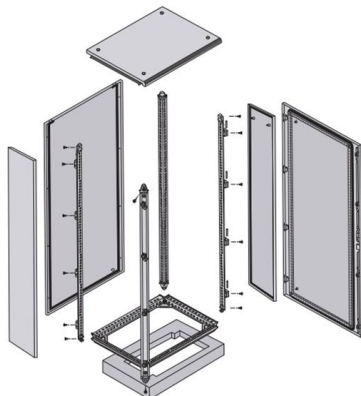


### QSFP-DD Optical Transceivers for High-Speed

Cisco's comprehensive portfolio of QSFP-DD modules support 400G and 800G data rates across copper, multimode fiber, and single-mode fiber, and

### QSFP-DD Hardware

Module power contacts rating increased from 1 A to 1.5 A and max module power dissipation increased to 25 W. Programmable/Vendor specifics and ePPS/Clock contacts defined. Normative connector



### Cisco QSFP-DD800 Transceiver Modules Data Sheet

The Cisco family of QSFP-DD800 modules leverages the cornerstone of high-speed, high-density pluggable form factors, QSFP. The QSFP-DD800 provides the industry's highest bandwidth density

## The Ultimate Guide to QSFP Cables



Explore the ultimate guide to QSFP cables. Learn QSFP types, differences from SFP, installation methods, and benefits for high-speed data



### **QSFP-DD Optical Module Overview: What is the differ?**

This article will introduce the next generation optical module in detail, QSFP-DD, also known as quad small factor pluggable, and this article will also

### **QSFP-DD Product Family » Acacia**

Powered by Greylock and Delphi DSP ASICs, and silicon photonic integrated circuits (PICs) for an optimized co-packaged design with 3D Siliconization. Supports an expansive list of interoperability



### **Cisco 400G QSFP-DD Ultra Long Haul Coherent Optics**

The Cisco 400G QSFP-DD Ultra Long-Haul Coherent Optics Module enables 400G traffic anywhere over dense wavelength division multiplexing



## 800G QSFP-DD LPO SR8 , EU-Tested Low-Power 800G Transceiver

Why Choose EU-Tested LPO Modules Each STC-40028 module undergoes independent testing in European laboratories to validate power consumption, thermal performance, and host interoperability.



## Growing the Network with 400 Gbps Coherent Pluggable Optics

Executive Summary The latest generation of Digital Coherent Optics (DCO) pluggable transceivers represents a breakthrough in the optical networking industry. By combining advances in silicon

## 400G QSFP-DD FR4/LR4 Optical Transceiver

400 Gb/s FR4/LR4 QSFP-DD Optical Transceiver is a small form-factor, high speed, and low power consumption product targeted for use in optical interconnects for data communications applications.



## 400GBASE ZR+ QSFP-DD Hyper Silicon Optical Transceiver

Hyper Silicon TM Optical Transceiver The Hyper Photonix 400G QSFP-DD ZR+ transceiver is a high-performance, cost-effective module for optical data communication applications from 100G to 400G.



### 400Gb/s QSFP-DD ZR+ Coherent Optical Transceiver

The 400G QSFP-DD ZR+ is a C-Band optical frequency tunable coherent optical module, combines 7nm coherent DSP ASIC functionality with best in class ultra-narrow line-width tunable



- 50KW/100KWH
- HIGHER POWER OUTPUT IN OFF-GRID MODE
- CONVENIENT OPERATION & MAINTENANCE
- PRE-WIRED

### 6 Common 40G QSFP+ Optical Module Models

4, 40G LR4 QSFP + optical modules: the center wavelength of 1271nm, 1291nm, 1311nm, 1331nm, duplex LC interfaces, single-mode, support for DDM, the operating temperature of 0 ° C ~

### The Ultimate Guide to Cisco QSFP Optical Transceiver

Without a doubt, in high-speed networking environments, Cisco QSFP (Quad Small Form-Factor Pluggable) optical transceiver modules are essential.



**MPO-MPO** Low Smoke Halogen Free Sheath  
**Multimode 10 Gigabit 24 pole OM3**  
 Insertion loss <0.35dB    Return loss >50dB



### 400G QSFP-DD Transceivers: Technology Overview

Explore the technology behind 400 G QSFP-DD transceivers, including form factor, modulation, optical lanes, and thermal design.



## 800G OSFP Optical Transceiver Modules

Generic Compatible 800GBASE-DR8 (2x 400G DR4) Twin-port OSFP IHS/Closed Finned Top PAM4 1310nm 500m Dual MPO-12/APC DDM SMF LPO (Linear-drive Pluggable Optics) Optical



## QSFP-DD Optical Transceivers for High-Speed Connections

QSFP-DD ports incorporate a riding heatsink that can be sized independently of the optical module, added on top of the module, or placed between modules. This flexibility enables switch and routing



## 400GBASE ZR+ QSFP-DD DWDM LC SMF SiPh Optical Transceiver Module

The Hyper photonix 400G QSFP-DD ZR+ transceiver is a high performance, cost effective module for optical data communication applications from 100G to 400G. The 400G QSFP-DD ZR+ is designed



## Contact Us

---

For datasheets, pricing, or custom high-speed optical interconnect solutions, please visit:  
<https://www.syropy.com.pl>