

# **IoT Linear Drive Pluggable Optical Low-Noise Franchise**





## IoT Linear Drive Pluggable Optical Low-Noise Franchise

---



### The Linear Drive Market Opportunity

Linear Drive offers compelling power savings but there are competing solutions being developed in parallel that will dull its impact. Issues around switch

### MACOM PURE DRIVE(TM)

Linear optical designs enable a new architecture for the networking industry to optimally address SMF and MMF interconnect needs at lower power



### LPO: Leading Low-Power 800G Optical Communication

LPO differs from traditional optical modules by using linear drive and pluggable design, supporting hot-swappability to simplify fiber cabling and

### LPO MSA releases Linear Pluggable Optical Modules

Linear Drive Pluggable Optics refers to the use of direct-drive linear technology in fiber modules. According to the LPO MSA, an LPO solution offers

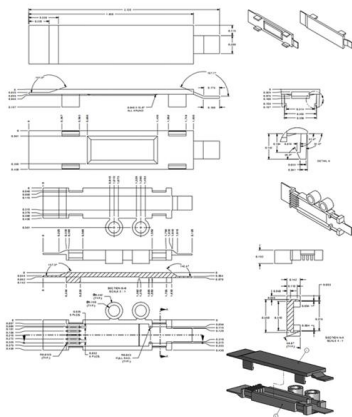


### LightCounting :: Progress in Linear Drive Pluggable Optics

Non-retimed Linear Drive Pluggable Optics (LPO) was the hottest topic at OFC 2023 and it continued to draw a crowd at the most recent international optical networking show CIOE 2023. LightCounting

### Linear Pluggable Optics - The low-power optical interconnects for AI

Join Keysight in this insightful LightWave webinar and explore the groundbreaking advantages of Linear Pluggable Optics (LPO) technology. LPO technology has several advantages including lower



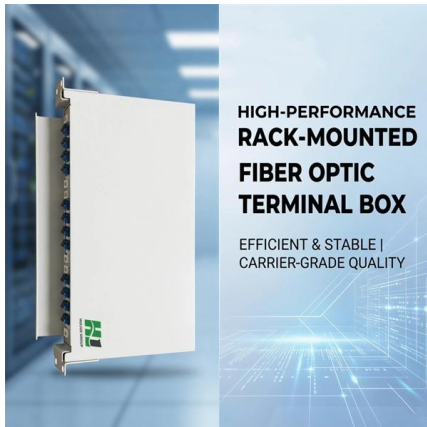
### A 112-Gb/s PAM-4 Optical Receiver With Sub-1.9

Abstract: This letter presents a  $4 \times 112$  Gb/s optical receiver with low noise and high output swing for linear-drive pluggable optics (LPOs). The receiver is implemented in 0.13-  $\mu$ m SiGe-BiCMOS



## Introducing Linear Pluggable Optics (LPO)

This article gives a short insight into how LPO technology works, how it differs from DSP-based optics, the scenarios where it offers the most advantages, and the



## Progress in Linear Drive Pluggable Optics

Agreeing on how to abbreviate Linear Drive Pluggables (LPO, LDD in Marvell's slide above or something else) is just one of many decisions, though not the most difficult one, for the industry to

## Semtech to showcase new linear pluggable optical links

Semtech announced the demonstration of 100Gbps/lane linear pluggable optical links featuring Semtech's PAM4 PMDs from its FiberEdge



## What is LPO (Linear-drive Pluggable Optics)?

LPO is short for Linear Pluggable Optics (or Linear-drive Pluggable Optics), it is a potential technology to satisfy the low power consumption and high bandwidth



## Linear-drive Pluggable Optics: A Game-Changing Technology in

To reduce power consumption and cost while meeting the demands of high-speed, high-density optical communication connections, as well as the need for optical network flexibility and



### Introducing Linear Pluggable Optics (LPO)

Linear Pluggable Optics (LPO) are a new optical transceiver technology. The idea is simple: instead of a DSP (digital signal processor) inside the module & ndash;

### Advancements in Linear Drive Pluggable Optics for High-Speed Data

Yosef Ben Ezra, CTO & Co-Founder, NewPhotonics As data center AI workloads gain practical use and accelerate the demand for low latency, high speed and power efficient optical connectivity, Linear



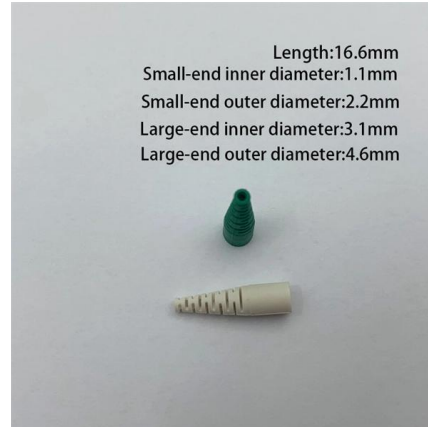
### Linear Drive Pluggable Optics Strategic Insights: Analysis 2026 and

The Linear Drive Pluggable Optics market is poised for substantial growth, driven by escalating demand for high-bandwidth, low-latency data transmission in data centers and 5G networks.



### Marvell Demonstrates Silicon Photonics Light Engine for

Marvell Demonstrates Silicon Photonics Light Engine for Low-power, Rack-scale Interconnect in AI Networks Highly integrated optical engine enables



### Semtech to Showcase New Linear Pluggable Optical Links for AI and

Semtech Corporation, a high-performance semiconductor, IoT systems and cloud connectivity service provider and a founding member of the LPO MSA, today announced the

### Linear pluggable optics for data centers

Half-Retimed Linear Optics creates an easier composite channel, allowing greater margin and robustness Shorter electrical Establishing compliant interfaces allows multiple vendors to



### Revolutionizing AI and ML Interconnects with Linear

Discover how Semtech's Linear Pluggable Optical links revolutionize AI and ML interconnects in data centers, enhancing efficiency and reducing



### Linear Drive Pluggable Optics Market

The global linear drive pluggable optics market size was valued at approximately USD 1.2 billion in 2023 and is projected to reach around USD 4.8 billion by 2032, growing at a robust CAGR of 16.5% during



### Linear Drive Pluggable Optics Market

Linear drive pluggable optics play a crucial role in this transformation by enabling high-speed data transfer and reliable network connectivity. As 5G networks become more widespread, the demand



### Linear Drive Pluggable Optics Market Forecasting Growth 2035

The Global Linear Drive Pluggable Optics Market showcases diverse opportunities across its Form Factor segment, which includes Hot-Pluggable, Non-Hot-Pluggable, and Pluggable



### Analyzing Compatibility of Linear Pluggable Optics with IoT

Linear pluggable optics production is optimized for relatively low-volume, high-value applications typical of enterprise networking. IoT applications demand the opposite profile: high





### Progress in Linear Drive Pluggable Optics

Non-retimed Linear Drive Pluggable Optics (LPO) was the hottest topic at OFC 2023 and it continued to draw a crowd at the most recent international optical networking show CIOE 2023. LightCounting



### Eoptolink unveils 800G linear-drive pluggable optical

Eoptolink Technology Inc., Ltd. (SZSE: 300502) used OFC 2023 to launch 800G linear-drive pluggable optical transceivers (LPOs). The use of a

### Linear Drive: Potentially Huge Share Shifts in the

There are a few bottlenecks to driving to higher-rate modules, but energy and cost are the huge hurdles to making transceivers a reality. Arista, in



### Linear Drive Pluggable Optics

Linear Drive Pluggable Optics Linear Drive Pluggable Optics (LPOs) have gained tremendous attention during 2023 and this document attempts to de-mystify the terminology. The focus is on 400G and



## LPO MSA Announces Release of Specification for Linear Pluggable Optical

OFC2025, San Francisco -- The LPO MSA (Linear Pluggable Optics Multi-Source Agreement) Group announced today the completion and availability of the 100 Gb/s per lane Linear



### Optica Online Industry Meeting: Linear Drive Optics

Linear Pluggable Optics (LPO) offers a viable solution to address low power consumption and high bandwidth demands of data centers. LPO simplifies design with a pluggable module

### What is LPO Optical Module? , FiberMall

LPO, the full name of the English called Linear-drive Pluggable Optics. As you can tell from the name, it is an optical module packaging



## Contact Us

---

For datasheets, pricing, or custom high-speed optical interconnect solutions, please visit:

<https://www.syropy.com.pl>