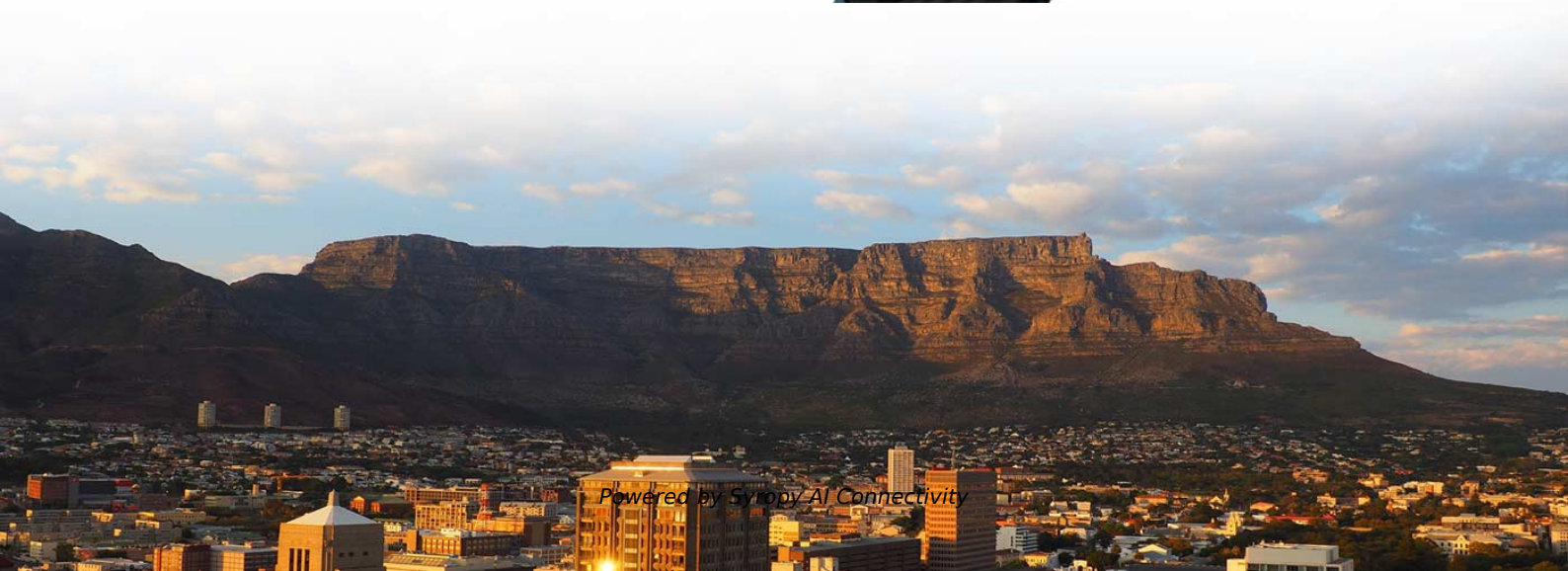


# Introduction to Croatian Smart Electronic Patch Panels





## Introduction to Croatian Smart Electronic Patch Panels

---



### Electronic patch panel: Wire once and software handles

The electronic patch panel provides a "wire-once" network solution, allowing administrators to remotely maintain networks, stay out of the wiring closet, and

### North America Electronic Patch Panel Market Size 2026 , Smart

Access detailed insights on the Electronic Patch Panel Market, forecasted to rise from USD 3.1 billion in 2024 to USD 5.



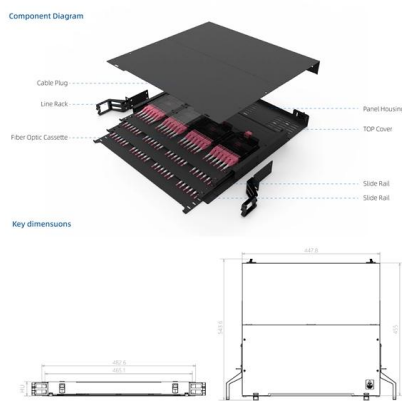
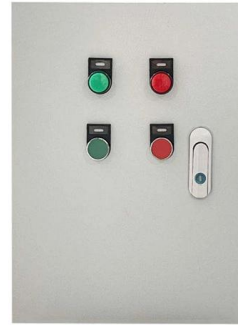
### SmartPatch(TM) Copper Snap-In-Jack Pane

PANEL KIT CONTENTS "Leviton is dedicated to designing, developing, and manufacturing sustainable high-performance structured cabling and speciality cabling solutions."



### Electronic Patch Panel Market Industry Scope by Type

Electronic Patch Panel Market Segmentation Analysis & Regional Market Performance The electronic patch panel market can be segmented based



### **SMARTPATCH Intelligent Systems , Leviton Network**

SMARTPATCH provides simple and controlled management and recording of common network changes such as those resulting from office moves and terminal

### **Primary care electronic panels in Croatia: an information solution for**

The aim of the panels was to improve model of care for NCDs in primary care by strengthening the role of general practitioners as the primary information holders and care coordinators. Systematic, easy



### **Patch Panels Selection Guide: Types, Features, Applications**

Patch panels are groups of ports used to connect lines between communications and electronic devices. Connections are made manually with small patch cords, and are easier to wire than automatic





## Patch Panels , Leviton Network Solutions

Leviton offers the industry's largest selection of high-quality copper and fiber optic patch panels to support the latest technologies and provide ideal configurations

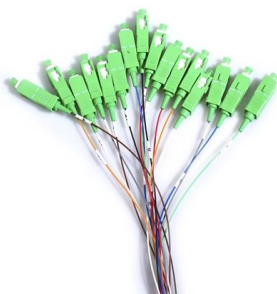


## Electronic Patch Panel Market Analysis and Growth Roadmap

The global electronic patch panel market is booming, projected to reach \$5.5 billion by 2033 with an 8.4% CAGR. This in-depth analysis explores market drivers, trends, and regional insights, focusing

## SmartPatch(TM) Fiber LC Pane

SmartPatch Fiber LC Panels are available with RFID antenna strip included or as an intelligent-ready panel without the antenna. SmartPatch Fiber LC Panels are 1RU high, and support 48 fibers with 24



## Primary care electronic panels in Croatia: an information solution for

In 2014, the Croatian Health Insurance Fund introduced "primary care panels for NCDs", an innovative instrument that allows systematic recording and management of data on patients with



## Homeowner's Guide to Smart Electrical Panels

A smart panel can do that, and more. Service panels are the control center for our home electrical systems. Their design hasn't changed much since

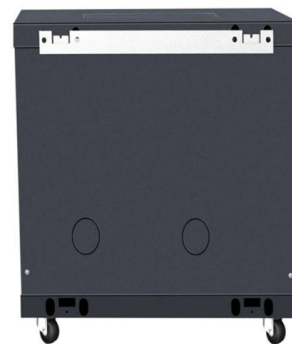


## MapIT G2 Smart Patch Panels, Control Panels, Patch Cords

The system continuously monitors your network, increasing physical layer security by tracking changes in device connectivity, detecting potential security threats such as unauthorized device connections

## ISKRAEMECO SECURES CROATIAN SMART METER TENDER

With deployment of our smart meters with multi communication capabilities, utilities adopt a system that offers enhanced flexibility, improved robustness, and increased frequency of data transmission.



## Intelligent Patching (IP)

FUTURE-PATCH is therefore an intelligent, electronics based solution that allows technicians to be visually guided (LED) on site at the rack when adding or



### Intelligent Patching (IP)

Intelligent patching and real-time monitoring with FUTURE-PATCH for patch panels in large networks Automated management and administration of network

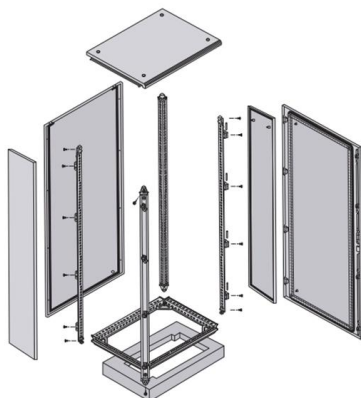


### SMARTPATCH Intelligent Systems , Leviton Network Solutions

SMARTPATCH is a modular-based system which provides the flexibility and support required to efficiently meet business needs. Operates on multiple network/database platforms and supports

### Patch Panels for EMEA Customers , Leviton Network Solutions

Our e2XHD high-density panels make patching easier than ever, using snap-in copper and fiber cassettes. Other popular styles include the 1RU 48-port, component-rated Cat 6 110-style, and Snap



### SmartPatch(TM) Copper Snap-In-Jack Pane

APPLICATION SmartPatch Intelligent Patch Panels enable the monitoring and recording of patching status for copper networks. Intelligent panels communicate with and receive power from the

### Intelligent Patch Panel < Product



LS SimpleWin(TM) Intelligent Infrastructure Management System drastically speeds up and simplifies site planning and daily network provisioning, maintenance and security. It also provides comprehensive



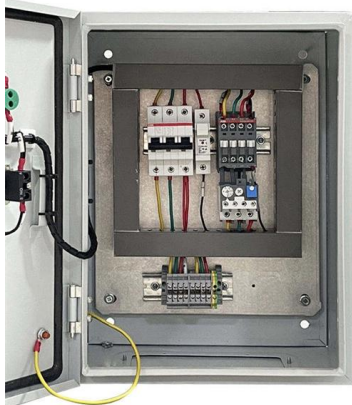
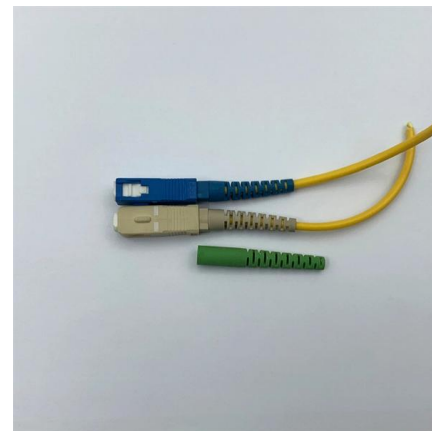
### **Electronic Patch Panel Market booms to \$10.3B by 2035 at 8.7% CAGR.**

The Electronic Patch Panel Market worth USD 4.8 Billion in 2025 is set to reach USD 10.3 Billion by 2035 growing at an 8.7% CAGR during 2026-2035, driven by evolving network demands and efficient



### **Intelligent patch panels can enhance system performance**

A new technology-the intelligent fiber-optic patch panel-can solve many of the limitations and problems inherent with mechanical patch panels. This "wire-once"



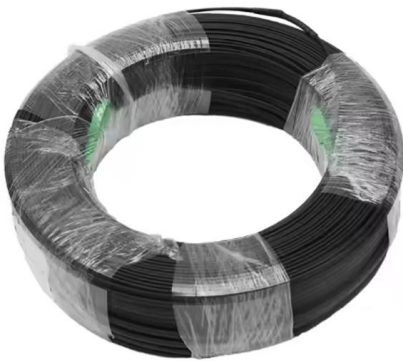
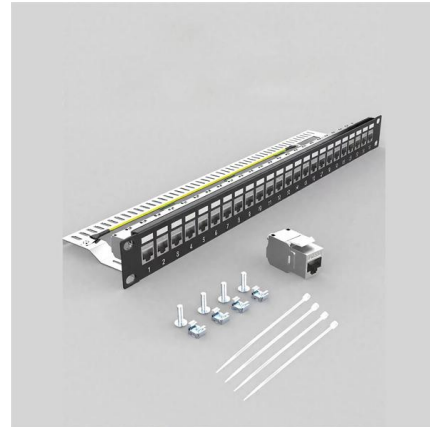
### **Intelligent Patching Systems**

This complete & intelligent-ready physical layer management system uses RFID technology for wireless detection of individual patch cords & real-time monitoring



## Taking Note of Patch Panel Technology , EC& M

An electronic patch panel is a device that enables cross-connecting electronically; that is, without the necessity of making any physical changes by hand using patch cords or other cross-connect



## Electronic Patch Panel Market Report , Global Forecast From 2025 To

The global electronic patch panel market size was valued at \$2.5 billion in 2023 and is projected to reach \$4.7 billion by 2032, growing at a compound annual growth rate (CAGR) of 6.8% during the

## Contact Us

---

For datasheets, pricing, or custom high-speed optical interconnect solutions, please visit:  
<https://www.syropy.com.pl>