

Intelligent Micro-module Edge Computing in Greece





Intelligent Micro-module Edge Computing in Greece



Open Autonomous programmable cloud appS & smart EdgeE Sensors

Similarly, existing edge device authentication solutions require a centralised entity to authenticate data. The EU-funded OASEES project aims to create an open, decentralised, intelligent,

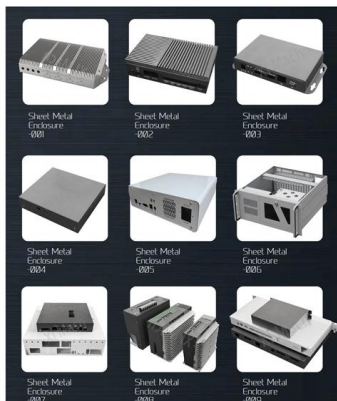
HEDNO Advances Grid Modernization with Itron

Itron signed a contract with HEDNO, the sole electricity Distribution System Operator in Greece and one of the largest in Europe, to lay the foundation for grid edge

Integrated Aluminum Alloy
Die Casting



Durable and Secure Metal Screws



Edge Servers-Edge Computing-Edge Micro Data Center , KAYTUS

We provide flexible and scalable edge computing power, tailored to meet the needs of different business development stages. Our diverse product portfolio covers edge micro data centers, portable AI

Emerging Tech Conference Edge Intelligence 2024

Emerging Tech Conference Edge Intelligence is organized within the framework of the HCCC project, supported by Chips JU and its members, and is co-funded by European Union and the Greek



VIA Intelligent Edge Modules and Boards

Unlock the power of edge computing with VIA Intelligent Edge Solutions. Harness real-time analytics, seamless connectivity, and advanced computing capabilities,



Top 44 Edge Computing Companies in Greece (2026) , ensun

Top Edge Computing Companies in Greece The B2B platform for the best purchasing decision. Identify and compare relevant B2B manufacturers, suppliers and retailers



The Complete Guide to Intelligent Edge Technology

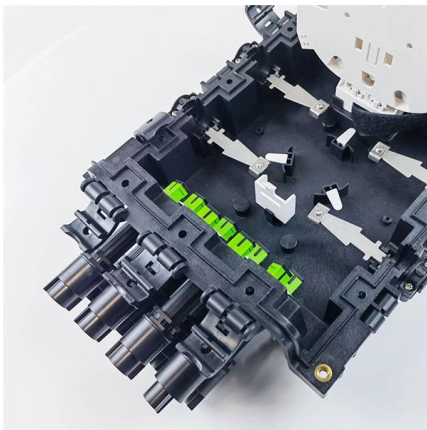
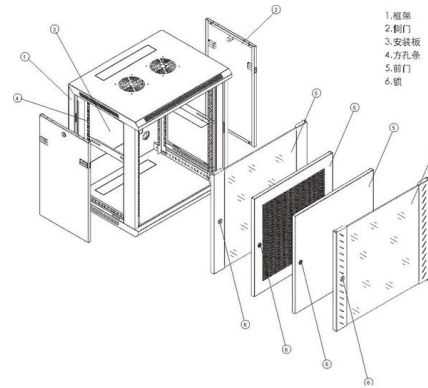
The rise of edge technology is transforming how data is processed and decisions are made, right where data is generated. Unlike traditional cloud





VIA Intelligent Edge Modules and Boards

Bring your next-generation edge AI and embedded systems to life with VIA Intelligent Edge Boards and Modules. Designed in a variety of compact and reliable form



Edge Computing Solutions - Intel

Edge computing solutions from Intel deliver real-time insights and optimized performance. Explore edge solutions to get edge AI deployed faster.

HEDNO Advances Grid Modernization with Itron Intelligent Edge

Itron, Inc. (NASDAQ: ITRI), which is innovating new ways for utilities and cities to manage energy and water, signed a contract on May 28, 2025 with Hellenic Electricity Distribution



Internet of Intelligent Things: A convergence of embedded systems, edge

This article comprehensively reviews the emerging concept of Internet of Intelligent Things (IoIT), adopting an integrated perspective centred on the areas of embedded systems, edge



What Are Micro Data Centers and Why Are They Crucial



Conclusion Micro data centers are transforming how businesses manage their IT infrastructure, offering agility, security, and efficiency in a



National Research Center Demokritos: Report on the

The first smart building dedicated to Artificial Intelligence and Telecommunications is under construction at the campus of National Research

Siemens home , Siemens

Siemens: A global technology leader driving innovation in industry, infrastructure and mobility through digital transformation.



The Intelligent Micro Module, the Element of Intelligent

The Intelligent Micro Module can provide simultaneous, efficient operations in order to provide the best green data center, the best asset management, and optimum



Supermicro Expands Edge Compute Portfolio to

With the addition of these new models, including support for the new Intel® Atom® processors x7000RE Series, Supermicro further enhances its



How Greece Can Lead in the Age of Smart Digital Infrastructure

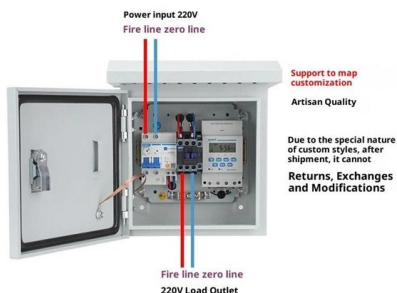
Discover how Greece can lead the future of digital infrastructure - from AI data centers and cloud systems to fiber networks and smart infrastructure.

HEDNO Advances Grid Modernization with Itron Intelligent Edge

"Itron is proud to be a part of this project to enable a modernized electric grid in Greece with our proven MDM and headend systems, which each manage more than 50 million endpoints



Product Wiring Diagram



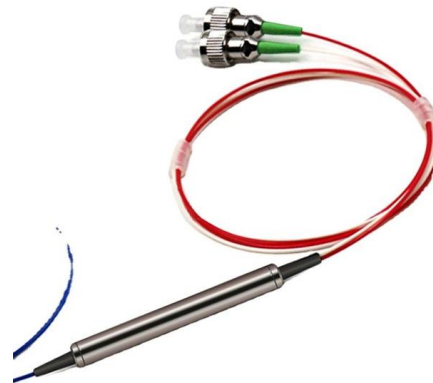
HEDNO Advances Grid Modernization with Itron

"Itron is proud to be a part of this project to enable a modernized electric grid in Greece with our proven MDM and headend systems, which each manage more



A flexible digital compute-in-memory chip for edge intelligence

Despite substantial progress, current flexible microprocessors remain limited in energy efficiency, circuit scalability and computing parallelism, hindering data-intensive edge artificial



Supermicro Expands Edge Compute Portfolio to

Supermicro Leverages New Intel® Atom® x7000RE CPUs for Efficient, Cost-Effective Distributed Performance at the Intelligent Edge
SAN JOSE, Calif.



Intelligent Edge Computing and Machine Learning: A

Intelligent edge machine learning has emerged as a paradigm for deploying smart applications across resource-constrained devices in next



Supermicro Expands Edge Compute Portfolio to Accelerate IoT

SAN JOSE, Calif. and NUREMBERG, Germany, April 8, 2024/ PRNewswire/-- Supermicro, Inc., a Total IT Solution Provider for AI, Cloud, Storage, and 5 G/Edge, announces a





HEDNO Advances Grid Modernization with Itron Intelligent Edge

Core Insights - Itron has signed a contract with Hellenic Electricity Distribution Network Operator S.A. (HEDNO) to enhance grid edge intelligence in Greece, aiming for improved customer



A flexible digital compute-in-memory chip for edge intelligence

A flexible digital artificial intelligence chip with a compute-in-memory architecture is fabricated using a commercial low-temperature polycrystalline silicon thin-film transistor process and



Comprehensive Review of Edge Computing for Power

The increasing complexity of conventional energy distribution systems, combined with the growing demand for efficient data processing, has



Smart Cities World

The utility Hedno in Greece has signed a contract with Itron to improve customer experience with consumption insights and to help modernise its electric grid



Length:44mm
Small-end inner diameter:3.6mm
Large-end inner diameter:5.5mm



HEDNO Advances Grid Modernization with Itron Intelligent Edge

Itron, Inc. signed a contract on May 28, 2025 with Hellenic Electricity Distribution Network Operator S.A. (HEDNO), the sole electricity Distribution System Operator in Greece and one of the



Contact Us

For datasheets, pricing, or custom high-speed optical interconnect solutions, please visit:

<https://www.syropy.com.pl>