

# **Installation of outdoor glass door of distribution box**





## Installation of outdoor glass door of distribution box

---



### TECHNICAL SPECIFICATION FOR OUTDOOR TYPE DISTRIBUTION

manufacturer's works, packing, forwarding, supply and unloading at store/site and performance of Plot & Service junction box with all accessories for trouble free and efficient operation. This outdoor Plot &

### Outdoor Distribution Box to Construction Site , Villilong

Custom IP65 outdoor distribution cabinet with PU sealing, rainhood, and double doors. 1.5mm carbon steel enclosure for construction power systems.



### Installation requirements for distribution boxes

Installation of closed or explosion-proof electrical facilities; distribution box electrical components, meters, switches and lines should be arranged neatly, firmly installed, easy to operate.

### Key Points Of Installation And Collocation Of Distribution Box In

If they are combined in the same distribution box, power and lighting lines should be set separately. 7. The wire inlets and outlets in the distribution box and switch box shall be set at the lower bottom of



### Mitsubishi outdoor and branch box installation

This video covers the installation of a 60K BTU/hr outdoor unit and the associated branch distribution box.

### Requirements And Specifications For Installation Of

The installation requirements and specifications of Distribution box involve many aspects, including site selection, fixing method, wiring specifications



### 13-SDMS-07 REV. 00 MATERIAL SPECIFICATION FOR OUTDOOR

This Distribution Material Standard Specification shall be read in conjunction with the latest revision of Distribution General Specification 01-SDMS-01 which shall be considered as an integral part of this



## Size determination, installation method and wiring mode

The distribution box is the central hub of the home circuit and the general control of our daily power consumption. It is an indispensable electrical equipment. If there



## Non-Hazardous Outdoor Enclosures, Installation and

This article is about Non-Hazardous Outdoor Enclosures, Installation and Commissioning and Materials Selection & Requirements of Electrical Power

## What is a waterproof outdoor distribution box

A waterproof outdoor distribution box shields electrical connections from water, dust, and weather, ensuring safe and reliable outdoor power distribution.



### An Extensive Library of Self-Developed Products



## What Are The Conditions For Outdoor Installation Of Distribution Box

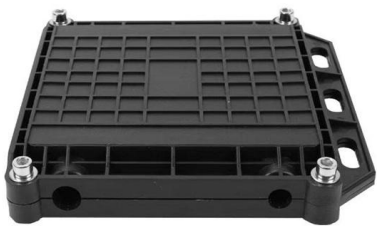
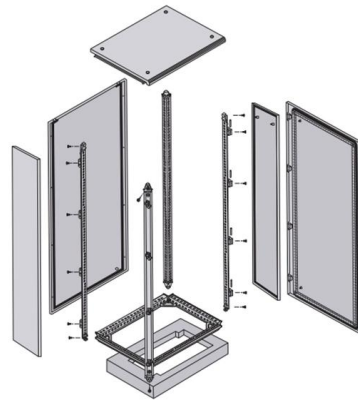
Today, we are going to share with you what conditions should be met when installing the distribution box outdoors. Let's take a look at it!

## Cautions and Requirements for Installation



of

8. After installation, the residue in the distribution box should be cleaned up. When the distribution box is installed and constructed, some safety operation items



### Outdoor Distribution Box SHA Series

The SHA series of outdoor power distribution boxes is a multi-functional power distribution equipment suitable for indoor and outdoor environments. It is made of

### Outdoor Electrical Panel Box: Expert Guide to Safe Installation

Outdoor Electrical Panel Box: Expert Guide to Safe Installation An outdoor electrical panel box, often called a subpanel, is a crucial component for distributing power to exterior locations



### How to Install a Distribution Box--A Comprehensive

First of all, you need to have a simple understanding of the definition of a distribution box, and make it clear which kind of distribution box you want to

### How to Build a Distribution Box



Looking for a way to build an irrigation distribution/diversion box without using concrete? Our step-by-step DIY guide shows you how to use our pre-made



### TECHNICAL SPECIFICATION FOR LT DISTRIBUTION BOX

1.1 The Box shall have double door with self locking ( When the main MCCB is in close position the inner door can not be opened and after closing of the inner door only the main MCCB can be closed)

### Distribution board with bended safety glass door - Distribution boxes

Curved safety glass door cabinet  
600×750×200mm / 96M (4×24 mod)



### Safe Procedures for Glass Panel Installation , PDF

This document outlines safe work procedures for installing glass panels. It details various steps of the process including material delivery,



### Mitsubishi outdoor and branch box installation

This video covers the installation of a 60K BTU/hr outdoor unit and the associated branch distribution box. The previous video at: o Mitsubishi split AC install - indoor units covers the



### FieldSmart Fiber Distribution Point (FDP) 24 & 48 Port Outdoor Wall Box

Description Designed from conception to provide fast and easy fiber jumper routing with ease of access to all circuits, the FieldSmart FDP Outdoor 24 and 48 Port Wall Boxes are craft-friendly, keeping the

### Outdoor Electrical Distribution Box Specifications: NEC

This specification guide provides system designers, electrical engineers, and procurement professionals with the technical criteria needed to



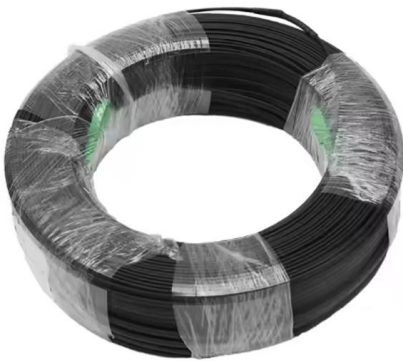
### Outdoor Power Distribution Box Solutions:

Discover how J& HW Group's outdoor power distribution boxes deliver safe, weatherproof, and customizable solutions for modern industrial and



## DRAFT SPECIFICATION FOR L. T. DISTRIBUTION BOX OF

1.1. : CONSTRUCTIONAL FEATURES :- L.T. Distribution Box shall be outdoor type and have suitable enclosure (factory built assembly) manufactured by Thermosetting Plastic i.e. Glass Fiber Reinforced



### CCC Double Door Weatherproof Distribution Box FOR

Outdoor Waterproof PC Flame Retardant Double Door Distribution control Box Applications Suitable for a variety of general electrical applications. Features A

### Ultimate Guide to Fiber Optic Distribution Box: Types,

Fiber optic technology has revolutionized the telecommunications industry, enabling faster and more reliable data transmission. One essential



### Distribution Box Installation: A Complete Guide to Safe

The distribution box, often referred to as a breaker box, fuse box, or electrical panel, is a critical component of any electrical system. It acts as the central hub for





## Understanding Distribution Boxes: A Comprehensive Guide

Distribution boxes are also used in infrastructure, utilities, renewable energy systems, and outdoor service installations where reliable power



### TECHNICAL SPECIFICATION FOR OUTDOOR TYPE

The enclosure shall be suitable for Outdoor installation. The enclosure shall be made from cold rolled sheet steel of thickness 2.5 mm and shall be suitable to withstand rough usage and weather.

## Contact Us

---

For datasheets, pricing, or custom high-speed optical interconnect solutions, please visit:  
<https://www.syropy.com.pl>