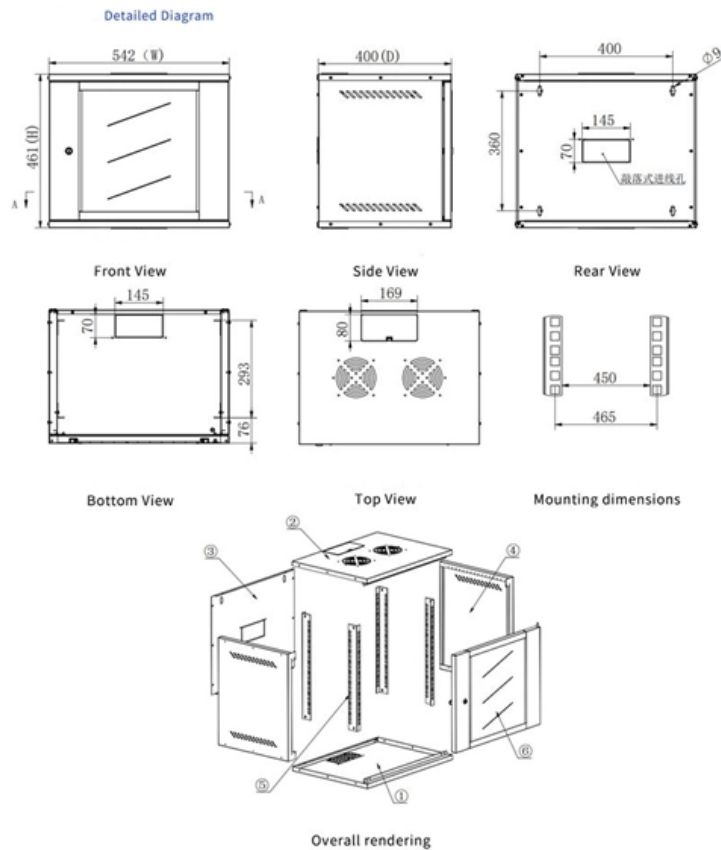


Installation of flat iron on the side of cable tray





Installation of flat iron on the side of cable tray



How to install Cable Trays - Best Guide in 2026

In this post, we will see together how to install cable tray on-site. Firstly, we need an approved shop drawing that shows the cable tray route, its dimensions,

How to Install Cable Tray: A Comprehensive Guide to Different Cable

Welcome to our step-by-step guide on installing cable trays! In this video, we'll explore the different types of cable trays available and provide detailed instructions for their installation.



Codes and Standards , Cable Tray Institute

The Cable Tray Institute is making available the current edition of this practical guide for the proper installation of aluminum or steel cable tray systems. These guidelines will be useful to engineers,

Cable Tray Technical Guide A practical guide to product selection and

A practical guide to product selection and installation This guide for engineers and installers has been developed by ABB as a practical reference regarding cable tray characteristics, installation, and



Mastering Cable Tray Installation , Step-by-Step Guide for a Seamless

Mastering cable tray installation is crucial for creating a safe, organised, and efficient cable management system. By following this step-by-step guide, you can ensure a seamless setup that



Cable Tray and Conduit Installation Method Statement

Step-by-step cable tray and conduit installation method with safety, quality and inspection procedures as per IEEE standards.



Cable tray manual

These documents: ANSI/NEMA VE-1, Metal Cable Tray Systems; NEMA VE-2, Cable Tray Installation Guidelines; and NEMA FG-1, Non Metallic Cable Tray Systems, are an excellent industry resource in





Cable Tray and Conduit Installation Method Statement

This method statement describes a detailed procedure for properly installing cable trays and conduits for the Feeder System.

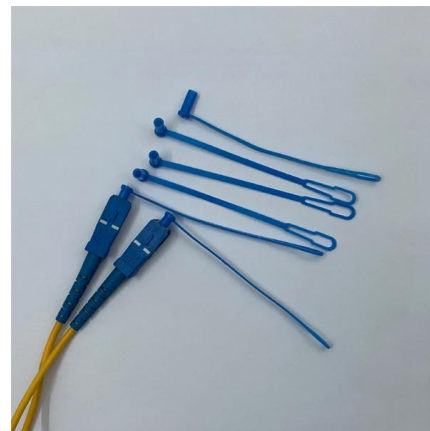


Cable Tray Spacing Standards for Installation and Safety

Proper installation can significantly reduce electromagnetic interference, prevent fire hazards, and improve overall efficiency. This article

Beama Best Practice Guide , Installation Of The System , Cable

The following recommendations are intended to be a practical guide to ensure the safe and proper installation of cable ladder and cable tray systems and channel support and other support systems.



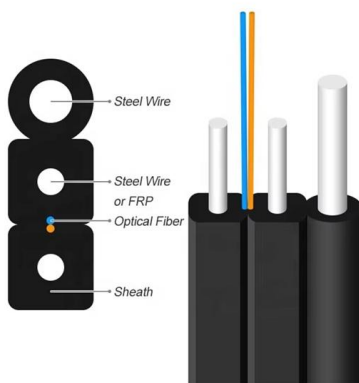
Best Practices for Installing Cables in Trays

Learn the best practices for installing cables in trays. This guide covers essential steps, technical requirements, and key details



Master Cable Tray Installation: A Professional Step-by

Learn how to install cable trays for large-scale projects with our professional, step-by-step guide covering industry standards, safety protocols,



Method Statement installation of Cable Trays and Ladders

This method statement covers the site installation of the cable tray & ladders and the requirements of checks to be carried out.

Best Practice Guide to Cable Ladder and Cable Tray Systems

Introduction This publication is intended as a practical guide for the proper and safe* installation of cable ladder systems, cable tray systems, channel support systems and associated supports.



Installation Of Cable In Cable Trays: NEC, Safety

Installation of Cable in Cable Trays ensures proper routing, cable management, NEC compliance, grounding, fire safety, and load capacity.



Cable Tray Technical Guide A practical guide to product selection and

Cable tray length is selected based on the load to be supported, the distance between the supports (also referred to as the span), and handling and installation constraints.

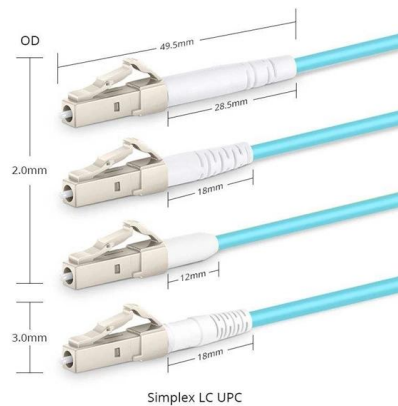


Cable Tray Installation Rules (NEC 392) - Electrical Trader

Core rules for selecting, installing, grounding, and filling cable trays--clearances, materials, separation, and bonding explained.

Cope Ladder Master Spec

Install cable trays as indicated: Installation shall be in accordance with equipment manufacturer's instructions, and with recognized industry practices to ensure that cable tray equipment comply with



Cable Tray and Conduit Installation Guide

This method statement outlines the procedures for installing cable trays and conduits, including: 1) preparing materials and tools, 2) erecting supports and



Best practice guide to cable ladder and cable tray

Cable ladder and cable tray systems The following recommendations are intended to be a practical guide to ensure the safe and proper installation of

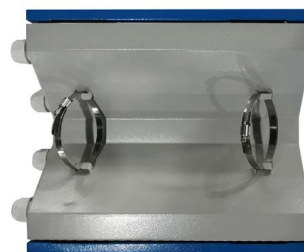


Cable Tray Installation Method Statement

Below is the detailed cable tray installation method statement not only for cable tray but also applicable for GI ladder and trunking for indoor and outdoor applications

Instrumentation Cable Tray Installation Checklist and

Step-by-step instrumentation cable tray installation guide with safety tips, standards, inspections, and downloadable Excel checklist.



CABLE TRAYS GENERAL INFORMATION AND

Cable tray systems are to be installed so they are accessible. If possible 300mm minimum should be left above or between installed systems to allow for cable



Contact Us

For datasheets, pricing, or custom high-speed optical interconnect solutions, please visit:

<https://www.syropy.com.pl>