

# **Installation of Low-Voltage Line Distribution Boxes**





## Installation of Low-Voltage Line Distribution Boxes

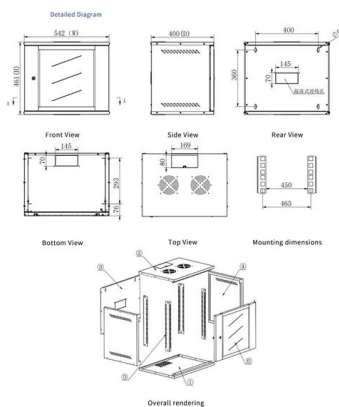


### How to design a low voltage distribution board?

Designing a low voltage distribution board (LVDB) involves careful planning to ensure safety, reliability, and compliance with electrical standards.

### How to Install a Distribution Box--A Comprehensive

Before starting the installation, finding a proper place for putting the distribution box is crucial, because it largely decides the safety and convenience



### Basics in low voltage distribution equipment

Low voltage distribution equipment typically operates at less than 600 volts; in contrast, medium voltage equipment affords a wider range of 600 to 38,000 volts. This paper provides a basic overview of the

### Low-voltage distribution networks

In densely-loaded areas, a standard size of distributor is laid to form a network, with (generally) one cable along each pavement and 4-way link boxes located in manholes at street



### Product Photography

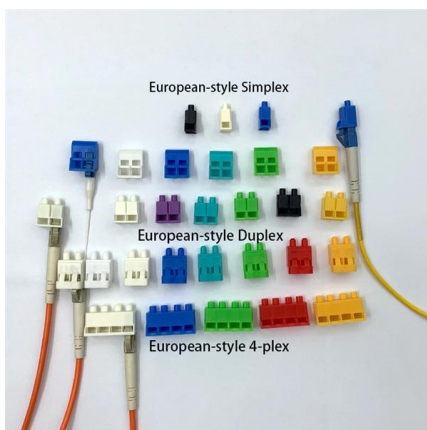


## Low-Voltage Power Distribution and Electrical Installation Technology

Making sure power makes its way Consistent, safe and intelligent low-voltage power distribution and electrical installation technology Whether industries, infrastructures or buildings: Each environment

## Design requirements and standards for low voltage

Design requirements for low voltage distribution boxes cover NEC, IEC, and safety standards to ensure reliable, compliant electrical installations.



## Low voltage power distribution system

This article will introduce to you the low voltage power distribution system in detail, including what it consists of, its main equipment, and the



## ptb\_AFSEC\_low\_voltage\_en\_lay4

Acknowledgements This AFSEC Technical guidelines for Low Voltage Electrical Installations was developed by the AFSEC Technical Committee 64 with the support of AFSEC Secretariat; PTB



### Wholesale Distributor of Security, AV & Low Voltage

ADI Global Distribution is the industry's leading global distributor of security, AV, and low-voltage products. For more than 25 years, professional contractors, dealers

### Low-Voltage Distribution Lines and Power Distribution

Guidelines for safe low-voltage power distribution on construction sites: wiring methods, clearance rules, and mobile/fixed distribution boards.



### How to Install a Cable Distribution Box Safely and

In modern electrical systems, cable distribution boxes (also known as electrical distribution boxes or distribution boxes) play a crucial role as the key





## Guidelines to the construction of a low-voltage assembly

Single line diagram and switchboard front view with LV components Throughout this document, the term assembly is used for a low-voltage



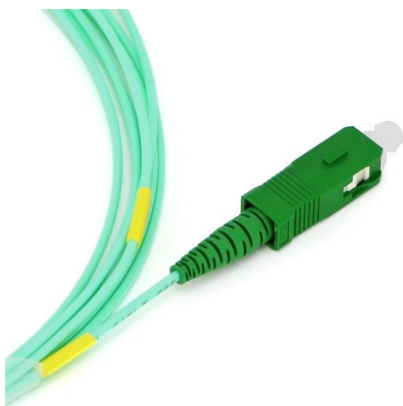
## Low Voltage (LV) Distribution System

The article discusses low voltage (LV) distribution systems, covering various voltage configurations used worldwide, such as single-phase and three



## What Is A Low Voltage Box Used For?

Unlock the full potential of low voltage boxes with CSQ Electric's comprehensive guide. From home theaters to security systems, explore how these essential components streamline installation, protect



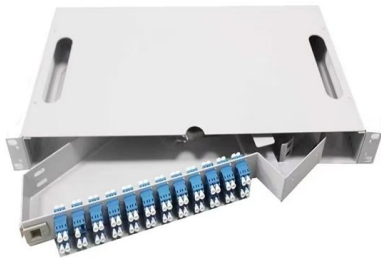
## MNS® Low Voltage Distribution Board and Power Cabinet

In designing the distribution board and power cabinet, ABB drew upon its wealth of experience with low-voltage switchgear and placed a strong emphasis on the product's ease of installation, operations,



## Low-Voltage Distribution Box Installation Tips

Today, I'd like to share some details about installing a low-voltage distribution box. Make sure to reserve enough power outlets inside the box--at



### ABB Low voltage distribution system

ABB Low voltage distribution system offers safe and reliable distribution based on InLine ZLBM fuse switch disconnecter. It's a full IP2X protected system consisting

### LV/MV power substation equipment and wiring

Figure 1 is an example layout. This layout is suitable for a main 11 kV substation, also supplying local low-voltage distribution, and it will be seen that it



### Low-Voltage Power Distribution and Electrical Installation Technology

The planning and operation of electrical power distribution systems are becoming more complex, and the technical demands placed on the underlying systems and products are rising - in particular with



## Low Voltage Distribution and Protection

Ensto's low voltage distribution and protection solutions are designed to protect an electrical circuit from damage caused by load imbalances.



### Low voltage PDC installation requirements and specifications

When selecting a low-voltage distribution device, it should meet the nominal voltage, frequency and calculated current of the network where it is located, and also meet the dynamic and

## Low-voltage electrical installations

Fig. 2.3. Front plate of the station with a schematic diagram of the network and distribution of measuring, signaling and control elements: 1 - circuit breaker of station, 2 - voltage regulator, 3 - switch of



### Understanding NFPA 70 NEC Standards for Low

Explore the importance of NFPA 70 and NEC standards for low voltage cabling installations. This comprehensive guide delves into current regulations,



## Low Voltage Distribution Panel: Guide for LV Distribution

A low-voltage distribution panel must match the actual site duty. Assessing loading, defining the right specification points, and accounting for the installation and maintenance factors



### What is a Low Voltage Panel (Switchgear) Aktif Elektroteknik

Learn what a low voltage panel is, explore its key components, safety standards, classifications, and discover the

### Low-Voltage Distribution Box Installation Tips

Today, I'd like to share some details about installing a low-voltage distribution box. Make sure to reserve enough power outlets inside the box--at



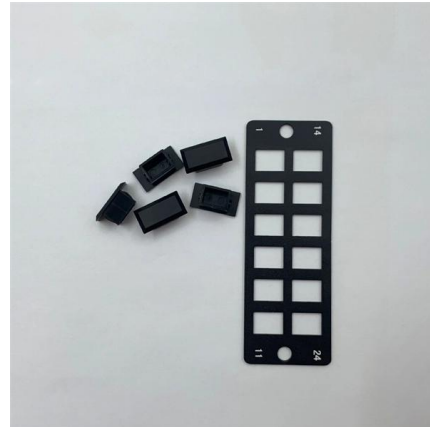
### Low Voltage Cable Distribution Box , Cable Branch Box

The low voltage cable distribution box is used in the power distribution system with alternating currents of 50Hz and rated voltage of 380V. The box acts as the

## TECHNICAL GUIDELINES FOR LOW VOLTAGE ELECTRICAL INSTALLATIONS



The Electrical Distribution architecture of an installation involves the spatial configuration, the choice of power sources, the definition of different distribution levels, the single-line diagram and the choice of



### **Usage, Principle, And Classification of Low Voltage Distribution Box**

Low-voltage distribution box is a device responsible for controlling, protecting, converting, and distributing electrical energy at the terminal end of the low-voltage power supply system. It is mainl

## **Contact Us**

---

For datasheets, pricing, or custom high-speed optical interconnect solutions, please visit:  
<https://www.syropy.com.pl>