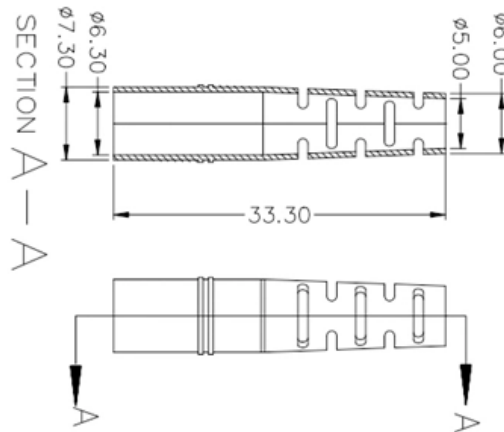


Industrial Ring Network Switches





Overview

ORing offers a comprehensive portfolio of rugged industrial Ethernet switches, from cost-effective unmanaged and PoE models to advanced Layer 2/3 managed switches enabling precise control. Originally developed by the Telecom industry for Metro-Ethernet topologies, today, ERPS is primarily used in industrial networks to. This solution builds a basic two-layer network architecture designed to decrease complexity, enhance security, and increase efficiency and operating uptime for your industrial network. , a cable break or switch failure), the protocol re-routes traffic via an alternate path.



Industrial Ring Network Switches



IES-3080

ORing offers a comprehensive portfolio of rugged industrial Ethernet switches, from cost-effective unmanaged and PoE models to advanced Layer 2/3 managed

What is ERPS and How It Prevents Network Loops

ERPS is a standardized redundant ring protocol (ITU-T G.8032) specifically designed for Ethernet networks. It ensures high availability and loop



Industrial Ring Networks , ERPS , Antaira Technologies

What is Ethernet Ring Protection Switching? The ITU-T G.8032 Ethernet Ring Protection Switching (ERPS) is an open-standard layer 2 Ethernet protocol designed to detect and prevent



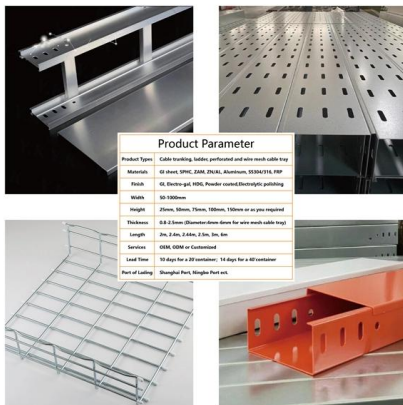
Real-time Redundant Ring Switch Industrial Ethernet Switch

Introduction The Real-time Redundant Ring Switch offers fault-tolerant industrial Ethernet with ring network topology. The built-in ICP DAS proprietary Cyber-Ring technology detects and recovers from



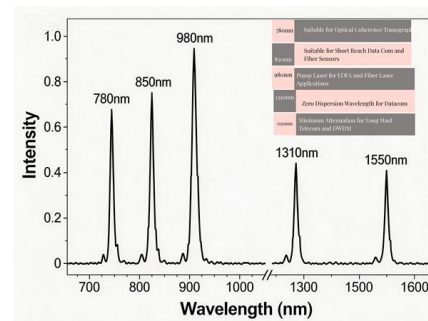
Industrial Ring Networks , ERPS , Antaira Technologies

ERPS Rings simplify network management by providing a vendor-neutral solution that can be used with industrial switches and ports from multiple vendors. This reduces the complexity of managing



Industrial Ring Ethernet/Fiber Switch , ICP DAS USA Inc

Select from a wide range selection of Industrial Unmanaged Ethernet Switches encased in plastic. Plastic is a great cost-effective solutions for implementing industrial control and data acquisition over



Industrial Lan switch how to group ring network

September 19, 2024 Industrial Lan switch how to group ring network In the industrial Internet of Things, the Industrial Lan Switch group ring network is an important network architecture method that can



EDS-516A Series

The EDS-516A standalone 16-port managed Ethernet switches, with their advanced Turbo Ring and Turbo Chain technologies (recovery time < 20 ms), RSTP/STP,



Industrial Switch: Understanding Industrial Ethernet

An industrial Ethernet switch is a type of network switch designed to operate in harsh industrial environments. Oil rigs, railways, manufacturing plants, and similar

How Industrial Switches Build Industrial Ring Networks

This article aims to provide a concise yet comprehensive overview of how industrial switches contribute to the formation of industrial ring networks, catering to both traditional industry



Ring Redundancy Protocols for Industrial Ethernet

In industrial automation, network reliability is critical to ensuring uninterrupted operations. Redundancy ring protocols provide fault tolerance by enabling fast



Editorials: Industrial Ring Networks , ERPS , Antaira

Industrial Ethernet switches are critical components in network infrastructures, often used in harsh environments and mission-critical



Building Fault-Tolerant Industrial Ring Networks with

Industrial Ethernet switches are critical components in network infrastructures, often used in harsh environments and mission-critical applications. The Ethernet Ring

Ring Network Switch: A Reliable Solution for Industrial

In industrial environments, the Ring Network Switch connects multiple switches end-to-end to form a closed-loop network. Each switch is equipped with two dedicated



Industrial Automation Ring Network Solution

This solution builds a basic two-layer network architecture designed to decrease complexity, enhance security, and increase efficiency and operating uptime for



IES-3080 is a managed redundant ring Ethernet switches with 8x10/100Base-T (X) ports. With completely support of Ethernet redundancy protocol, O-Ring (recovery



Industrielle Lösung für Automatisierungsringnetzwerke

Die industriellen Ethernet-Switches von FS sind so konzipiert, dass sie den anspruchsvollen Anforderungen verschiedener industrieller Anwendungen gerecht werden.

Industrial Ethernet Switches - Cost-Effective, Redundant Network

The individually configurable industrial switches reliably network all ETHERNET devices and ensure continuous access to your machines and systems. The Jet Ring, Xpress Ring and ERPSv2 Ring



home > product> solutions > industrial ethernet switch

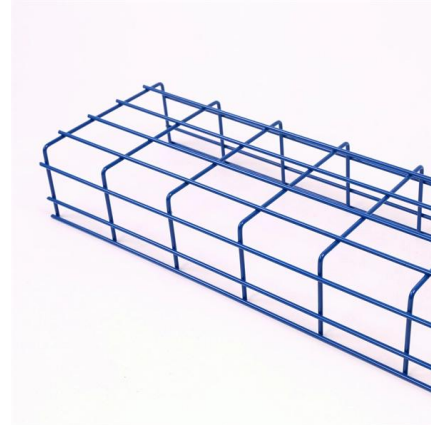
In a Cyber-Ring network, every switch or network node has two adjacent neighbors for communication purposes. Cyber-Ring supports a variety of ring network

Redundant Ring Technology for Industrial



Ethernet Applications

Products include industrial embedded computers, industrial Ethernet switches, serial device servers, multiport serial cards, embedded device servers, and remote I/O servers. Our products are key



X-Ring Plus Ethernet Industrial Ring Technology

X-Ring Plus resilient ring technology is provided with network operating system 2.0 & is an enhanced version of Case Communications 'X-Ring' technology.

Switches-H3C

H3C industrial switches can operate in -40°C - 75°C environments for a long time, and use industrial components to reach IP40 rating. At the same time, with shockproof, anti-electromagnetic



Industrial Automation Ring Network Solution

Efficient Industrial Automation Network This solution builds a basic two-layer network architecture designed to decrease complexity, enhance security, and increase



Industrial Ethernet Switches

For the quickest self healing time, the switches use Advanced Ring Technology will allow the network to self-heal in 10ms to 20ms. Case Industrial switches use



Industrial Ethernet Switch

ORing offers a rugged industrial Ethernet switch portfolio, ranging from unmanaged PoE models to advanced Layer 2/3 managed switches with integrated OT cybersecurity.

Perle P-Ring Protocol , Industrial Managed Switches

For these reasons, ring topology networks are popular within industrial infrastructures (Fig 1). Caution! Storm Warning: However, when using switches to set up a ring



Industrial Ring Networks , ERPS , Antaira Technologies

The Ethernet Ring Protection Switching (ERPS) protocol is a powerful technology and service that can be used on industrial switches to ensure high network availability and prevent network downtime.



X-Ring Ethernet Industrial Ring Technology



Case Communications X-Ring provides an Ethernet Ring between Industrial Ethernet switches, running at 10 Mbps, 100 Mbps or 1 Gbps.



home > product > solutions > industrial ethernet switch

It is undoubted that the power of an Ethernet LAN (Local Area Network) is tremendous when applied to factory floor or industrial automation applications.

Breaking Industrial Network Barriers with

ORing delivers industrial networking, edge AI, and IEC 62443 cybersecurity solutions for railway, power, factory automation, and smart city applications.



Contact Us

For datasheets, pricing, or custom high-speed optical interconnect solutions, please visit:
<https://www.syropy.com.pl>