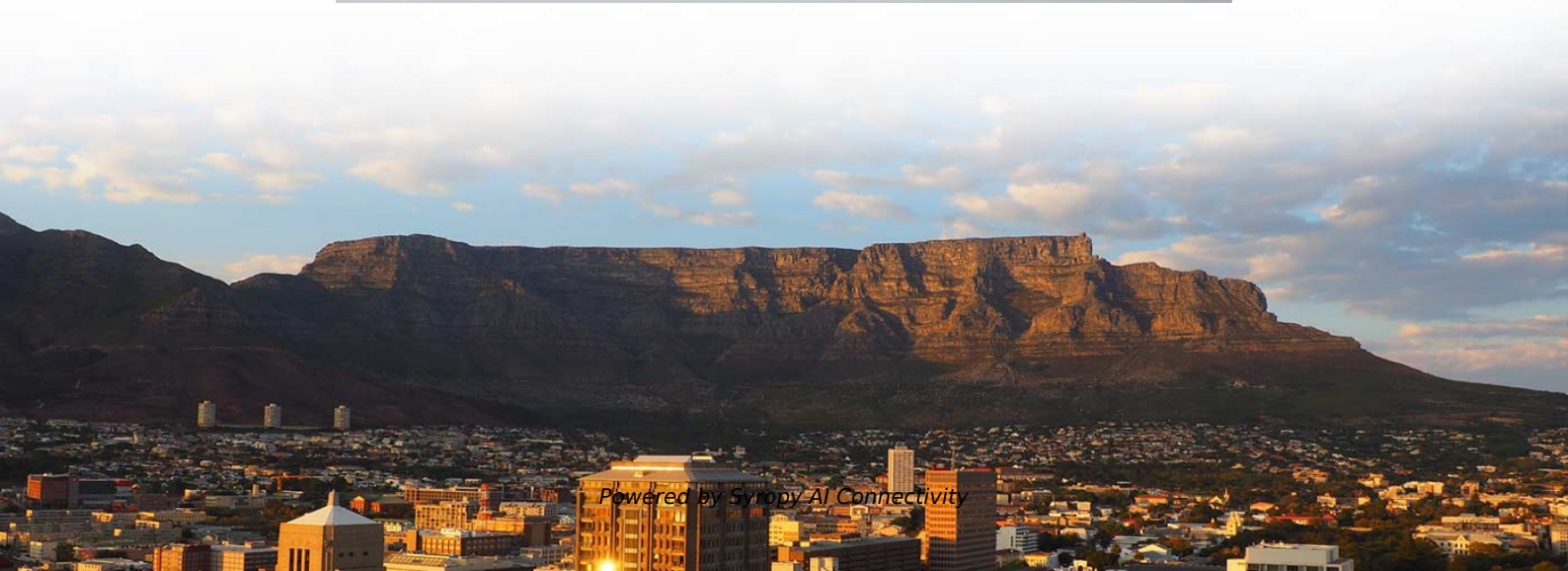


Hungarian optical modulator 2 5G





Hungarian optical modulator 2 5G



Optical Modulators Market Trend, Outlook, Forecast

Optical Modulators Market Size and Share Forecast Outlook (2025 to 2035) The deployment of high-speed optical modulators is projected to grow from

(PDF) Beyond 5G Fronthaul Based on FSO Using

Architecture of the mobile fronthaul network based on FSO, graphene modulator, and spread spectrum codes. FSO: free-space optics. OCDMA: optical



SFP-2.5G Series

The SFP-2.5G Series 1-port 2.5 Gigabit Ethernet SFP modules are available as optional accessories for a wide range of Moxa switches.

Beyond 5G: New optical modulator can operate at 10 times the speed

Kyushu University researchers have successfully developed an ultra-high-speed optical modulator that can operate at more than 10 times the speed of current devices. This modulator was

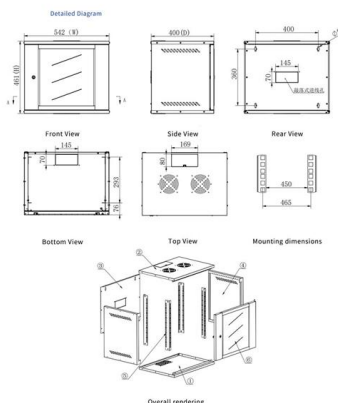


2.5 GHz Modulator/Demodulator - Mouser Hungary

2.5 GHz Modulator/Demodulator are available at Mouser Electronics. Mouser offers inventory, pricing, & datasheets for 2.5 GHz Modulator/Demodulator.

LL-25SFC 2.5G Media Converter Transceiver, 100M/1G/2.5G SFP

True Multi-Rate Conversion - Seamlessly switch between 100M/1G/2.5G Base-T electrical signals and 2.5G Base-SX/LX optical signals with auto-negotiation. Broad Brand Compatibility -



2.5G SFP Transceiver Modules: A Comprehensive Guide

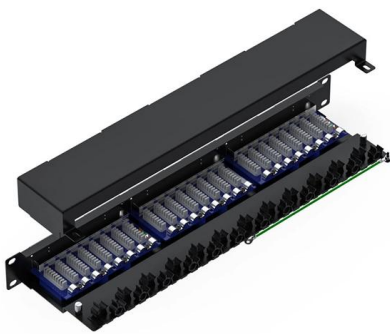
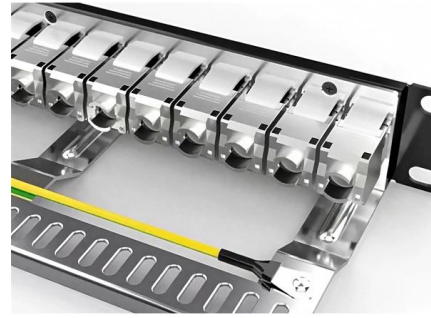
The key factors to consider when choosing a 2.5G SFP transceiver are the required reach, compatibility with the network equipment, and the operating environment.

Maximizing the Area Spanned by the



Optical SNR of the 5G

Download Citation , Maximizing the Area Spanned by the Optical SNR of the 5G Using Digital Modulators and Filters , High security data link channels having more immunity against



Emerging Modulator Technologies in Silicon Photonics

The evolution of high-speed optical modulators in silicon photonics is crucial for advancing optical communication networks amid growing data demands and expanding data centers. This review

Ultracompact Electro-Optical Modulator based Ge₂Sb₂Te₅ on Silicon

Request PDF , Ultracompact Electro-Optical Modulator based Ge₂Sb₂Te₅ on Silicon , We propose an electrically driven electro-optical modulator integrated with the phase-change



High-speed mid-infrared silicon-based electro-optic modulator at 2 um

We demonstrate the Mach-Zehnder interferometer (MZI) silicon-based electro-optic modulators in the short-wave mid-infrared 2 um band. The waveguide st



Ultracompact (3 μm) silicon slow-light optical modulator

Wavelength-scale optical modulators are essential building blocks for future on-chip optical interconnects. Any modulator design is a trade-off between bandwidth, size and fabrication



High-speed mid-infrared silicon-based electro-optic modulator at 2 μm

We demonstrate the Mach-Zehnder interferometer (MZI) silicon-based electro-optic modulators in the short-wave mid-infrared 2 μm band. The waveguide structure and doping position

Silicon optical modulators

CMOS-compatible silicon optical modulators with high modulation speeds, large bandwidths, small footprints, low losses and ultralow power



2000nm Intensity Modulator 2.5G

Our MZM Intensity Modulator built with advanced proton exchange technology, features low insertion loss, high modulation bandwidth and low half-wave voltage, it's widely used in Optical Quantum



2.5G SFP - Optcore

Upgrade your network switches with various 2.5G SFP. Guarantee compatibility with Cisco, Arista, HPE and more. Save 80%, Fast shipping & 5-year warranty.



iszo 2.5G SFP Port Transceiver Media Converter, 20km

The iszo 2.5g media converter transceiver is compatible with a wide range of brand names, including NOKIA, HUAWEI, ODI, and more. It works with 2.5G/1G GPON



Acousto-optic modulator

An acousto-optic modulator (AOM), also called a Bragg cell or an acousto-optic deflector (AOD), uses the acousto-optic effect to diffract and shift the frequency of light using sound waves (usually at radio



LiNbO3 external modulators and their use in high performance analog

The modulator designs given in Section 4.2, and the linearized modulators described in Section 4.3.2, can be built on a variety of materials. Lithium niobate (LiNbO₃) presently is the



2.5G media converter XPON ONU SFP Stick Module GPON/EPON

Upgrade your FTTH network with this 2.5G XPON SFP module. Compatible with Mikrotik and MA5671A, it delivers high-speed GPON/EPON conversion and supports up to 100 km transmission for reliable



20-Gb/s Silicon Optical Modulators for the 2 um Wavelength Band

We demonstrate silicon-on-insulator based high speed modulators working at a wavelength of 1950 nm. The carrier-depletion Mach-Zehnder interferometer modulator

All-optical nonvolatile optical modulator for in-fiber

This in-fiber operating modulator lays the foundation for developing all-optical devices and networks. Schematic of the GST-integrated fiber optical



2.5G SFP transceiver, 2.5G single mode SFP fiber optical module

2.5G SFP transceiver, 2.5G single mode SFP fiber optical module, 1310nm DFB laser and PIN photo detector, 10Km~20Km transmission with SMF



Graphene-based all-optical modulators

Thus far, three all-optical modulation systems utilize graphene, namely free-space modulators, fiber-based modulators, and on-chip modulators. This paper aims to provide a broad

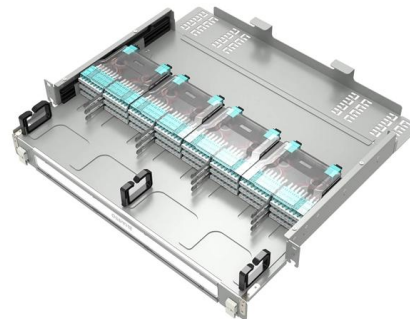


A 5 × 200 Gbps microring modulator silicon chip empowered by two

The authors showcase a five-channel silicon microring modulator array with a total data rate in the terabit range. Each microring is equipped with two separate Z-shape junctions to

Modulators Market Size, Share, and Trends Analysis 2032

The global Modulators market size was estimated at USD 1.45 Billion in 2024 and is estimated to grow at a CAGR of 7.2% from 2025 to 2032.



2.5G SFP Optical Transceivers , FS Transceiver

FS 2.5G SFP solution with low power consumption provides an ideal connection option for 2.5G Ethernet over Cat5e cable, switch to switch interface, and



Network Adapter , Network Products - Juplink

Hier sollte eine Beschreibung angezeigt werden,
diese Seite lässt dies jedoch nicht zu.



Nanophotonic Pockels modulators on a silicon nitride platform

Active devices such as modulators made of silicon nitride still lack performance. Here, the authors demonstrate electro-optic modulators based on ferroelectric lead zirconate titanate films

Contact Us

For datasheets, pricing, or custom high-speed optical interconnect solutions,
please visit:
<https://www.syropy.com.pl>