

Huijue SFP Optical Module



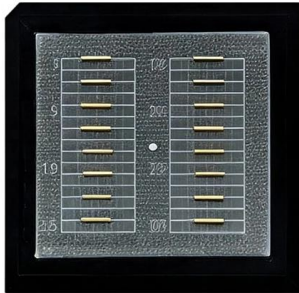


Overview

The HWSFP-10G-SR is a high-performance and cost-effective module that supports SM fiber with a transmission distance of up to 300m and a speed of up to 10. This topic describes the encapsulation types of optical modules on WDM products Small form-factor pluggable (SFP) optical modules are compact, hot-swappable, low-speed optical modules. They comply with the specifications defined in the multi-source agreement (MSA) and support synchronous optical. The SFP-FE-SX-MM1310 (part number: 02315233) is a Huawei-certified 100M optical module. However, the Vendor Name field displays the original manufacturer name, instead of HUAWEI. Discover Huawei Compatible 1G optical and copper SFP transceivers affordable, reliable solutions for stable network performance.



Huijue SFP Optical Module



Huawei Compatible SFP Optical and Copper Transceivers , HPC Optics

Discover Huawei Compatible 1G optical and copper SFP transceivers affordable, reliable solutions for stable network performance. Lifetime Warranty!

10GE SFP+ Optical Modules

10GE SFP+ Optical Modules Translation Favorite
Download Update Date:2024-10-22 Document
ID:EDOC1000013668 Views:1139017
Downloads:3646 Average rating:0.0Points



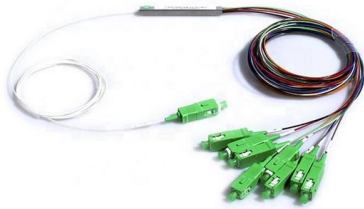
10 Gbit/s SFP+ Optical Modules

10 Gbit/s SFP+ optical modules apply to 10 GE optical ports. The wavelength can be 850 nm, 1310 nm, or 1550 nm, and the transmission distance ranges from 0.5 km (0.31 mi) to 80 km (49.71 mi).



What Is an SFP Module? Complete Guide

A complete guide to SFP modules, including types, SFP vs SFP+ vs SFP28, fiber compatibility, and network applications.

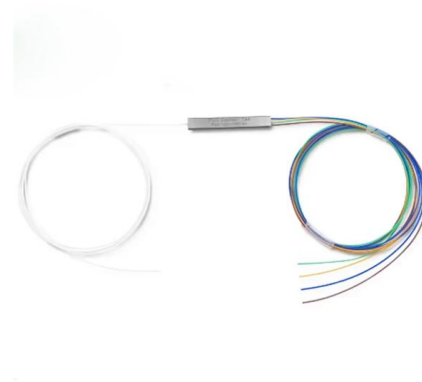


SFP optical module-Products-HiOSO Technology Co., LTD

HS-SFP+10G-SX03-MM-8.5 Gigabit Dual Fiber Multimode SFP Optical Module The optical module is composed of the functional circuit and optical interface of the optoelectronic device, which includes

Optic Modules Datasheet

Features and Benefits The following table lists the different pluggable optic modules and supported platforms, along with the technical specifications for each.



XG-SFP-SR-MM850 10GBASE-SR SFP+ 850-nm 300-m DOM Duplex LC MMF Optical

XG-SFP-SR-MM850 10GBASE-SR SFP+ 850-nm 300-m DOM Duplex LC MMF Optical Transceiver Module Applicable to data center and campus networks, enabling cost-effective, efficient, and high



XG-SFP-LR-SM1310 10GBASE-LR SFP+ 1310-nm 10-km DOM

XG-SFP-LR-SM1310 10GBASE-LR SFP+ 1310-nm 10-km DOM Duplex LC SMF Optical Transceiver Module Applicable to data center and campus networks, enabling cost-effective, efficient, and high

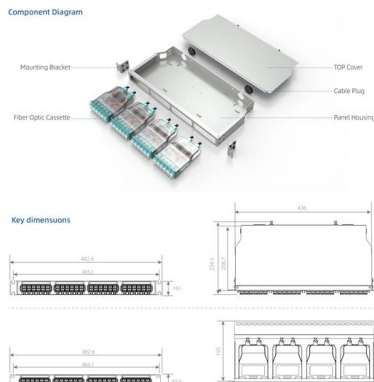


Optical Module Encapsulation Types

The eSFP and SFP optical modules have the same functions and services. They can substitute for each other as long as they have the same optical power, sensitivity, and transmission distance.

8 Pluggable Modules for Interfaces

Huawei S series devices support optical modules of the following encapsulation types: CFP, QSFP+, QSFP28, XFP, SFP, eSFP, and SFP+. All optical modules are hot swappable.



What Is an SFP Module? -- Complete Guide to SFP, SFP+ & SFP28

An SFP (Small Form-factor Pluggable) is a compact, hot-pluggable transceiver module that allows networking equipment -- including switches, routers, servers, and media converters -- to support

What is an SFP Optical Module? The



Complete Guide to

Understand the core function, compare data rates (1G to 25G), learn critical compatibility rules, and follow our 5-step checklist for selecting the perfect



Types of Optical Modules

Huawei S series devices support optical modules of the following encapsulation types: CFP, CFP2, QSFP+, QSFP28, XFP, SFP, eSFP, and SFP+. All optical modules are hot swappable.

1.25 Gbit/s SFP/eSFP Optical Module

1.25 Gbit/s SFP/eSFP Optical Module You can use different levels of 1.25 Gbit/s SFP/eSFP optical modules with GE interfaces and 10 GE interfaces. The wavelength of common



SFP Module: What's It and How to Choose It?

SFP module has been an industry workhorse for over 20 years. This post is going to explore those problems: SFP module types and applications and



Types of Optical Modules

XFP optical modules support LC fiber connectors, and they are wider and longer than SFP+ optical modules. Small form-factor pluggable 28 (SFP28) optical module: has the same caliber as an SFP+



Huawei Optical Module Common Models

Optical modules are important devices in fiber optic communication systems. Huawei Optical Module is manufactured by Huawei Technologies Co. and originated in Shenzhen.

HK-SFP+-10G-20-1310-DF

SFP Module Single Power Supply 3.3V Digital diagnostic monitor compatible with SFF-8472 Duplex LC Connector Hot Pluggable Capability Compliant With ROHS Standard Cost effective SFP solution,



Huawei Optical Modules and Cables

Buy Genuine Huawei Optical Modules and Cables from GenuineModules with best price and fast worldwide shipping.



Types of Optical Modules

Huawei S series devices support optical modules of the following encapsulation types: CFP, QSFP+, QSFP28, XFP, SFP, eSFP, and SFP+. All optical modules are hot swappable.

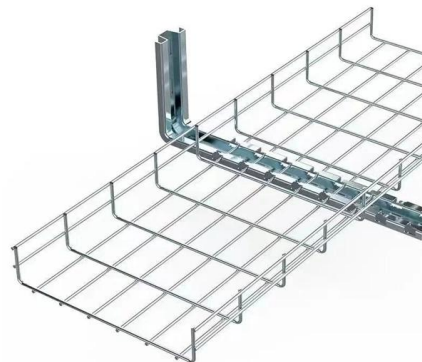


Huawei Technical Support

This document provides technical details about 1Gbps eSFP Optical Modules, including specifications and support information.

10GE SFP+ Optical Modules

This document describes hardware components of the S9700, including the cabinet, chassis, power supply facilities, fan modules, cards, cables, and pluggable modules for interfaces.



10 Gbit/s SFP+ Optical Modules

You can use different levels of 10 Gbit/s SFP+ optical modules only with 10 GE interfaces. The wavelength of these 10 Gbit/s SFP+ optical modules can be 850 nm, 1310 nm, or 1550 nm, and the



SFP+ 10G SR Optical Module 850nm Multimode Fiber Optic Module

The HWSFP-10G-SR is a high-performance and cost-effective module that supports SM fiber with a transmission distance of up to 300m and a speed of up to 10.3125Gbps.



SFP vs SFP+: A Complete Guide to Compatibility and

Explore the ultimate guide to SFP vs SFP+ compatibility, covering interoperability and backward compatibility of SFP+ modules for seamless high

Contact Us

For datasheets, pricing, or custom high-speed optical interconnect solutions, please visit:
<https://www.syropy.com.pl>