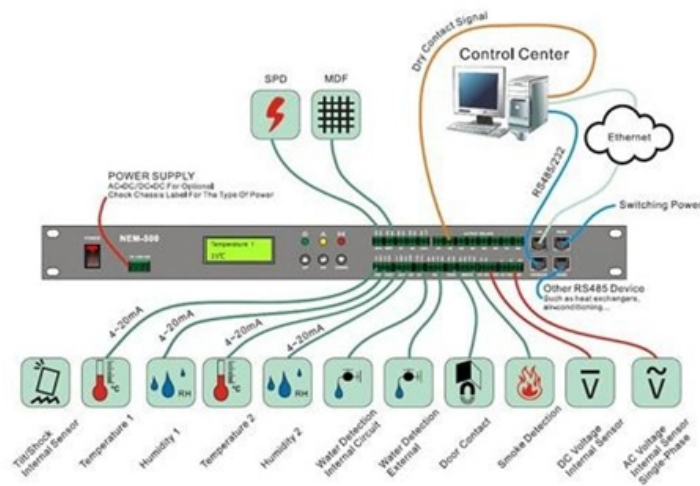


# Huijue Core Switch and Firewall





## Huijue Core Switch and Firewall

---



### Firewall at Edge vs Core : r/networking

Obviously I would think having a firewall at the Core switch is ideal, however sometimes this may not be possible, (depending where the ISP connection is).

### Core layer , FortiSwitch 7.6.0 , Fortinet Document Library

With 8x100-GbE QSFP28 slots per FortiGate unit, it provides enough capacity to directly connect with 2x100-GbE ports to each of the two core FortiSwitch units at a nonstop forwarding capacity of up to



### What is a Core Switch , Functions and Difference over Normal Switch

What is a core switch and how it works? This article builds the basics of this kind of switch for the ones who don't know anything about it. What is a Core Switch? It is a powerful

### Network Switches , Huawei Enterprise

Huawei Ethernet Switches Turbocharge your enterprise network with high-performance, high-availability for resilient services and simplified management.



### **Huawei Enterprise Support Community**

Huawei support community is a communication center for sharing experiences and knowledge, solving questions and problems for enterprise partners, customers and engineers.



### **Solved: Connectivity from Core to Firewall**

You want to simply extend L2 all the way from the access switch to the firewall so all ports need to be L2 until they get to the L3 interface on the



### **Huijue Core Network ITC Equipment Room Upgrade at Jiangxi**

Huijue transformed the core network ITC equipment room at Jiangxi Telecom Tower, improving efficiency, reliability, and 5G readiness for the core network to further drive digital innovation in





### Link between Firewall and Core Switches : r/networking

Link between Firewall and Core Switches We will soon be deploying some core switches. When going upstream (towards outside) from the core L3 switches to a set of firewalls, I'm unsure if the the links



### Firewall compartmentalization , Huijue Group E-Site

Firewall compartmentalization emerges as the critical redesign principle for today's hybrid infrastructures. But how does it fundamentally alter threat containment dynamics?

### Example for Configuring a Layer 3 Switch to Work with a Firewall for

Example for Configuring a Layer 3 Switch to Work with a Firewall for Internet Access Layer 3 Switch Layer 3 switches provide the routing function, which indicates a network-layer function in the OSI



### Features and Applications of Core Switches

They also support integration with security devices like firewalls and intrusion detection systems to enhance overall network security. Core Switches typically feature modular designs that



## Connecting Core switch to firewall

Hi guys, I have a 3750X four-switch stack acting as the core of a fairly simple LAN. All I need to achieve (and this seems inordinately hard, but it is entirely likely that I'm just being dense) is

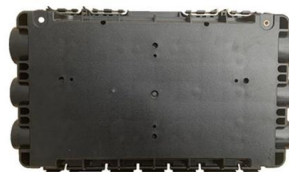


## FS Community

Hier sollte eine Beschreibung angezeigt werden, diese Seite lässt dies jedoch nicht zu.

## Features and Applications of Core Switches

Core Switches also provide intelligent routing, QoS assurance, security, scalability, and manageability. A well-matched Core Switch configuration is a strong support for building powerful,



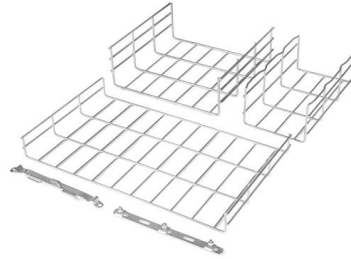
## Gateways on Core Switch vs Firewall : r/networking

Gateways on Core Switch vs Firewall I'm struggling with some design options for a network redesign I'm planning at my company. The background: Today I'm running a relatively simple network topology.

## Routing on firewall or core switches? : r/networking



On Fortigate or core switches. In my research I'm getting mixed suggestions - Some say that core switches are for routing, when others say that core switches have to be as fast as possible and have

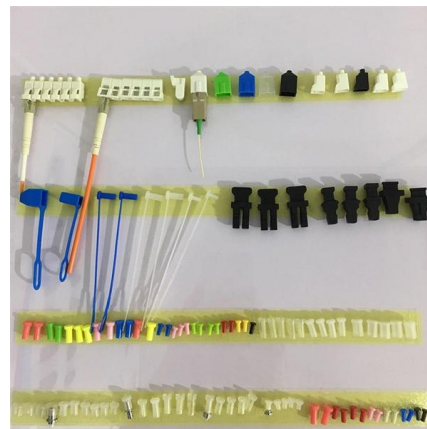


### Data Center Switches

Data Center Switches CloudEngine Data Center Switches -- Ethernet switches widely used in diverse applications and in different network sizes, in both data

### Connecting Firewalls to Egress Routers Directly

At the egress of a large campus network, core switches are directly connected to upstream firewalls and connected to egress gateways through firewalls. Two routers function as egress gateways and are



### Network Setup for core and firewall

Internet modem-----core switch-----firewall  
Scenario: Internet modem - send to core switch the internet core switch - NAT configuration, vlan configuration and DHCP connection ASA



## Firewall Deployment: Edge vs. Core

Deciding between edge and core firewall placement depends heavily on specific network characteristics and security requirements. To aid in this decision, here is a detailed comparison table highlighting



### Best Practices

Hi Everyone, Just trying to get some others insight on how this should be best configured. So we currently have 2 firewalls setup in an HA. We only had

## Umzug der Firewall und Einsatz eines Core-Switches

2) Welchen Switch würdet ihr als Core-Switch dafür einsetzen, der genug Bandbreite hat, um alle Switche zentral anzubinden und per Glasfaser mit



### Network Setup for core and firewall

They all share the same core switch while having a personal firewall (obviously). If that is not your case, I would recommend following the above advice about swapping the ASA and core



## Configuring Physical Links (Aggregated Links Between the Core Switch

Context The aggregated links between the core and access switches have been configured using the network plan import function during site creation; the aggregated links between the core switch and

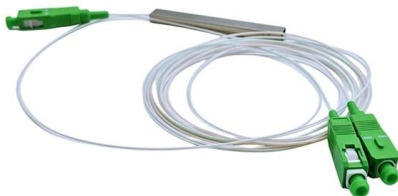


## Leading ESS Manufacturer & Solution Provider

Founded in 2002, Huijue Group is a high-tech service provider integrating the integration and application of intelligent network equipment and intelligent energy

## Company Profile

Huijue Group has always taken the core values of "customer-centered, people-oriented, continuous innovation and achievement sharing", and has helped the green, healthy and sustainable



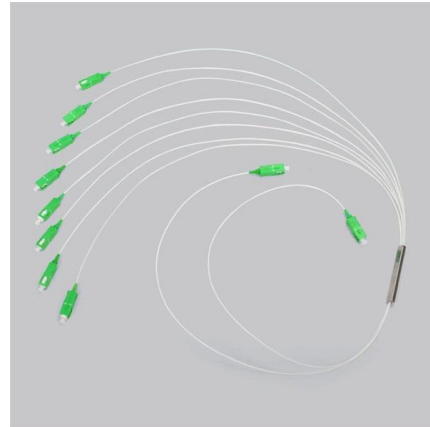
## Huijue Core Network ITC Equipment Room Upgrade at Jiangxi

In Jiangxi Province, Huijue successfully completed the core network ITC equipment room upgrade in Jiangxi Telecom Tower. Their work positioned the region at the forefront of digital innovation and



## Internet Connection Termination: Core Switch vs Firewall

My colleague argued that internet connections should not be terminated on the core switches or internal access switches but rather directly on the firewall or using dedicated external WAN switches.



## Contact Us

---

For datasheets, pricing, or custom high-speed optical interconnect solutions, please visit:  
<https://www.syropy.com.pl>