

Huawei Moldova Optical Module





Huawei Moldova Optical Module



Strengthen door locks
More durable and aesthetically pleasing



Grounding screw
More aesthetically pleasing and safer



Removable hinges
Make operation more convenient



Sealing strip
Dustproof and waterproof

What Is StarryLink Optical Module? Why Do We Need It?

The StarryLink optical module is a core component developed by Huawei for data center networks. It delivers ultra-long-distance transmission, exceptional reliability, and enhanced security,

Huawei OSFP-800G-2DR4 Optical Module Datasheet

The transmitting end of an optical module converts electrical signals into optical signals, while the receiving end converts optical signals back into electrical signals. Optical modules are classified by



Huawei Campus Optical Module Portfolio

In addition to the optical-to-electrical conversion function, the optical forwarding module integrates many signal processing functions, such as MUX/DEMUX, CDR, function control, performance data

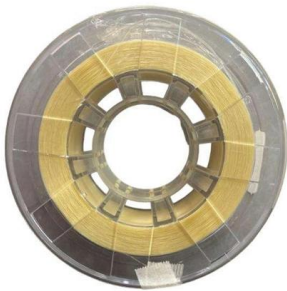
Huawei Unveils StarryLink Optical Modules That

At MWC Barcelona 2025, Huawei introduced the StarryLink optical modules, aimed at creating a network experience with "3S" quality (Spanning, Stable, Secure). This launch took place



Huawei Technical Support

Discover how to view the serial number of an optical module with step-by-step guidance from Huawei Technical Support.



What Is an Optical Module and Its FAQs (V200)

As an important part of fiber-optic communication, an optical module is a photoelectric converter which converts electrical signals into optical signals and vice versa. An optical module works at the physical

Integrated Aluminum Alloy
Die Casting



Durable and Secure Metal Screws



Optical Access

Based on PON technology, passive all-optical network access solutions enable access by any media, tailored to enterprises, ISPs, and MSOs.





StarryLink Optical Module

The short-distance optical return loss positioning technology enables precise and efficient identification of contaminated or loose optical modules, achieving minute-level fault locating.

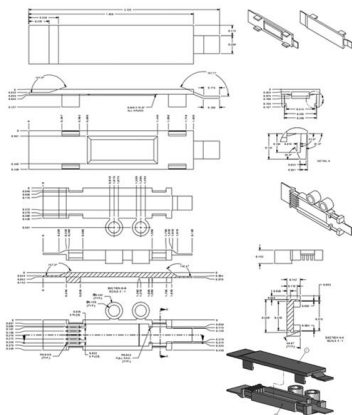


Huawei Campus Optical Module Portfolio

When two optical interfaces have copper modules installed, the interfaces can be connected using a copper cable. Currently, Huawei offers only GE copper modules with RJ45 interfaces.

Checking the Optical Module Type

When certifying an optical module, Huawei switches comprehensively verify optical module functions to ensure the optical module quality. The functions include the installation and removal, transmit and



Understanding Optical Modules

Understanding Optical Modules Appearance and Structure of an Optical Module Types of Optical Modules Optical Module Terms Rules for Optical Module Interoperation



Understanding Optical Modules

On an optical network, a sender needs to convert electrical signals into optical signals before sending them to a receiver, and the receiver needs to convert received optical signals into electrical signals.



Huawei Optical Module Common Models

Optical modules are important devices in fiber optic communication systems. Huawei Optical Module is manufactured by Huawei Technologies Co. and originated in Shenzhen.

Huawei Launches Industry's First 800G Tunable Ultra-High-Speed Optical

At the Huawei products and solutions launch in London, Peng Song, President of Huawei's Carrier BG Marketing and Solution Sales Dept, Launched the industry's first 800G tunable



Optical Modules in Intelligent Computing Scenarios

Optical Modules in Intelligent Computing Scenarios In the AI era, Huawei provides a full range of GE to 800GE optical modules, featuring three major capabilities: Spanning (ultra-long transmission), Stable



Optical Modules in Intelligent Computing Scenarios

Huawei provides a full series of pluggable optical modules. A wide variety of modules give you flexible plug-and-play options for all types of interfaces.



10GE SFP+ Optical Modules

OMXD30000 OSX010000 OSX040N01
OSXD22N00 SFP-10G-BXD1 SFP-10G-BXU1
SFP-10G-ER-1310 SFP-10G-ER-SM1270-BIDI
SFP-10G-ER-SM1330-BIDI SFP-10G-LR-I SFP-10G-
USR SFP-10G

Is Huawei a manufacturer of optical chips or optical modules?

6. Conclusion Huawei is both a producer of optical modules and a developer of optical chips, but its public identity is stronger in optical modules, as these are the end products deployed worldwide. Its



Huawei Data Center Network Short-Distance Optical Module Portfolio

In order to work efficiently, BIDI optical modules must be paired, and the duplexer must be tuned to match the desired wavelengths of the transmitter and receiver to achieve bidirectional data



Optical Module: Typical Optical Module Troubleshooting Procedure

Check the model of the faulty optical module. If it is not a Huawei-certified optical module, replace it with a Huawei-certified optical module. If the optical module is installed on a GE port, run the display



Typical Troubleshooting Cases of Optical Module

General Optical Module Troubleshooting Procedure Check whether an optical module is a bogus one. An optical module delivered by Huawei is uniquely identified by an SN. If two or more optical

Types of Optical Modules

Optical modules are encapsulated in different modes to provide different structures. Huawei routers support optical modules of the following encapsulation types: SFP, eSFP, SFP+, XFP, and QSFP+.



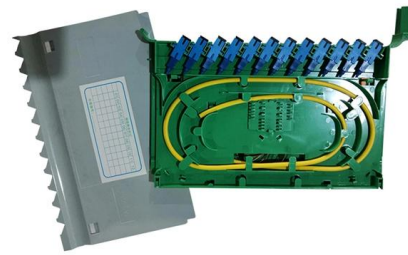
Displaying Optical Module Information

When certifying an optical module, Huawei comprehensively verifies the functions of the optical module to ensure the optical module quality. The functions include the installation and removal, transmit and



Huawei Optical Modules and Cables

Buy Genuine Huawei Optical Modules and Cables from GenuineModules with best price and fast worldwide shipping.

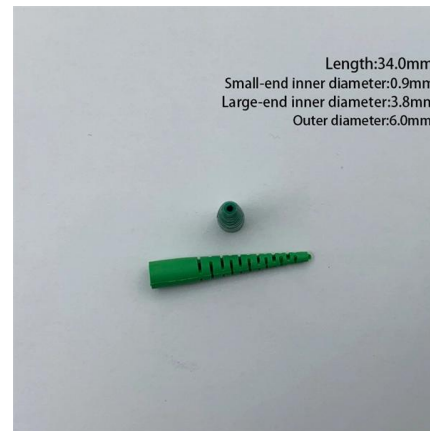


Types of Optical Modules

Therefore, when using such optical modules, select optical fibers of an appropriate length to ensure that the actual receive power is smaller than the overload power. If the optical fibers connected to a long

Optical Modules in General-Purpose Computing Scenarios

Huawei offers a comprehensive portfolio of pluggable StarryLink optical modules for data center networks, with various models providing flexible plug-and-play solutions tailored to diverse interface



Understanding Pluggable Optical Modules

Therefore, when using such optical modules, select optical fibers of an appropriate length to ensure that the actual receive power is smaller than the overload power. If the optical fibers connected to a long



Huawei Optical Modules and Cables

Buy Genuine Huawei Optical Modules and Cables from GenuineModules with best price and fast worldwide shipping.



Contact Us

For datasheets, pricing, or custom high-speed optical interconnect solutions, please visit:
<https://www.syropy.com.pl>