

# **How to wire a double-layer three-level distribution box**





## How to wire a double-layer three-level distribution box

---



### How to Wire a Home Distribution Box

How to Wire a Home Distribution Box - Step-by-Step , Distribution DB box wiring diagram  
Welcome to our channel! In this video, we'll walk you through the

### How to Wire Three Phase 400V Distribution Board

Distribution Board or DB is an electricity supply system or a common enclosure that distributes the electrical power feed into subcircuits it isolates the circuit during fault conditions due to



Product parameters

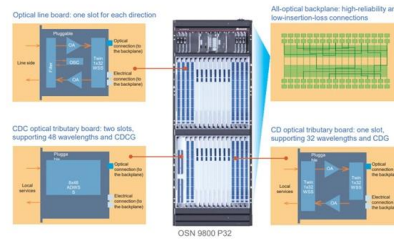


### How to Install a Cable Distribution Box Safely and

In modern electrical systems, cable distribution boxes (also known as electrical distribution boxes or distribution boxes) play a crucial role as the key

### The difference between the first, second, and third levels of

Third level distribution box: refers to the final junction box of each electrical appliance, which can be movable and fixed. Remember that the leakage protection switch is the last one, and



### 3 Phase Distribution Board Diagram For Multi Story House

A complete guide about 3 phase distribution board diagram or three phase wiring installation in multi story house or building In Urdu & Hindi.

### How to Wire a Home Distribution Box

Main Distribution Board or Fuse Boards (Consumer Unit) usually contains on the following three main units to control and distribute electric supply



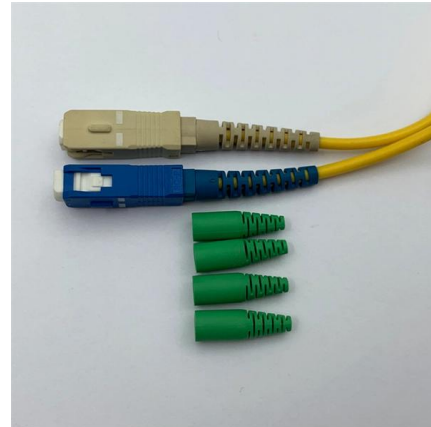
### 3 Phase Distribution Board Layout and Wiring Diagram /

I try to explain three phase distribution board layout and wiring diagram. Three phase power supply is required, when the Power distribution



## LANCOM Tech Paper Two-Tier and Three-Tier Switch Architectures

Two-tier and three-tier switch architectures  
When structuring the logical architecture of an enterprise network, decisive factors include the efficient and secure transport of data, high scalability, and high



### The installation requirements for the distribution box

Learn how to install a distribution box safely and correctly. Covers wiring, placement, standards, and expert tips for a compliant setup.

### on video How to Wire a Home Distribution Box

Main Distribution Board or Fuse Boards (Consumer Unit) usually contains on the following three main units to control and distribute electric supply to the different



### Wiring of A Three Phase Distribution Board

Wiring a Three Phase Distribution Board is of a necessity when the Power Distribution requirement cannot be handled by a Single Phase Power Supply.





## Understanding Circuit Breaker Wiring Configurations in

Correct wiring methods for circuit breakers within distribution boxes are fundamental to ensuring electrical safety and compliance with established codes.



## Three (3) Phase Distribution Board Wiring Diagram and

First of all, select the ratings of the MCCB and MCBs as per your load requirements. Identify the input and output terminals of the MCCB and MCBs.

## How does a 3-phase distribution board work?

Discover what a 3-phase distribution board is and how it works in Australian electrical systems. Learn about its components, design, load balancing



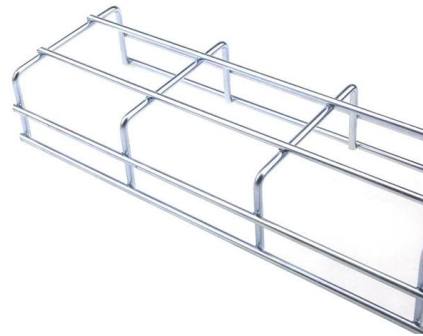
## Essential Rules for 3-Level Electrical Distribution

Follow key principles: no cross-level wiring, one machine-one switch,  $\leq 30m$  box spacing, dry/ventilated installation for safe distribution.



### Three-Tier Power Distribution System in a Newly Constructed

Learn about the three-tier power distribution system (main secondary tertiary distribution boards) in a new residential area including their roles connections and safety measures for 0.4kV power supply.



### Step-by-Step Guide to Wiring a 3 Phase DB Box

Learn about the wiring process for a 3 phase distribution board (DB) box, including the necessary steps and safety precautions. Understand how to connect the

### Three Phase Electrical Wiring Installation in a Multi-Story Building

A complete guide of "3 phase wiring installation in multi story building" or how to wire 3 phase distribution board for multi-story building.



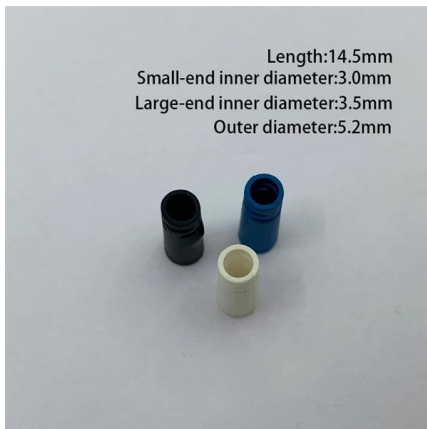
### How to Wire a Home Distribution Box

Welcome to our channel! In this video, we'll walk you through the process of wiring a home distribution box with a detailed connection diagram.



## The Meaning and Function of Primary, Secondary, and Tertiary

Forms part of the three-level protection system. Features inner and outer doors, powder-coated exteriors, and rainproof tops for outdoor use. Tertiary Distribution Box: The system includes a



## How to Wire a Home Distribution Box

In this video, we'll walk you through the process of wiring a home distribution box with a detailed connection diagram.

## Three Phase Distribution Board Wiring Guide

1) Wiring a three phase distribution board is necessary when single phase power supply cannot handle the power distribution requirements. It helps ensure the



## Step-by-Step Guide to Wiring a 3 Phase DB Box

Learn about the wiring process for a 3 phase distribution board (DB) box, including the necessary steps and safety precautions. Understand how to connect the incoming power supply, distribute it to





### Three Phase Distribution Box Functions and

A three phase distribution box safely distributes and protects power for large equipment in factories, buildings, and high-demand commercial settings.



## Contact Us

---

For datasheets, pricing, or custom high-speed optical interconnect solutions, please visit:  
<https://www.syropy.com.pl>