

How to wire a China Unicom optical splitter





How to wire a China Unicom optical splitter

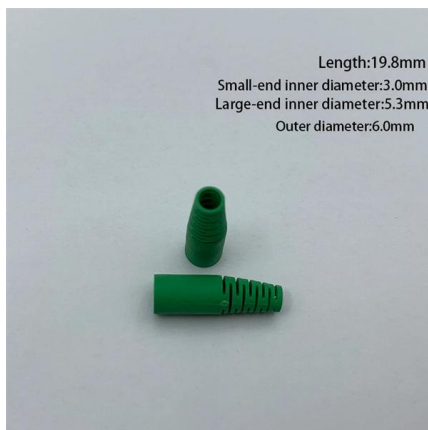


How to install a fiber optic splitter step-by-step?

Installing a fiber optic splitter involves several crucial steps to ensure proper functionality and reliability. Here's a step-by-step guide to help you through the process:

How to Use a Cable Splitter

If you are willing to buy a cable splitter but don't know much about it, then check this guide to know how to use a cable splitter and how it will help you.



Hack China Unicom Optical Modem , colorfulshark

Normally, in Fiber-to-Home condition, optical modem will take charge of PPPoE dialing, then the router connected to it will regard it as a gateway. Such

Microsoft Word

Overview Unicom's new Power over Ethernet (PoE) Splitter Adapter provides Ethernet data and DC power to a network device that is not compliant with the IEEE802.3af standard (non-PoE). This



How to install and use a fiber optic splitter?

The following is a guide to installing and using a fiber optic splitter, including key steps and precautions:

Common Fiber Optic Splitter Installation Mistakes to Avoid for Optimal

Fiber optic technology has revolutionized the telecommunications industry, providing high-speed data transmission over long distances with minimal loss. However, the installation of fiber optic splitters,



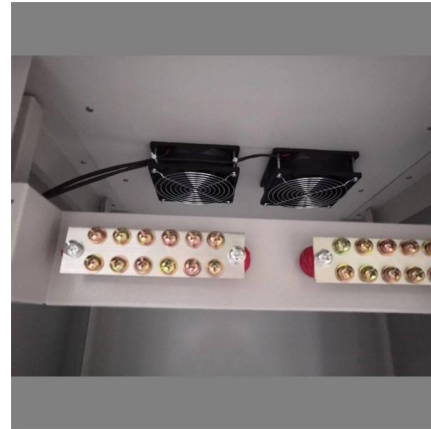
How to install a fiber optic splitter step-by-step?

Step 3: Install the Fiber Optic Splitter Identify Ports: Determine the input and output ports on the fiber optic splitter. Typically, the input port will have a single fiber connection, while the output



How to Use Optical Couplers and Splitters in Fiber Networks

Optical coupler and splitter guide: split or combine fiber signals, choose the right device, and optimize your fiber network for reliable performance.



Unicom optical cat TV box configuration

The author uses Beijing Unicom broadband and feels that this optical cat is very uncomfortable to use. I don't know if there is a way to integrate the optical cat and the router together to replace th

Your Go-to Guide to Optical Splitter

The optical splitter is an optical power distribution device that splits one optical signal into multiple optical fiber signals to achieve multichannel transmission.



Unicom 2500 User Manual V.1.2

When DCE (Data Communication Equipment) is selected the Unicom-2500 receives data on Pin3 and transmits on Pin2 (DB-9 connector). When DTE (Data Terminal Equipment) is selected, Pin3 is the



China Optical Splitter, Optical Splitter Wholesale, Manufacturers

The Optical Splitter is a premium choice in the Fiber Optic Equipment category. Identify leading distributors by their ability to offer competitive wholesale prices and insider deals on new custom



1 type of outdoor four-network-in-one optical cable junction box

The product has a modular design and an optimized optical cable management system to achieve cross-connection or interconnection between the trunk optical cable and the distribution optical



UNICOM User Manuals Download , ManualsLib

View & download of more than 188 UNICOM PDF user manuals, service manuals, operating guides. Switch, Media Converter user manuals, operating guides & specifications



China Unicom

China United Network Communications Group Co., Ltd., doing business as China Unicom, is a Chinese state-owned telecommunications operator. Originally founded in 1994 as a wireless paging and GSM



How to Connect a Splitter to Another Splitter: A



In this guide, we'll explain how to safely connect a splitter to another splitter, covering both fiber optic and coaxial setups.



White Paper on China International Optical Cable Interconnection

China's international interactions, requirements on its networks' ability to provide global services, and both opportunities and challenges in the submarine optical cable industry. Chinese enterprises



Optical Splitters for Central Office/Headend

Find out how the incorporation of fiber-optic splitters reduces the number of fibers in the network--decreasing both the footprint and investment cost of network rollouts.



Surelink Sc Upc Lgx Box Cassette Type Splitter 1: 2 1: 4 1: 8 1: 16 1:

Surelink SC UPC LGX box cassette type splitter 1:2 1:4 1:8 1:16 1:32 PLC splitter fiber optical splitter card inserting splitter Planar wave guide optical separator (PLC Splitter) is an integrated wave guide

Fiber Optic Splitter Box High Capacity IP55



Outdoor Distribution Box

Type Fiber optic distribution box Use FTTX Systems Network Wireless Lan, Bluetooth, Wired LAN, TCP, Ip, POE, Gprs, Wi-Fi, 4 G, Gsm, 3 G, Wiegand Model Number YY-H022 Brand Name YUYANYI

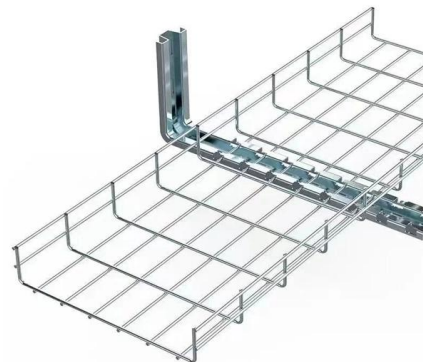


LiNKFOR 1x3 Toslink Optical Fiber Audio Splitter

?Optical Audio Splitter 1x4?One way of optical fiber signals splitter to four sets of SPDIF/TosLink/Optical signal receiving device.

Multiple 1xN Ultra Broadband Splitter Series

Our multiple 1xN planar waveguide splitters are first choice as uniform broadband power splitters / combiners in a large variety of telecom and sensor applications.



- IP65/IP55 OUTDOOR CABINET
- ALUMINUM
- OUTDOOR ENERGY STORAGE CABINET
- OUTDOOR EQUIPMENT CABINET

POE Splitter_manual

Overview Unicom's new Power over Ethernet (PoE) Splitter Adapter provides Ethernet data and DC power to a network device that is not compliant with the IEEE802.3af standard (non-PoE). This



SPL2605 Compact Optical Splitter Datasheet 02

SPL2605 is a compact optical splitter datasheet by Huawei, providing technical specifications and features for efficient fiber optic network solutions.



Optimize Your Selection: A Guide to Choosing the Right

Choosing the right optical splitter can be confusing with so many options available. This guide will simplify the process and provide valuable



How to Install a 2 Way Coaxial Splitter: A Step-by-Step Guide

Installing a 2-way coaxial splitter is a simple yet crucial step when it comes to setting up a home entertainment system or establishing a cable TV network.



How to Splice Optical Fiber Cable Practically with

How to Splice Optical Fiber Cable Practically with Splitter for Beginner Tutorial Part-1 Nijukti Khabar 3.29K subscribers Subscribe



Do You Know How to Place and Use the Optical Splitter?

In the realm of optical communication networks, the optical splitter serves a vital role in dividing and distributing optical signals efficiently. Understanding how to properly place and use an



UNICOM III Probe User Manual

Learn how to install and use the UNICOM III Probe with this user manual. Covers ANSI/IEC probes, USB drivers, and troubleshooting tips.

Contact Us

For datasheets, pricing, or custom high-speed optical interconnect solutions, please visit:
<https://www.syropy.com.pl>