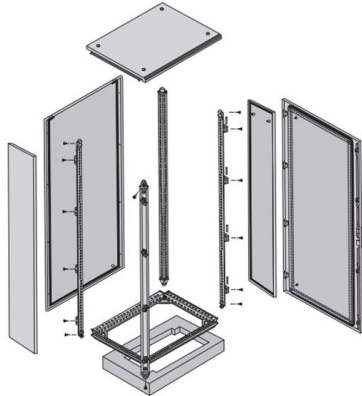


How to use the optical module ODF





How to use the optical module ODF

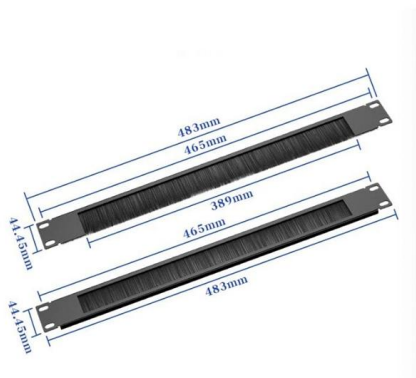


waifu-diffusion/tokenizer/vocab.json at main · jack-op11/waifu

Contribute to jack-op11/waifu-diffusion development by creating an account on GitHub.

Optical Distribution Frame (ODF): The Complete Guide for Fiber

Comprehensive guide to Optical Distribution Frames (ODF) for data centers. Learn ODF types, installation best practices, fiber management, patch panels, MPO/MTP solutions, and high



AI data centers hit interconnect limits, boosting optical module demand

The surge in optical module stocks reflects a deeper shift in AI infrastructure: the bottleneck is no longer computing power alone, but how that power is connected.

iPhone 16 Pro: How to Use 5x Optical Zoom

To use 5x optical zoom in the stock Camera app, simply tap the 5x button at the bottom of the viewfinder. When 5x optical zoom is enabled, you can



OFC 2026 - Scaling Up Optical Network Density

Double-sided pluggable transponder. The idea is simple: combine the client optical transceiver and the coherent optical transceiver into a single pluggable module. One use case for

Guide to Optical Distribution Frames (ODFs)

This complete guide explores everything you need to know about ODFs -- from their structure, types, and key components, to installation best



Optical Distribution Frame (ODF) in Telecom: Types & Uses

Enter the Optical Distribution Frame (ODF)--a foundational component that serves as the "nerve center" for fiber optic management, enabling seamless connectivity, efficient maintenance,

QSFP Optical Module Planning for the Future: Key Trends 2026-2034



Explore the dynamic QSFP optical module market, forecast to reach \$14.7 billion by 2025 with a 4.5% CAGR. Discover key drivers, trends, and applications in high-speed networking and data



HMS Networks

HMS creates products that enable industrial equipment to communicate and share information with software and systems. In short: Hardware Meets Software(TM).

Fiber Patch Cords: Types and How to Choose the Right

Fiber patch cords are a critical component of modern optical networks, and choosing the right type is essential for ensuring optimal performance, reliability, and cost



Insta360 Go 3S Retro Bundle Brings an Optical Viewfinder to Action

Insta360 launches the Go 3S Retro Bundle, a retro-inspired action camera setup with an optical viewfinder, 4K video, and vintage-style shooting features.



Nvidia's aggressive laser procurement spurs supply

Optical module makers could face component shortage as Nvidia reportedly hoards EML supply



ODF Explained: Types, Architecture, Management

A complete engineering guide to Optical Distribution Frames (ODF): types, components, fiber capacity planning, MPO/MTP compatibility, protection

Optic Modules Datasheet

Data Sheet datasheet is intended to guide the user through the various options available when choosing an optic module for a given platform depending on the architecture.



What is an Optical Distribution Frame (ODF) and How to

Learn what an Optical Distribution Frame (ODF) is, its key components, types, and how to choose the best ODF for your fiber optic network

What are the key components and



functions of the

Its key components and functions provide a comprehensive solution for managing fiber optic connections, ensuring efficient signal distribution, and



Optical Module Supply Chain Financial Data Tracking · Issue 1, May

Optical Module Supply Chain Financial Data Tracking · Issue 1, May 2026 This week covers the disclosure window from late April to early May. Core signals indicate that leading

ODF Modules

ODF modules are essential for the management and organization of fiber infrastructure, particularly in data centers, telecommunications rooms, and large-scale networks. These modules ensure the



interface	SFP+	rate	10Gbps
Line length	1-100m	Wave diameter	850nm

How to enter the ODF wiring rack optical fiber?

It is used to terminate, connect, and distribute optical fibers, and it can be installed in various environments such as data centers, telecom rooms, and central offices. In this article, we will





The ODF consists of a metal housing, cable entry ports, splice trays, holders for splice protectors, pigtailed, and adapters. Cables are fed into the ODF, where the fusion splicing of cable fibers to the

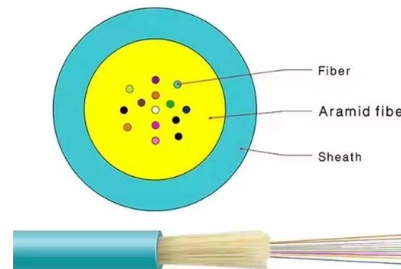


All Details About Optical Distribution Frame (ODF)

It usually consists of a rack in which fiber optic splice trays and wiring trays are installed. The fiber optic splice tray is used to hold the fiber optic

CEO interview: Celestial AI's terabit optical interconnect

The one difference is one mask for germanium, its not capital intensive." "This enables us to use the photonic fabric as an architectural building



Optical Transceiver Companies

Cisco Systems, Inc. offers optical transceiver modules used in various networking applications, ranging from campus to data centers to service provider networks. Its pluggable optics innovation,



Google's High-Speed Interconnect Architecture to Push

Google's next-generation TPU, Ironwood, integrates a 3D Torus network topology with the Apollo optical circuit switch (OCS) all-optical network,



Celestial AI Photonic Fabric Module at Hot Chips 2025

Celestial AI Photonic Fabric Module Hot Chips 2025 Electronics versus Optical Here is a slide on the beachfront advantage which may impact

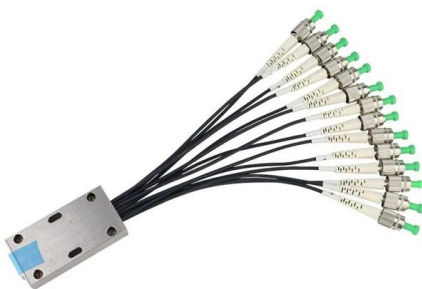
MPO/MTP® Jumper, Harness, and Trunk Cables: What Are the

Therefore, the MPO Jumper is commonly used. A typical example is a QSFP module to MPO panel connection, providing low loss and easy maintenance. #3 Telecom Operators / Central



How to Test a Transceiver with an Optical Power Meter and OTDR

Accurately testing an optical vysiela means proving two things: that the module is emitting the right power at the right wavelength, and that the link it's attached to delivers that signal without





Contact Us

For datasheets, pricing, or custom high-speed optical interconnect solutions, please visit:

<https://www.syropy.com.pl>