

# How to use an FTTB fiber distribution box





## How to use an FTTB fiber distribution box

---



### How To Use Fiber Distribution Box?

A fiber distribution box, also called a fiber termination box, is a protective enclosure that connects fiber optic cables from the service provider to

### Nepal Telecom Fiber Internet: Price, Speed, Offer,

Find all the information about Nepal Telecom fiber net (NT Fiber) offers, price & combo packs for high-speed internet, telephone, TV in 2026.



### Surface Mount Fiber Termination Enclosure with 2

The integrated optical interface allows for seamless linking of fiber patch cords to the ONU in both FTTH and FTTB network architectures. The fiber wall outlet is widely



### Fiber Termination Boxes: A Beginner's Guide to

A Fiber Termination Box, also known as a Fiber Distribution Box, is a crucial component in fiber optic networks. It serves as a termination point for



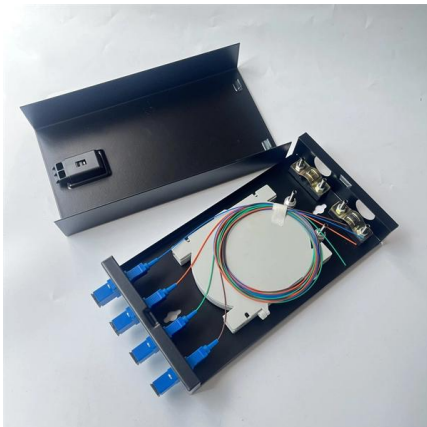
### **SC/APC 1 Port FTTH Fiber Wall Outlet, Surface Mount**

The 120\*90\*25mm 1 port FTTH fiber wall outlet is a subscriber's fiber termination box that designed for the connection between indoor/drop cable and ONT.



### **ETS Fiber Optic Distribution Box 2 Core**

The box is engineered to simplify fiber management and ensure secure connections, making it an essential component in modern fiber optic networks. Built from high-strength ABS or PC+ABS



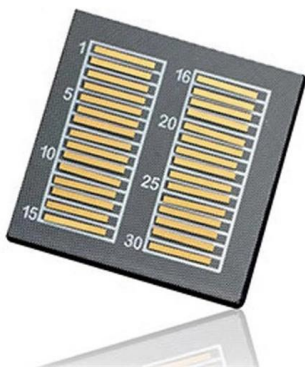
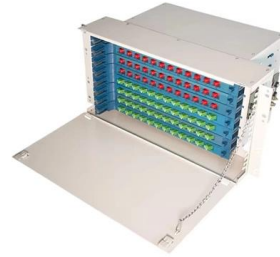
### **What is fiber to the home (FTTH)?**

Learn about fiber to the home and compare it to other methods of cable connectivity, such as coaxial, twisted pair and other fiber-to-the-x infrastructures.



## 10 Knowledge About Fiber Optic Distribution Box

The fiber optic distribution box is a widely used product in FTTH and FTTB. Its main function is to safeguard the connection point of the optical cable to

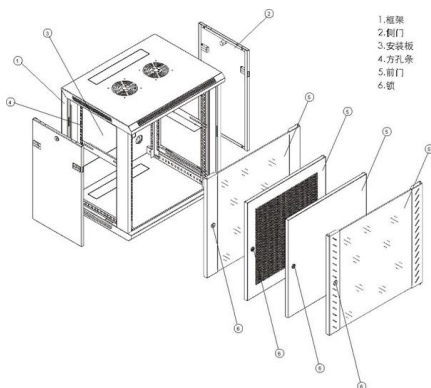


## 24 Ports Wall Mounted Fiber Splitter Distribution Box

It is ideal to be placed in corridor and other places needing FTTH,FTTB network connection. The 24 ports optical fiber cable distribution box is capable of housing

## How to Use a Fiber Optic Distribution Box?

A fiber optic distribution box (FDB) is an essential device in fiber optic communication networks. It provides a secure, centralized management point for optical cables entering buildings or



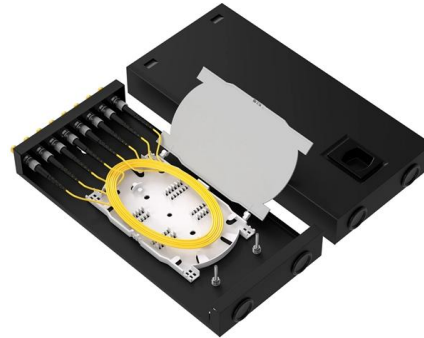
## Fiber Optic Cable, Clamps, Boxes, for FTTH

JERA LINE-China Factory produce high-quality fiber optic cables, fiber cable clamps, and fiber optic boxes for outdoor & Indoor FTTH. ISO 9001 certified.

## 6 Core Fiber Distribution Box Fiber Optic Terminal Box FTTH CTO Joint Box



This terminal box terminates up to 12-24 fiber optic cables, offers spaces for splitters and up to 12-24 fusions, allocates 6 x SC Duplex adapters or 6 x LC Quad adapters and working under both indoor



### **Best Outdoor Water-proof FTTH Distribution Fiber Optic Termination Box**

Explore the details, specifications and video of our Outdoor Water-proof FTTH Distribution Terminal Box, and order high-quality Outdoor Water-proof FTTH Distribution Terminal Box from our factory directly



### **Ultra Fiber Optic Distribution Box, 12 Core FTTH Terminal Enclosure**

[Versatile Fiber Optic Management] This 12-core ftth fiber optic terminal box is designed for seamless integration of incoming and drop cables. it provides efficient splicing winding storage and distribution



### **16 Core Outdoor FTTH Fiber Distribution Box IP65 Waterproof Fiber**

0 Use FTTH FTTX FTTB Network Wireless Lan, Wired LAN, Wi-Fi, Gsm, 3 G Model Number SL-116b Brand Name SL/OEM/ODM Place of Origin Shandong, China Warranty Time 1 YEARS Port 8/16/24





## How to Choose the Right Fiber Distribution Box for

Explore key factors in selecting a fiber distribution box (FDB) including capacity, materials, IP ratings, and deployment scenarios. Ideal for FTTH, PON,



### 4 Must-Know Insights on fiber optic distribution box

What is the purpose of fiber optic distribution boxes? and how to choose a fiber optic distribution box? This article aims to explore each of these

## How to Use Fiber Distribution Box: A Comprehensive

By following these guidelines, you'll be able to successfully install, maintain, and troubleshoot fiber distribution boxes across a wide range of



### 2 Port Wall Mount Fiber Termination Box For 1x2 Mini

Description The 2 port fiber termination box is a wall mount NID designed to realize the connection between optical cable and pigtail or mini splitter FTTH, FTTB



### **HJ Outdoor Fiber Optic Terminal Box Metal Wall Mount Waterproof**

Q: What is this product used for?A: This optical cross-connect box is designed for fiber optic network distribution, cross-connection, and terminal management in outdoor and indoor applications.



### **Integrated wiring fiber optic distribution box installation tutorial**

In general, installing the optical fiber distribution box can be divided into three steps: installing the optical fiber distribution box on the rack, introducing the optical cable into the optical

### **Fiber to the x**

Fiber to the x (FTTX; also spelled "fibre") or fiber in the loop is a generic term for any broadband network architecture using optical fiber to provide all or part of the



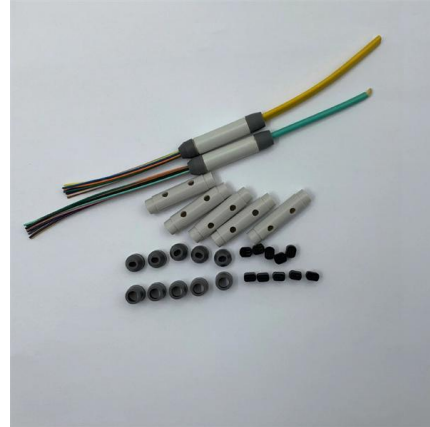
### **Fiber Optic Distribution Box: Key to Network Stability**

In FTTH networks, the FDB connects feeder cables to multiple drop cables that extend to Terminal Boxes (FOTBs) at the user interface. It protects splices and



## HJ FTTH Fiber Distribution Box 24 Core IP65 Wall Mount Optical

HJ FTTH Fiber Distribution Box 24 Core IP65 Wall Mount Optical Terminal with SC LC Adapter for Outdoor Use No reviews yet Hai'an Huijue Network Communication Equipment Co., Ltd. 1 yr



## Fiber To The Home Network Design

This drawing shows the location of the hardware used in creating a typical PON network. This drawing also defines the network jargon for cables: a "feeder" cable

## 101 Guidelines for Fiber Termination Box

How to Use the FTB? A Step-by-Step Tutorial. The simplest way with pre-terminated cables: For installation, you'll only need the FTB, pre-terminated



## Fiber Termination Box 2025 Guide for IP65 and IP68

Compare fiber termination box types for IP65 and IP68 ratings in 2025. Find the best options for indoor, outdoor, and harsh environments with updated



## optical fiber distribution box FTTH Outdoor use 16F Access terminal box

Protection Level: IP68-IP67 FTTH Outdoor Distribution Box Features Products Pictures our company Shenzhen industry co.,ltd focuses on optical communication products with



### More durable and robust

The outer layer is made of environmentally friendly PVC, which is soft and elastic. It can be stretched without damage, so you can use it with confidence.



### 8 Port FTTH Fiber Distribution Box with 24 Cable

The 8 Port FTTH Fiber Distribution Box with 24 cable outlets can house 4 sc duplex adapters and one 1x8 blockless splitter and supports 24 cores splicing.

## Contact Us

---

For datasheets, pricing, or custom high-speed optical interconnect solutions, please visit:

<https://www.syropy.com.pl>