

How to restore an optical time domain reflectometer to factory settings





How to restore an optical time domain reflectometer to factory settings



Optical Time-Domain Reflectometer Tutorial

Optical Time-Domain Reflectometer (OTDR) is an optoelectronic instrument used to characterize an optical fiber. It can be considered as the

AQ1210 Optical Time Domain Reflectometer

AQ1210 enhances productivity and operability with its lightning startup time, multi-tasking operation, and immediate reporting via wireless connectivity.



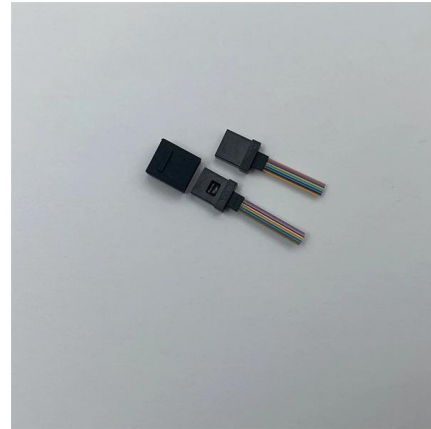
How to Set Up and Calibrate an OTDR

Learn how to correctly set up and calibrate an Optical Time Domain Reflectometer (OTDR) for optimal performance. CMW provides expert insights and tips for the best results.



Optical Time Domain Reflectometer USER'S GUIDE

Measure settings menu is used to set relative measurement data, which the judgment of events list is based on. Wrong setting might leads to wrong or missing events.



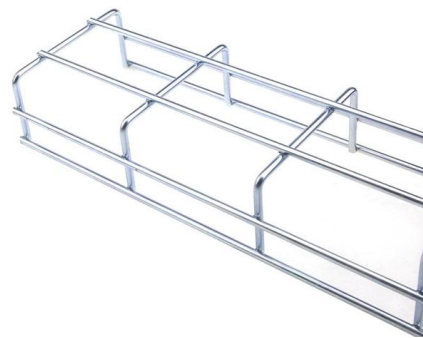
Optical Time Domain Reflectometer User Guide

This manual provides basic instructions for the use of EXFO OTDR series Optical Time Domain Reflectometers, including the setup of the device, measurement of optical cables, analysis of



Understanding OTDR: A Comprehensive Guide to

For effective operation and upkeep of a network, the world of fiber optics demands attention to detail and dependability. One of the most important



What Is an Optical Time Domain Reflectometer (OTDR)

What Is an Optical Time Domain Reflectometer (OTDR) and How Does It Work? I meet two kinds of teams. The first group only trusts a light source





TEMPO COMMUNICATIONS OFL100 Optical Time Domain

Discover how to effectively utilize the OFL100 Optical Time Domain Reflectometer with detailed instructions on usage, safety precautions, troubleshooting tips, and the trace viewer feature.



Optical Time Domain Reflectometer

Thank you for purchasing LinkU OTDR (Optical Time Domain Reflectometer). This manual contains useful information about this instrument's function, setting, operating procedures

OFT-3 Optical Time Domain Reflectometer User's Guide

Optical time domain reflectometers are optical instruments that do emit laser radiation and though this level of radiation is not considered a danger, there are safety considerations and certain practices



Thank you for purchasing OTDR32F-T1 OTDR (Optical Time Domain

Thank you for purchasing our SPEEDWOLF OTDR (Optical Time Domain Reflectometer) SP-OTDR32F-T1 Series.This user's manual contains useful information about the instrument's



Calibration of optical time domain reflectometers

Results of the calibration of Optical Time Domain Reflectometers (OTDR) according to IEC-proposals will be presented. The linearisation of the power s



OTDR User Guide: Optical Time Domain Reflectometer

Learn to use an OTDR (Optical Time Domain Reflectometer) with this user guide. Covers fiber testing, analysis, and customization. Perfect for engineers.



LPT-OTDR70 Optical Time-Domain Reflectometer USER MANUAL

Since the optical fiber core is very small, any dust or particle adhering to the optical fiber connector and optical output port can cover part of the optical fiber core at the output end, resulting in instrument



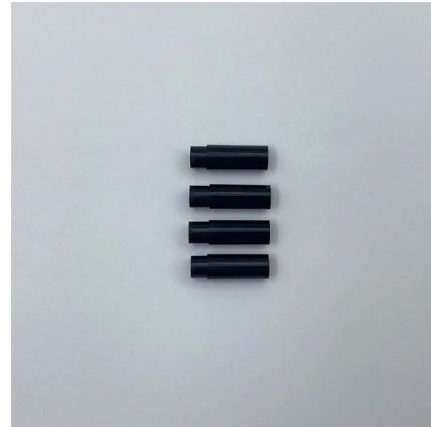
Optical Time-Domain Reflectometer (OTDR): Evolution and Applications

Optical Time-Domain Reflectometer (OTDR): Evolution and Applications In the realm of optical fiber testing, Optical Time-Domain Reflectometers (OTDRs) have revolutionized how we



User Guide OTDR

1 Introducing the OTDR The Optical Time Domain Reflectometer (OTDR) allows you to characterize a fiber-optic span, usually optical fiber sections joined by splices and connectors. Depending on the

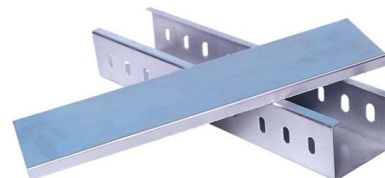


Thank you for purchasing OTDR32F-T1 OTDR (Optical Time Domain

OTDR---Optical Time Domain Reflector is a high precision optical testing meter that use the theory of Rayleigh scattering and Fresnel reflection. It is widely used in the maintenance,

Step-by-Step Guide to Using an OTDR for Fiber Optic Testing

In this video, we provide a step-by-step guide on how to operate an OTDR (Optical Time-Domain Reflectometer) for accurate fiber optic testing. From connecting the fiber to setting essential



How to Use Optical Time Domain Reflectometer?

Optical time domain reflectometer (OTDR) is widely used in the maintenance and construction of optical cable lines, and can measure the length



Optical Time Domain Reflectometer

Preface Thank you for purchasing LinkU OTDR (Optical Time Domain Reflectometer). This manual contains useful information about this instrument's function, setting, operating procedures and



190X95X25mm



What is an Optical Time Domain Reflectometer and How

Through the analysis of the measurement curve, the optical time domain reflectometer is an instrument for understanding the uniformity, defect,

AQ1000 OTDR User s Manual

Thank you for purchasing the AQ1000 OTDR (Optical Time Domain Reflectometer). This user's manual explains the features, operating procedures, and handling precautions of the AQ1000.



Optical Time-Domain Reflectometer (OTDR)

Learn about the Optical Time-Domain Reflectometer (OTDR) and how it is used to analyze and troubleshoot fiber optic networks. Discover the benefits and applications of OTDR technology in the



DINTEK OTDR Guide

An Optical Time Domain Reflectometer (OTDR) is used in fiber optics to measure the time and intensity of the light reflected on an optical fiber. It is used as a troubleshooting device to find faults, splices,

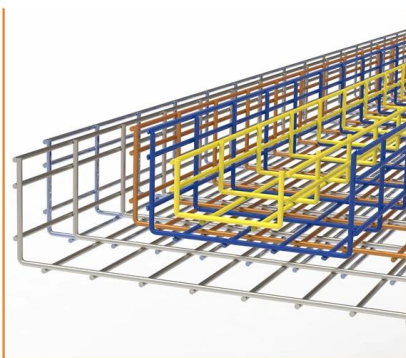


TEMPO COMMUNICATIONS OFL100 OTDR Optical Time-Domain Reflectometer

Description The Tempo Communications OFL100 is an Optical Time Domain Reflectometer (OTDR) that is used to measure the length and individual loss events on a singlemode fiber optic link.

Optical Time Domain Reflectometer

Setting the IOR, RBS Coefficient, and Helix Factor hem to all newly acquired traces. However, you can also set them at a later time but in that case, you have to reanalyze the trace if you change the



How to Use an OTDR Optical Time Domain

Fiber optic testing is one of the crucial stages in evaluating optical networks. This is made more accessible because there is such equipment as an



Contact Us

For datasheets, pricing, or custom high-speed optical interconnect solutions, please visit:

<https://www.syropy.com.pl>