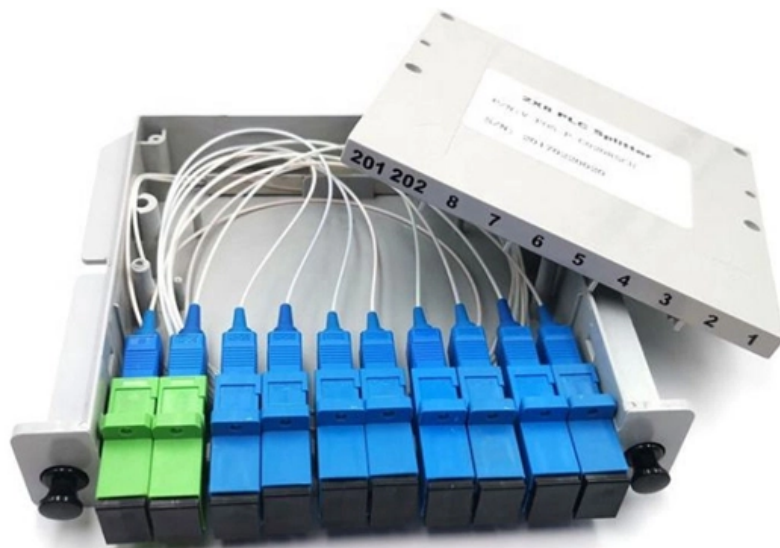


How to replace the LED in a laser module





How to replace the LED in a laser module



Replacing damaged LD with NUBM08 laser diode , TECH R& D

In this video i showed instead of buying a ned module for damaged laser we can simply change the laser and here i used NUBM08 laser diode which 4.75w optical power and pulsed power is

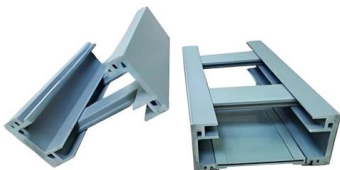
Laser Diode: The Ultimate Beginner's Guide

This is the ultimate beginner's guide to the laser diode. Learn how lasers work and how you can use them in your own projects with this guide.



How to Use Laser Diode Module: Examples, Pinouts,

Learn how to use the Laser Diode Module with detailed documentation, including pinouts, usage guides, and example projects. Perfect for students, hobbyists, and



?Video?How to Replace the Vision 20W Laser Module

WeCreat , Support WeCreat Vision/Vision Pro Troubleshooting ?Video?How to Replace the Vision 20W Laser Module How to replace the Vision 20W laser module WeCreat Watch on Share: Was this



Do You Know How To Replace The LED Display Module?

Introduction Due to long-term use or external factors, some LED display modules may be damaged, aged or have performance degradation. At



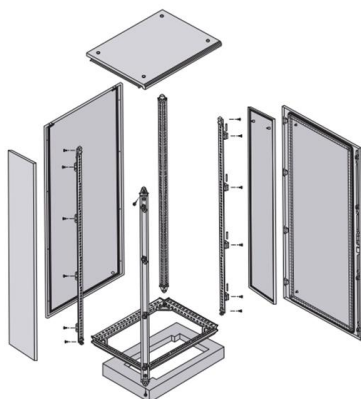
How to Use laser module: Examples, Pinouts, and Specs

Learn how to use the laser module with detailed documentation, including pinouts, usage guides, and example projects. Perfect for students, hobbyists, and



How Do You Replace a Module in an LED Wall?

In this video we want to show you how to replace a module in an LED Wall without damaging the wall and give you some tips for when you need to replace a modu



Replace Status Indicator for Laser Module



of 10W/40W

This article uses the 10W laser module as an example to show how to replace the status indicator light on the laser module.



Laser diode replacement

You can buy a genuine Nichia for around US\$100-150, in a module, from a US supplier, with a surface-mount driver, with built in protection. There's

Replace the Laser Module of xTool S1

Get expert support for your xTool products. Access tutorials, troubleshooting guides, and customer service for all xTool laser engravers and cutting machines.



Interfacing laser diode module with Arduino

Learn how to connect and control a laser diode module using Arduino in a few simple steps.



Laser Diode Module Tutorial : 4 Steps

Laser Diode Module Tutorial: Description: This 100mW laser module emits a small intense focused beam of visible red light. The module can be used with an

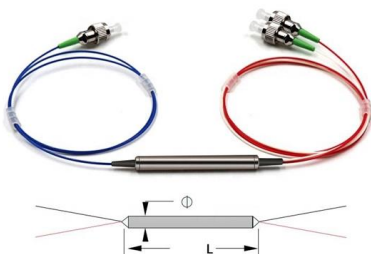


How To Replace The Laser Diode in the Laser Housing

How To Replace The Laser Diode in the Laser Housing TingaWinga5 33.6K subscribers
Subscribe

Hands-On Tutorial for Laser Diode Integration with Arduino

Step-by-step guide to wiring, coding, and safely integrating a laser diode with Arduino. Includes safety tips, troubleshooting, and beginner-friendly advice.



How to Replace LED Modules?

When using JYLED's LED display screens, if certain areas of the screen suddenly fail to display or show only a single color, it is necessary to



directory-list-2.4.txt/directory-list-2.4.txt at main

Customer stories Events & webinars Ebooks & reports Business insights GitHub Skills



Replace laser module of Ortur Laser Master 2

Hello! I have the Ortur Laser Master 2 15W (400x430) and I am interested in changing the laser module to cut. The results when recording are good, but I would like to improve in the cut. I



How to replace a faulty laser driver module

By understanding the function of the module, diagnosing issues accurately, and following a systematic replacement procedure, you can restore optimal performance to your laser system.



Interfacing laser diode module with Arduino

Learn how to connect and control a laser diode module using Arduino in a few simple steps. Find this and other hardware projects on Hackster.io.



Replacing a laser diode. A detailed



guidance. Setting up

Unscrew 4 screws on the laser housing and take out the radiator with the laser diode. The radiator consists of two parts connected by screws. We



LED Module Replacement and Repair Procedures , LIGHTALL

Troubleshooting LED Module Issues If you are experiencing issues with your LED modules, such as flickering, dimming, or total failure, there are several troubleshooting steps you can

Replacing damaged LD with NUBM08 laser diode , TECH R& D

In this video i showed instead of buying a ned module for damaged laser we can simply change the laser and here i used NUBM08 laser diode which 4.75w optical power and pulsed power is around 7w



Everything You Need To Know About Laser modules

Laser modules are compact, integrated devices that generate coherent, focused light beams through stimulated emission. Widely used across

How to Install and Remove the LED module



In this video we demonstrate the steps required to replace the LED Modules.

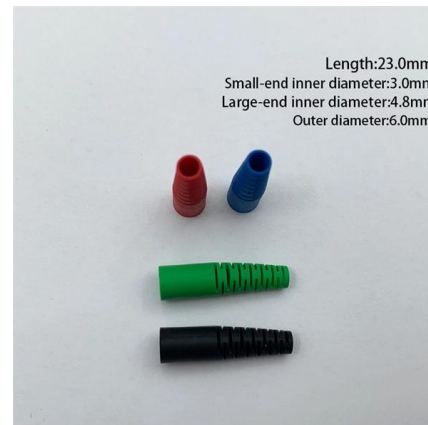


Laser diode replacement

Has anyone here replaced their diodes on their lasers? Most replacement diodes I see look like the have a cap on them. The diode in my laser

How to replace the Vision 20W laser module

Enjoy the videos and music you love, upload original content, and share it all with friends, family, and the world on .



Contact Us

For datasheets, pricing, or custom high-speed optical interconnect solutions, please visit:

<https://www.syropy.com.pl>