

# **How to properly install photovoltaic cable trays**





## How to properly install photovoltaic cable trays

---

### Steel cable tray

Steel Cable tray wire mesh is a type of support system used for managing and organizing electrical cables and wires. It provides a safe and efficient way to route



### 690.31 (C) (2) Cable Tray.

2014 Code Language: 690.31 (C) (2) Cable Tray. PV source circuits and PV output circuits using single-conductor cable listed and labeled as photovoltaic (PV) wire



### Code Corner: 2023 NEC Article 690.31 (C) and (C) (2)

In this installment of our Code Corner series, Ryan Mayfield focuses on the 2023 National Electrical Code (NEC) changes concerning cable trays,

### Maximize Efficiency with the Right Cable Tray System

Choosing the right cable tray system is critical for maximizing efficiency in industrial and photovoltaic cable management. This practical guide explores how to select,



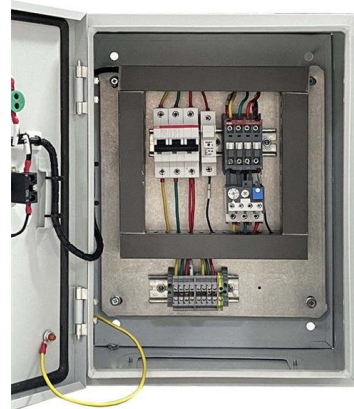
### Best Practices for Installing Cables in Trays

Quick Installation Checklist (Key Steps) Cable tray cable installation generally follows these steps: Inspect cables before



### Solar Cable Tray

Solar Cable Tray from MP Husky is designed to meet the unique requirements of the solar industry. Providing cable protection, cable support, and wire management,



### Microsoft Word

See Cable Specifications section, NEC, and confirm with electrical engineer If you have more conductors than the fill rating allows, add an additional RayTray alongside.





### Solar Photovoltaic Cable Management: Best Practices for DC-String Cables

Solar Photovoltaic (PV) Cable Management: Best Practices to Support DC-String Cables  
Implications for new construction specifications and O& M Purpose Use of standard grades of plastic wire ties is by

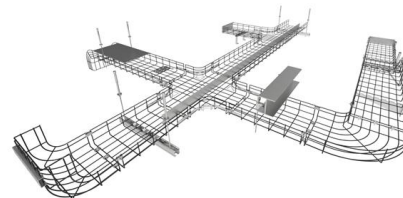


### photovoltaic plants Cable mana

Sometimes, when they open, cables can be broken. If the cables broken, it must to be welded, losing power or data capabilities. All these problems, make larger the delivery time of the work The

### Roof Solar Cable Tray Manufacturers - SENYENERGY

Solar Cable Tray is a specialized support system designed to safely route, organize, and protect electrical cables (DC strings, AC output, communications) on rooftops



### Essential Guide: Installing Photovoltaic Cables Safely

During the construction of rooftop photovoltaic systems, power transmission often faces wiring difficulties. Compared with using fixed-length finished photovoltaic cables, cutting wires



### Support of Exposed Cable for PV Systems:

It is clear that our cable materials are capable of lasting provided we use good installation practices. Hopefully, the NEC will evolve in this area by



### Cable Tray Installation

Learn everything about cable tray installation with our complete guide. Discover types, steps, and safety tips for efficient electrical cable management.

### Suggestions for cable trays instead of conduits for roof mounted pv

Suggestions for cable trays instead of conduits for roof mounted pv arrays to house either dc or ac circuits on the roof, exposed to sunlight. Does anyone have any products they like?



### Solar Photovoltaic Cable Management: Best Practices for DC-String

This content provides best practices related to cable management around supporting and securing DC-string cabling and focuses on related wire tie technologies.

### Solar Wire Management: Complete Guide



## To PV Cable

Solar wire management is the systematic practice of properly routing, organizing, supporting, and protecting electrical wiring in photovoltaic (PV)



## Cable Tray Management for Commercial Solar , Greenwood

Cable tray management is an integral part of any commercial solar project and making the right selection is crucial to keeping the system safe, minimizing costs and install time and maintaining

## Installation of cable trays

Start by installing a vertical cable tray on the far left side of your planned installation. The vertical trough must:

- Be on the opposite side of the first eTile module installed.
- Be mounted over the entire length



## Master Cable Tray Installation: A Professional Step-by

Learn how to install cable trays for large-scale projects with our professional, step-by-step guide covering industry standards, safety protocols,



### photovoltaic plants Cable mana

The cable is dropped on the tray without any obstacle Possibility of separating data and power cables Possibility to install cover for UV protection of cables Different cable tray section 2x2, 2x4, 2x6, 4x4,

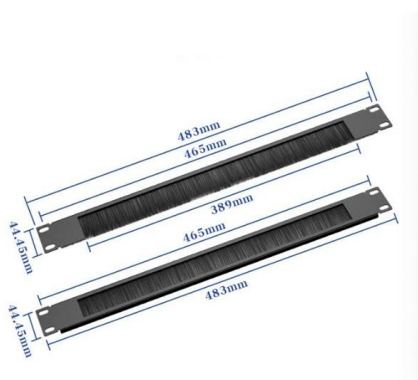


### Download Cable Tray Installation Checklist (PDF)

This comprehensive checklist covers essential steps and considerations to ensure accurate and efficient cable tray installation. By following this checklist, you can minimize errors, enhance safety, and

### How to Choose Solar Cable Tray for Photovoltaic Energy

In this guide, I explain the real challenges found in solar projects and show you how to select the correct tray based on



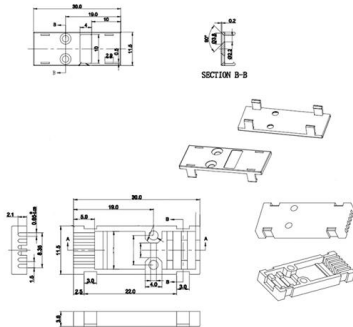
### Aluminum Cable Trays for Solar Projects , Solar Cable Tray

Elcon Global offers various options, including ladder trays, perforated trays, and customized solutions for different solar projects. 5. Are aluminium cable trays easy to install? Yes, aluminium cable trays are



## Cable Trays for Solar Panels , Leading Solar Mounting

Hutaib Electricals explains the importance of cable trays in solar panel installations. Our long-lasting and efficient cable trays provide maximum



## How to Install Cable Tray: A Comprehensive Guide to Different Cable

Welcome to our step-by-step guide on installing cable trays! In this video, we'll explore the different types of cable trays available and provide detailed instructions for their installation.

## Cable Tray Management for PV projects

Cable tray management comprises the number of cables and cable trays and how to effectively manage and distribute these materials in a solar project. It is crucial to map out the number of cables and



## Solar Cable Management: The Ultimate Guide

This article explains how the free-air solar cable conveyance system by Snake Tray, the Solar Snake Max (TM), helps utility-grade solar plants squeeze the most



## Safe and NEC Compliant Use of PV Racking as Cable Tray

For installers, there are a few items to consider for proper installation with respect to the certification: clip installation for conductor containment; conductor routing; protection from cut rails; and the cable tray



## What Should You Consider When Selecting a Cable Tray for Solar

In a solar power system, cable management is more than just organization--it's about safety, durability, and performance. Whether you're designing a rooftop solar PV system or a large-scale ground

## Contact Us

---

For datasheets, pricing, or custom high-speed optical interconnect solutions, please visit:  
<https://www.syropy.com.pl>