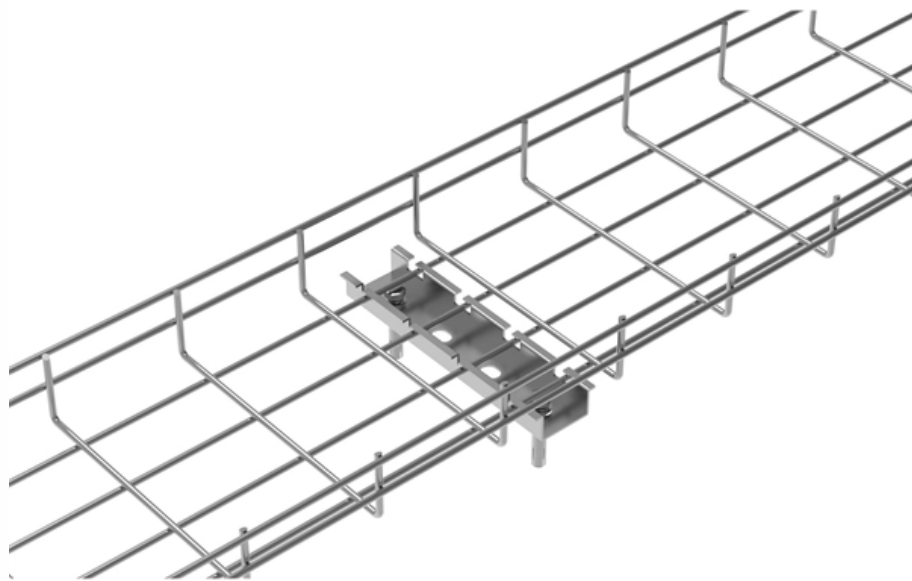


How to program an optical module





How to program an optical module



Optical Programmer - programming solutions for

Our CFP Programmer board is ideal for programming all types of CFP, CFP2 and CFP4 optical transceivers. All types can be fully powered-up. Comprehensive

Understanding DSP in Coherent Optical Modules

This passage delves into the crucial role of Digital Signal Processors (DSP) in coherent optical modules. Explore how DSP improves signal integrity,



Optical module design resources , TI

View the TI Optical module block diagram, product recommendations, reference designs and start designing.

How To Interface the OV7670 Camera Module With

Let's get started! The OV7670 Camera Module This module allows you to capture images in VGA format (640x480). It can perform some initial



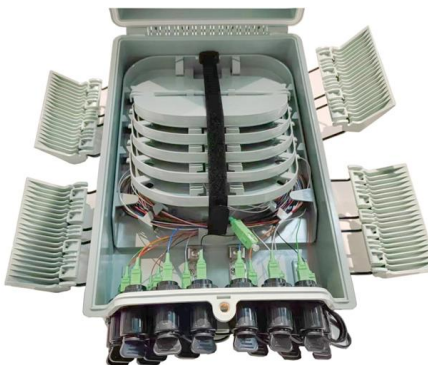
Universal Programmer , Optical Programmer

Universal Programmer Our Universal Programmer board is ideal for programming all of the following types of optical transceivers: SFP, SFP+, SFP28, SFP56, zSFP+,



The Most Comprehensive Guide Of Optical Modules

Explore the ultimate guide to optical modules. Learn types, functions, performance metrics & how to choose the right module for your fiber network.



OptiSystem_tutorial1.fm

In time domain, OptiSystem translates the optical signal and the power spectral density of the noise to numerical noise in time domain. Use the tabs at the bottom of the graph to select the representation

What Is An Optical Module?



An optical module converts electrical signals to light for fast, reliable data transfer in networks, essential for cloud computing, telecom, and data centers.



Optical Module Coding Explained

In an environment where speed and reliability are a must, optical modules are important, but the real power rests on one key factor that is often

Fundamentals of an Optical Module

Fundamentals of an Optical Module As an important part of fiber-optic communication, an optical module is a photoelectric converter which converts electrical signals into optical signals and vice versa. An



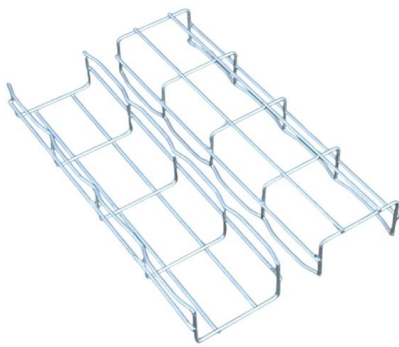
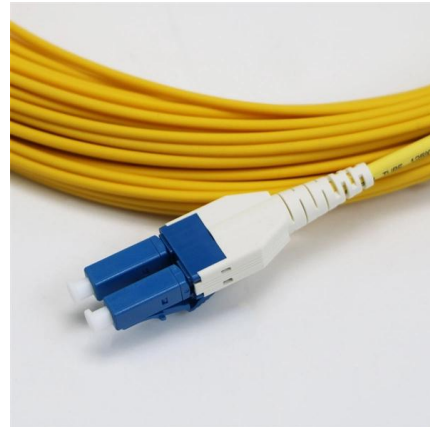
optical-communications · GitHub Topics · GitHub

Numerical simulation platform to evaluate the performances of a 480 Gb/s optical coherent communication system using different advanced technologies deployed in optical networks, including



Arduino Optical Fiber Transmission Setup

Optical Fiber Transmission Setup - Transmitter Selection I'm going to use HFBR 1414 fiber optic transmitter module which is manufactured by

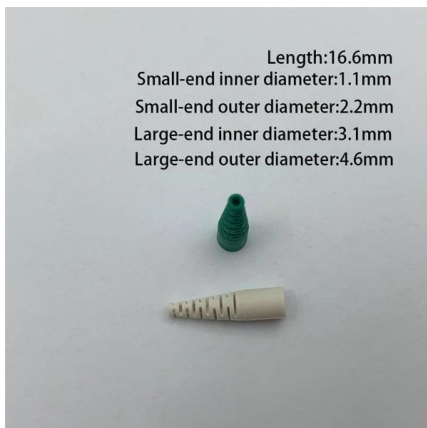


Understanding Optical Modules: A Comprehensive Guide

Optical Module Basics: Understanding the Core Concepts Optical modules are compact devices that convert electrical signals into optical signals

Wave Optics Software for Analyzing Micro

Simulate and optimize optical devices by combining the COMSOL Multiphysics® software and the add-on Wave Optics Module. Learn more here.



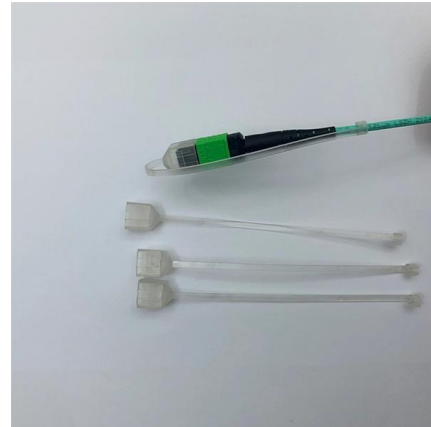
Understanding Optical Modules: Working Principles,

Explore the working principles, structures, and performance metrics of optical modules, essential components of optical fiber communication systems. Learn



What Is an Optical Module and Its FAQs (V300)

As an important part of fiber-optic communication, an optical module is a photoelectric converter which converts electrical signals into optical signals and vice versa. An optical module

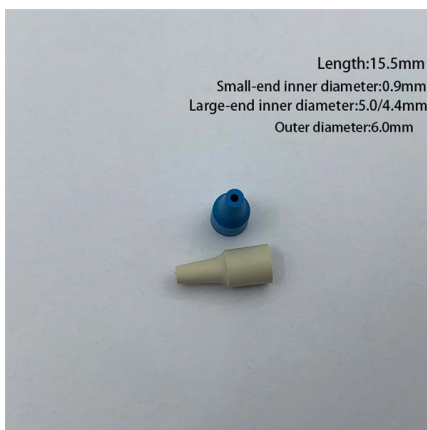


Optical module - A comprehensive exploration

The optical module is one of the core devices of the optical communication system, and its development has a vital impact on its related

How to Recode Transceivers with EDGE Programming

Complete guide to recode SFP, XFP, QSFP transceivers using EDGE Universal programming board. Works with Cisco, Huawei, HPE



How to Use the Optical Transceiver Module Correctly

This video shows you how to properly use the optical transceiver module on the switch, including how to insert the module into the equipment and how to pull the



Optical Module Coding Explained

Optical Module Coding is the digital key ensuring network device compatibility and stability by verifying module specs, aiding intelligent



How to Install and Remove Optical Modules Safely

Install optical modules safely with ESD protection, proper handling, and dust control. Follow these steps to avoid damage and ensure network reliability.



How to build an optical/light barrier with the Arduino, the Keyes laser

In this tutorial, it shown how to build an optical barrier. The barrier detects any movement between the sender and the receiver. The sender is a laser module (Keyes KY-008) that emits red light (wavelength: 650nm). The laser detector/receiver is an unnamed module that returns either a LOW signal or a



Optical module design resources , TI

Design requirements Modern optical module designs often require: Reduced power consumption to control and limit module temperature rise. Dynamic and precise control of laser diodes to regulate



SFP QSFP XFP OSFP Transceivers Programming Tools

Programming optical transceivers requires Transceiver Adapter and REVELPROG-IS programmer. Transceiver Adapter is a hardware board for transceivers in form factor of SFP / QSFP / OSFP / XFP



1075KW HH ESS



A Comprehensive Guide to Optical Module PCB

Optical module PCBs are essential for improving communication and data transmission speeds in many different industries, including telecommunications,

About our programming boards

All suppliers of fibre-optic modules need to program the on-board EEPROM. In the past this was always done at the factory and we supply boards into many manufacturers who use our boards in their



Fundamentals of an Optical Module

As an important part of fiber-optic communication, an optical module is a photoelectric converter which converts electrical signals into optical signals and vice versa. An optical module works at the physical

Optical Module: A Comprehensive Analysis from Source

Optical modules are key transmission components in communication networks, and their applications, technologies, types, and terminology are



Contact Us

For datasheets, pricing, or custom high-speed optical interconnect solutions, please visit:

<https://www.syropy.com.pl>