

How to open the curved door of a network cabinet



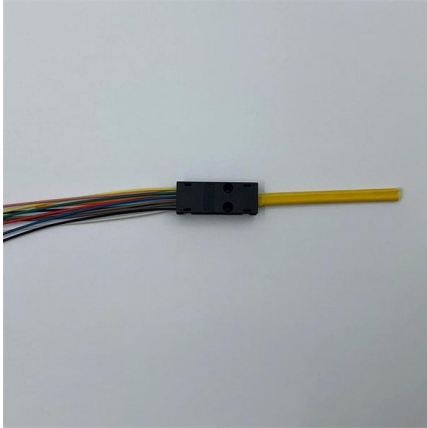


Overview

By pressing these pins downwards (for the upper pin) and upwards (for the lower pin), the door is released from the rack. Removing a door Hold the door in place, and lift both hinge pins until they lock in the open position so that the door is disengaged. Additionally, Adobe Acrobat features a search tool for searching by keyword or part number. be liable for any damages, whether direct or indirect, special, punitive, incidental or consequential damages (including, but not limited to, lost profits or revenue, loss of use, lost business opportunities or loss of goodwill) or for the.



How to open the curved door of a network cabinet



Solved: Removing doors from Netshelter racks

Once ganged the angle required to remove the door changes quite a bit. It's much shallower. To remove the doors once the enclosures are bayed please follow these directions: 1)

Server Cabinets

Product Number: Cabinet Series Curved Perf
Door Options XH Cabinet Series Curved
Perforated Door Options



Build Cabinets the Easy Way ,, Easy Curved Cabinet Doors

Learn how to Build Cabinets the Easy Way. With these Easy Curved Cabinet Doors and Get 70% off of your next Huusk knife purchase before the offer runs out!

VERTIV SMARTCABINET USER MANUAL Pdf

If the high temperature fault has not been rectified for quite a long time, the technicians need to open the front and rear door of the cabinet; subsequently,



Instruction Manual 6U 19" Wall Mounted Equipment Rack/Cabinet

To attach the RK619WALL to a wall, ensure the mounting point holes on the rear of the cabinet, line up properly with the screws/anchors installed into the wall.



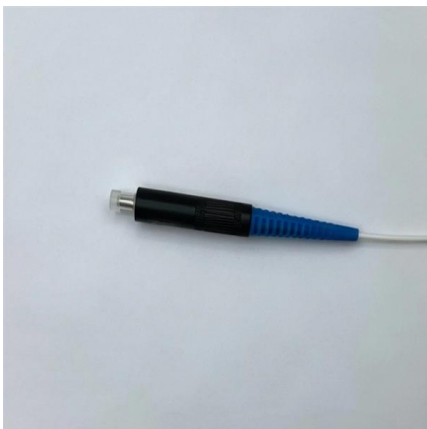
[unsupervised_topic_modeling/topics/en/17/100/50/topics](#) at

Contribute to [annontopicmodel/unsupervised_topic_modeling](#) development by creating an account on GitHub.



NAVEPOINT 6U INSTRUCTIONS Pdf Download , ManualsLib

View and Download NavePoint 6U instructions online. Deluxe IT Wallmount Cabinet Enclosure 19-Inch Server Network Rack With Locking Glass Door Pro Series. 6U enclosure pdf manual download. Also





How do I feed an ethernet cable through a doorway

Since we don't own the place, I want to feed this cable into the other room without causing permanent damage to the wall or door - if I need to keep my door open a



How to Make Curved Cabinet Doors

Some juicy behind-the-scenes footage of how we shaped up a 2.4m curved door in the YEO workshop. This is part of an impressive utility room we're making for a mega project that we can't wait to

[zxcvbn-rs/src/frequency_lists.rs](#) at master

Port of Dropbox's zxcvbn password strength library for Rust - shssochiro/zxcvbn-rs

Pre-Terminated Patch Panel

- Standard 19" width
- Max 144 fibers in 1U
- MPO/Fusion Dual-Purpose



Removable Cable Management Tray



Transparent Front Cover



High-Quality Matte Coated Steel

Complete Assembly Procedure for 9U Wall Mounted Network Cabinet (Single

How to assemble a wall-mounted network cabinet? 1, Insert top and bottom panel into the side frames. And fixed the frame on the front door position with 4 M5*8 self-tapping screws. 2, Use 16 M8*12





NET-ACCESS N-Type Network Cabinets

1000mm Wide Split Doors - N2SD1000, N5SD1000, N8SD1000, N1SD1000 -Align Locating Pins of each Hinge Bracket with matching hole pattern of cabinet frame -Secure Hinge Brackets to



Remove and install a door , ThinkSystem Heavy Duty Rack Cabinets

Hold the door in place, and lift both hinge pins until they lock in the open position so that the door is disengaged. Remove the door from the rack cabinet frame.

[liblouis-liblouisxml] Re: List of UEB words

[liblouis-liblouisxml] Re: List of UEB words From: Ken Perry To: "liblouis-liblouisxml@xxxxxxxxxxxxx" Date: Wed, 27 Aug 2014



Adjusting the rotation direction of the door of your server

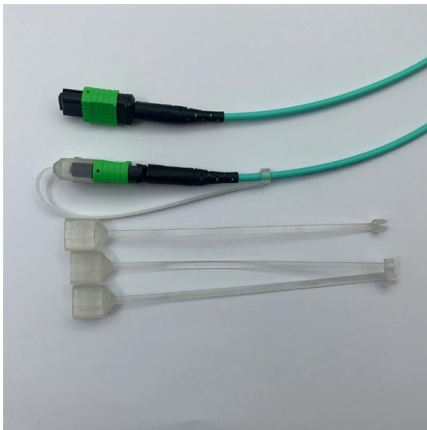
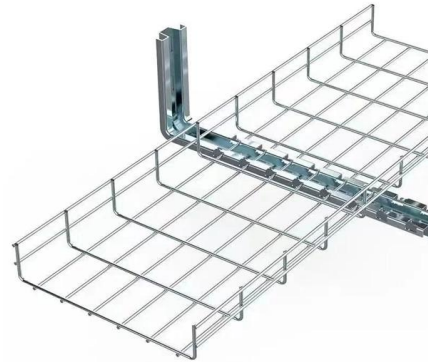
Do you want to change the direction of rotation of the door of your server cabinet? In this blog you will find the simple steps to do this.





How to Make a Curved Cabinet Door , 7 Easy Steps

Plus, curved cabinet doors can help create the illusion of a larger space, making your room feel more open and welcoming. Whether you're



Arched Cabinet Door Build ,, Creating a Curved Cabinet

Subscribed 1K 34K views 1 year ago Bourbon Bite Short of: Curved Cabinet Doors Pt. 1 more

42U Cabinet Manual

1: Open the Front Door until it's perpendicular to the Front Frame of the cabinet. 2: Disconnect the door's ground wire. 3: Lift the door from the hinges and remove it from the Front Frame of the cabinet. 4:



How to Properly Install and Set Up a Network Cabinet

Installing and setting up a network cabinet system correctly is essential for maintaining an efficient and organized network infrastructure. In this





How To Open A Compaq Server Rack Cabinet

By following the step-by-step guide outlined in this article, you can successfully open the cabinet and gain access to the interior space for



How to Make a Curved Cabinet Door

Creating a curve in a piece can add a unique look to your next woodworking project. Brad Holden demonstrates how to use bendable plywood laminations and a form to create a curved front for his

How To Open A Compaq Server Rack Cabinet

Learn how to open a Compaq server rack cabinet with step-by-step instructions and expert tips. Safely access your equipment and optimize your



Cabinet Doors , Mesh & Glass Server Rack Doors

Discover mesh and glass cabinet doors at 4Cabling Australia. Enhance server rack cooling, security, and visibility. Various sizes from 4RU to 45RU available.



How to make Curved Cabinet Doors { com }

How to make Curved Cabinet Doors { com }
DSCDocumentaries 37.2K subscribers Subscribe

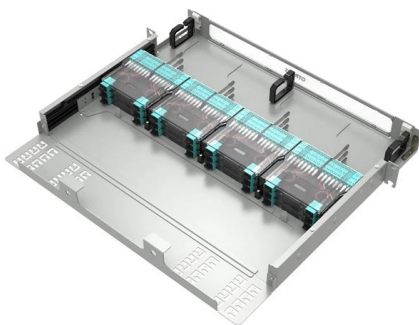


TeraFrame Family User Manuals

Open the door while holding it firmly with a hand on each side. With the door at the 90-degree position, pull the door off the hinges perpendicular to the cabinet.

A Beginners' Guide to Server Rack and Cabinet

Security: The network cabinet is usually made of metal, and the door often features a locking mechanism, helping to reduce incidents and protect data on the server.



Curved / Radius Cabinet Door in AutoCad

If you are a carpenter or an architectural designer looking to add a curved radius cabinet door to your projects in AutoCAD, then this tutorial is for you!



NET-ACCESS N-Type Network Cabinets

Rear Side Panel with Bumper Plate to be installed first. Remove top Cover Plates of Rear Side Panel by pulling plunger slightly to release Cover Plate. (Bumper Plate will be to center of cabinet.) Tilt the



Complete Assembly Procedure for 9U Wall Mounted Network Cabinet (Double

How to assemble a double section wall mounted network cabinet server rack? 1, Insert top and bottom panels into the side frames. And fixed the frame on the front door position with 4 M5*8 self

How to Fix a Slanting Network Cabinet Door

If you are having trouble with a front network cabinet door slanting downward or upward, you might have a hole alignment issue between the top



Contact Us

For datasheets, pricing, or custom high-speed optical interconnect solutions, please visit:
<https://www.syropy.com.pl>