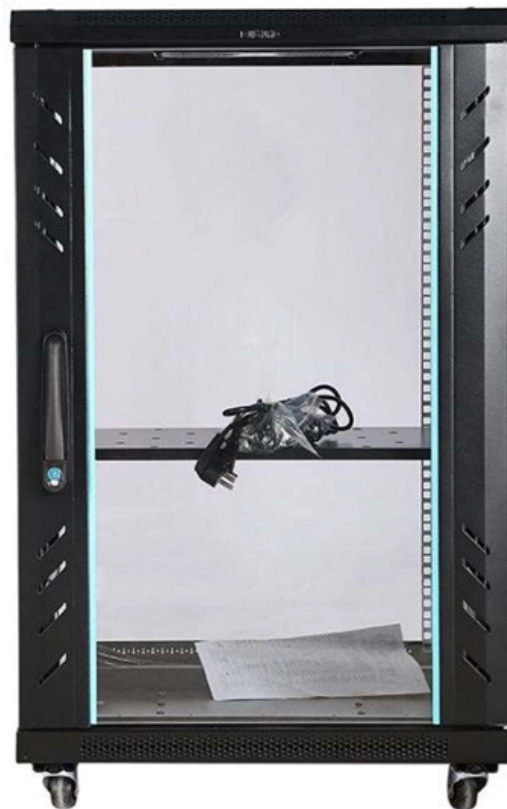


How to make bends in cable tray cover plates





How to make bends in cable tray cover plates



Assembly Guide

When a wire cable tray is cut, the fact that a wire has been cut does not affect the level of protection. Let alone we have rubber caps to protect the cut ends. The assembly guide below will help the cable tray

Exploring the Different Bending Types for Wire Mesh

Wire mesh cable trays offer flexibility in design, allowing for bends that help installers navigate complex layouts, avoid obstacles, and ensure proper

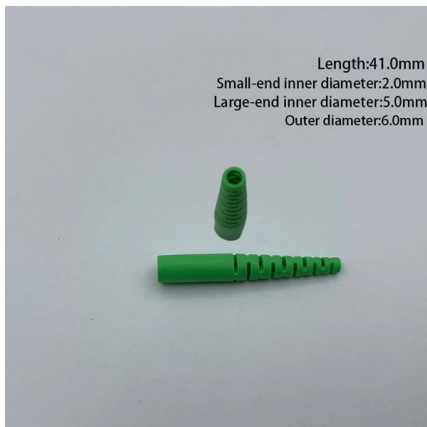


Formulas for flat 45 degree bend in cable tray

Would someone kindly let me know the formula to create a flat 45 in say 100 mm cable tray for example. So I can then use the formula on different cable tray sizes and to different angles.

Assembly Guide

Guide for making bends, tees, crosses, risers and reducers from straight sections of wire basket cable trays live at the project.



Make a (45-45) 90 Gusset Bend in Electrical Cable Tray

How to make a 90 electrical cable tray bend to measurement with a gusset of your choice using one piece of tray. Great if you are new or just forgot

How to Install Cable Tray: A Comprehensive Guide to Different Cable

Welcome to our step-by-step guide on installing cable trays! In this video, we'll explore the different types of cable trays available and provide detailed instructions for their installation.



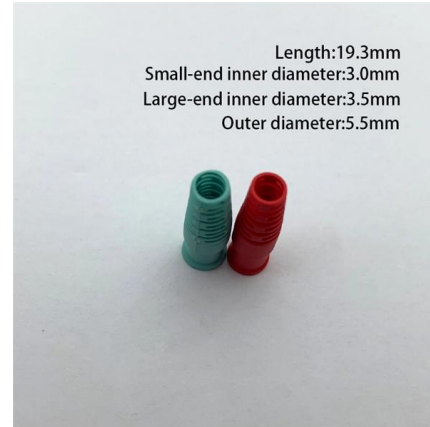
Cable Tray Technical Guide A practical guide to product selection and

SOLID-BOTTOM CABLE TRAY Providing additional cable protection, solid-bottom cable tray is sometimes preferred to support and protect numerous small instrumentation and control cables.



How To Bend Cable Tray

Discover the best techniques and tools to bend cable tray easily and efficiently. Learn step-by-step instructions and tips from industry experts.



Make a (45-45) 90 Gusset Bend in Electrical Cable Tray In One Piece

The Easy Guide to How to make a 90 electrical cable tray bend to measurement with a gusset of your choice using one piece of tray. Great if you are new or just forgot how to do it, this easy to

HOW TO MAKE LONG RADIUS 90 DEGREE OF A CABLE TRAY W/ 4 BENDS

How to bend 90 degree of cable tray accurate to joint and support with 22.5 degree offset o HOW TO BEND 90 DEGREE OF A CABLE TRAY AC



Best Practice Guide to Cable Ladder and Cable Tray Systems

This guide covers cable ladder systems, cable tray systems, channel support systems and associated supports intended for the support and accommodation of cables and possibly other electrical





How to fabrication 200 mm cable tray bend

Forming the Bend: Use a manual bender or press brake to bend each section slightly to form the required curve. Ensure uniform bending to maintain the tray's integrity and cable support.



HOW TO BEND 90 DEGREE OF CABLE TRAY SUPPORT TO SUPPORT BASIC TUTORIAL

In the electrical wiring of buildings, a cable tray system is used to support insulated electrical cables used for power distribution, control, and communication.

Easy step to make 45 degree offset cable tray/Pipe and Air duct

How to make 90°degree (45°x2) Cable trays/Trunking (100mm X 50mm) Practical tutorial 1 Cable Tray 30 Degree Offset Formula ! 400mm to 1000 mm Cable Tray 30 Degree Bend Offset Formula



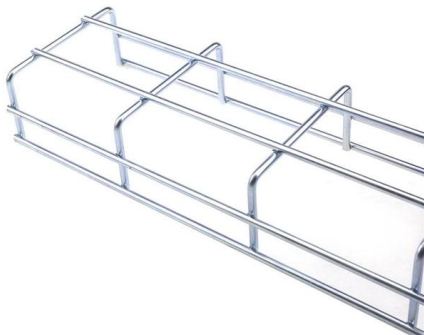
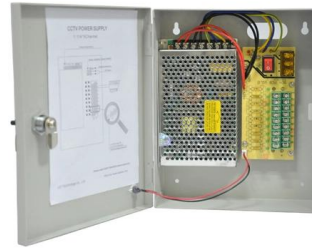
How to construct a flat 90° bend for Cable Trays

The gusset is produced by cutting a piece of tray to the required size, removing 1 lip completely and bolting it to the 90° bend (H). This completes the



How to Make a 90-Degree Bend in Cable Tray , TikTok

Learn how to easily create a 90-degree bend in cable tray with this step-by-step tutorial. Follow along to mark, cut, file, and bend the tray to perfection! #electriciansoftiktok #electrician



Cable Tray Bend , Information by Electrical Professionals for

There is no minimum radius bend for cabletray or low voltage conductors that I'm aware of in the NEC, unless the specific manufacturer establishes a minimum. NEC 392.18 (A) states that

How to Bend Cable Tray Students trading aid on how best to

This is a step by set guide on how to make (fabricate) a 90 degree bend in metal cable tray and use a cable tray bending machine to make the same bend. Videos are training aids for City and Guilds (C and G) and EAL courses



TIPS HOW TO BEND CABLE TRAY USING X.80 FORMULA ANY

How to bend a cable tray bridge type o HOW TO BEND A CABLE TRAY BRIDGE TYPE/TAGALOG How to bend 11.25 degree of cable tray using x0.80 formula o HOW TO BEND 11.25 DEGREE OF



Bending Cable Tray

You can buy a manufactured 90 degree bend or make one on a cable tray bending machine but in this video I show you how to make one using a metal bar.



Cable Tray / Ladder Tray INSTALLATION PowerTray

COVER INSTRUCTIONS:) Use to enclose cable tray and protect cable and wiring from damage or debris.) Provided with self-tapping tek screws to mount into siderails. eaked, diamond plate, and

Trunking Cutting Techniques Guide , PDF

The document provides instructions for forming various bends and joints in electrical trunking and cable trays. It describes: 1) How to mark and cut a right-angle



Search

Search Up to 36% lower carbon footprint than standard plastic cable ties Globally, only 9% of plastic waste is recycled, and by 2050, up to 12 billion tons could pollute our landfills, waterways, and



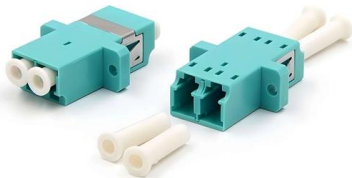
How to Easily Create a 90-Degree Bend in Cable Tray , TikTok

TikTok video from OM Electrical (@omelectrical_): "Learn the step-by-step process to make a quick and simple 90-degree bend in cable tray. Follow for more tutorials. #electrician #sparky #sparkylife #electriciansoftiktok"



Cable Tray Design and Standards Guide

1. The document outlines codes and standards that must be followed for design and construction of cable trays and their components. Standards listed include those



Master the Cable Tray Secret to Perfect Back of Bend

How to Master back of bend measurements on electrical Cable Tray. Make a 90 electrical cable tray bend to measurement with a gusset of your choice using one piece of tray.



Contact Us

For datasheets, pricing, or custom high-speed optical interconnect solutions, please visit:
<https://www.syropy.com.pl>