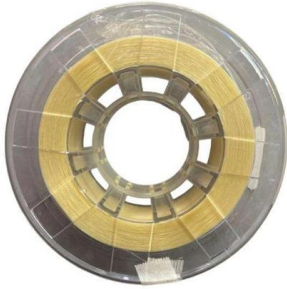


How to insert the double-tailed fiber optic cable





How to insert the double-tailed fiber optic cable



How to Install Fiber Optic Cables: A Step-by-Step Guide

Fiber optic cables offer superior performance compared to traditional copper cables, making them the preferred choice for modern communication networks. In this

Be Your Own Technician: DIY Fiber Optic Installation Guide

In the spirit of self-reliance and technical mastery, we've crafted this detailed guide to empower you to take control of your own network by installing fiber optic cables yourself.



Fiber Optic Cable Installation: How To Properly Install It

A comprehensive guide to fiber optic installation - everything you need to know about fiber optic cabling for your network installation.



How To: Install Fiber Optic Cable for Success - trueCABLE

In this comprehensive guide, we'll walk through the best practices for installing various types of fiber optic cable, from patch cords to distribution fiber,



Complete Guide to Fiber Optic Cable Installation

Installing a fiber optic cable may appear difficult, but it can be simple if you follow the right directions. So, to help you out, in this section, we will discuss



How to Properly Install Fiber Optic Cable: A Step-by

You can, however, successfully install fiber optic cable for your home or business with the right tools, equipment, and safety precautions. Here's a step



How to Install Fiber Optic Cable: Step-by-Step Guide

Learn how to install fiber optic cable with Network Drops' easy step-by-step guide. Follow the process for quick and effective results.





How To: Install Fiber Optic Cable for Success - trueCABLE

Learn the best practices for installing fiber optic cable, from patch cords to bulk distribution fiber.



How Do You Insert an Optical Cable: A Step-by-Step Guide

However, for those new to this technology, inserting an optical cable correctly can be a daunting task. In this step-by-step guide, we will walk you through the process, ensuring that you can

[liblouis-liblouisxml] Re: List of UEB words

[liblouis-liblouisxml] Re: List of UEB words From: Ken Perry To: "liblouis-liblouisxml@xxxxxxxxxxxxx" Date: Wed, 27 Aug 2014



Fiber Optic Pigtails: Choosing the Right LC, ST, or SC

Learn about the importance of fiber optic pigtails in network connections and discover the differences between LC, ST, and SC pigtails. Find



A Step-by-Step Guide to Fiber Optic Cable Installation

This beginner-friendly guide will walk you through the step-by-step process of fiber optic cable installation for each method,



Fiber Optic Cable Installation Do's and Don'ts

In this video, we'll cover the essential guidelines for installing fiber optic cables, helping you avoid costly mistakes and ensure a high-quality, reliable

How to Install Fiber Optical Digital Audio Cables

Optical digital audio cables are becoming popular alternatives to traditional audio cables. Whereas traditional audio cables use wire to transmit



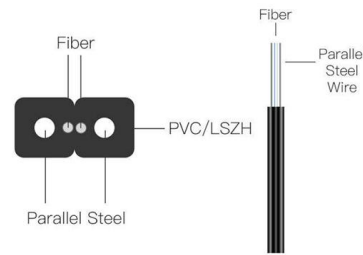
[pybitcoin/pybitcoin/passphrases/english_words.py at master · stacks-](#)

A Bitcoin python library for private + public keys, addresses, transactions, & RPC - stacks-archive/pybitcoin



Everything you need to know about fiber optic termination

Fiber Optic Termination Tutorial We terminate fiber optic cable two ways - with connectors that can mate two fibers to create a temporary joint and/or connect



101 Guidelines for Fiber Optic Cable Installation

A fiber optic cable should be tested three separate times during an installation: on the reel, the splicing test, and the final acceptance test. Extreme caution should

How To Connect Fiber Optic Cable?

Connecting fiber optic cables requires precision and care due to the delicate nature of the fibers. Here's a step-by-step guide on how to connect fiber optic cables using fiber optic connectors



What is Fiber Pigtail? A Complete Guide for Beginners

A fiber pigtail is a thin multimode or single-mode fiber optic cable with a connector installed on one end. The purpose of the fiber pigtail is to terminate



Crackhead/pass.txt at master · moimikey/Crackhead ·

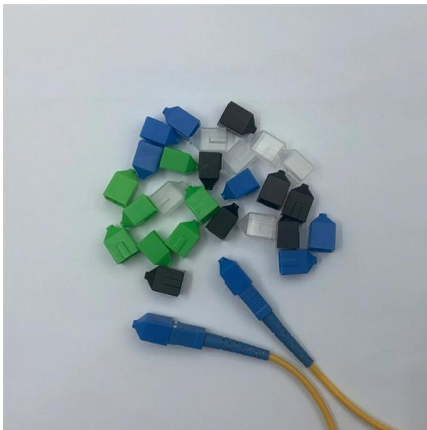
How to create a web form cracker in under 15 minutes. - moimikey/Crackhead

02

High Quality Material



High hardness to resist external impact, Good Shaping Performance, Good Look and Anti-rust

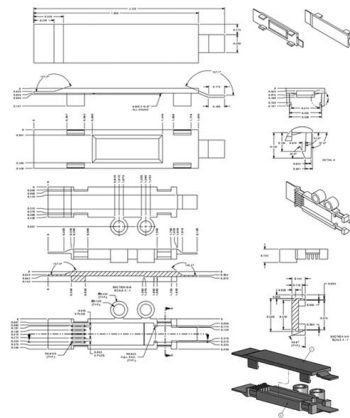


How Do You Insert an Optical Cable: A Step-by-Step Guide

Optical cables, also known as fiber optic cables, are becoming increasingly popular for their superior audio quality and data transmission capabilities. However, for those new to this

Fiber Optic Pigtail: What Is It and How to Classify It?

In fiber optic cable installation, how cables are attached to the system is vital to the success of network. If done properly, optical signals would pass



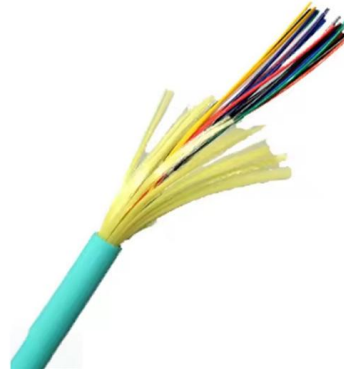
How to Install Fiber Optic Cable and Split it in Two (4 Steps)

More and more cable providers are beginning to offer fiber optic television service. Fiber optic cables provide faster connections than standard cable connections as the cables are made up of a roll of



Optical Fiber Cable Installation Guideline

In order to effectively pull cable without damaging the fiber, it is necessary to identify the strength material and fiber location within the cable. Then, use the method of attachment that pulls most



How To Install Fiber Optic Cable Connectors?

How To Connect Fiber Optic Cable To Connector? The connection methods for SC, FC, ST, and FT connectors with optical fibers are basically the

Understanding Fiber Optic Pigtails: Types and

Fiber Optic Pigtails, also known as pigtailed fibers, consist of an optical fiber connector and a section of optical cable. Characterized by having an



How To Install Fiber Optic Cable Connectors?

These differences result in slight variations in the steps for inserting the optical fiber into the connector. Here, we will use the LC connector as an example



What is a Fiber Optic Pigtail, and What Is It Used For?

A fiber optic pigtail is a type of fiber optic cable with only one end that has a factory-terminated connector and the other end exposed as bare fiber. A



2090-QR001D-EN-P, Fiber Optic Cable Installation Quick Guide

Introduction Fiber optic cables can be easily damaged if they are improperly handled or installed. It is imperative that certain procedures be followed in the handling of these cables to avoid damage

Contact Us

For datasheets, pricing, or custom high-speed optical interconnect solutions, please visit:
<https://www.syropy.com.pl>