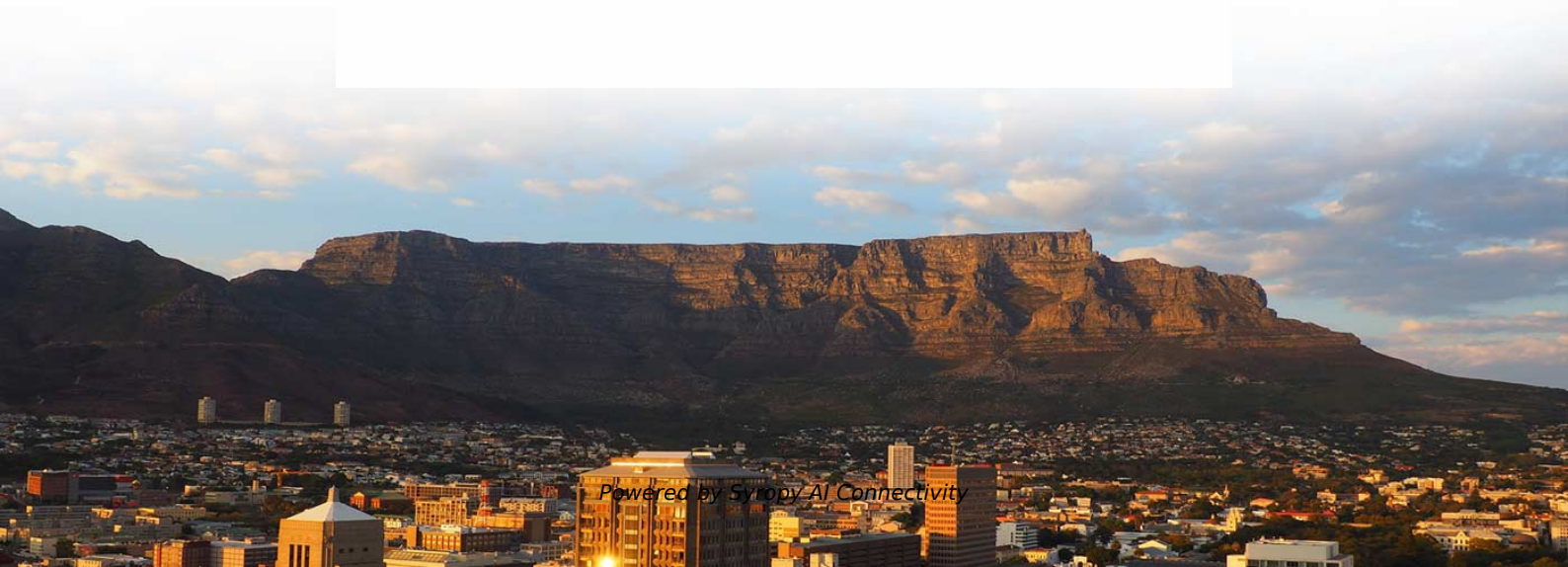
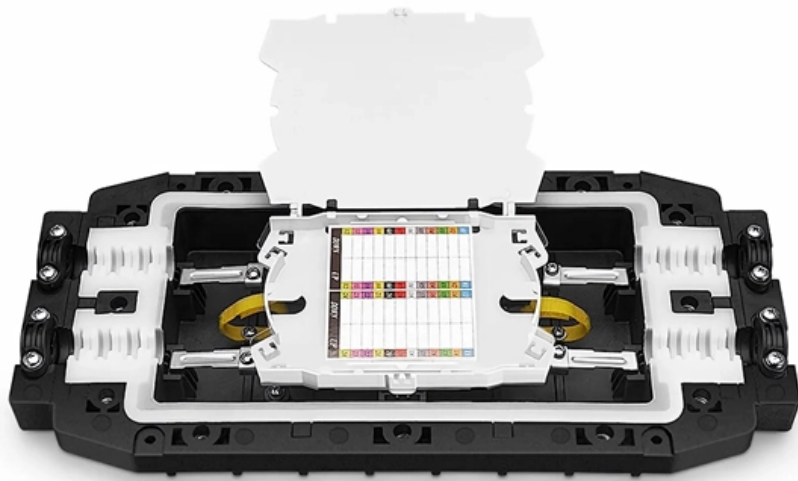


How to handle shallowly buried telecommunication fiber optic cables





How to handle shallowly buried telecommunication fiber optic cable



Underground Fiber Optic Cable: Installation Guide

Guide to Underground Fiber Optic Cable Jun 12, 2025 In the digital age, underground fiber optic cable serve as the invisible arteries of global

How deep are ATT fiber optic cables buried?

Fiber optic cables are rarely buried in isolation. AT& T must coordinate with other utility companies (water, gas, electricity, sewer, other telecom providers) to



How Deep is Fiber Optic Cable Buried: A Technical Guide

This guide explores the technical standards, influencing factors, installation practices, and future trends for burying fiber optic

How Deep Should Fiber Optic Cable Be Buried?

Let's delve into the factors influencing the burial depth of fiber optic cables, industry standards, best practices, and real-world examples to



Underground Installation of Optic Fiber Cable Placing

Placing cables underground has the added benefits of reducing transmission losses, aiding planning consent and reduced risk of service supply loss through extreme weather. This practice covers the

Know What's Below: Buried fiber optic cable safety

Wherever possible, install above-ground signs indicating the location of an underground fiber optic cable, just like the buried pipelines. Microtrenching has



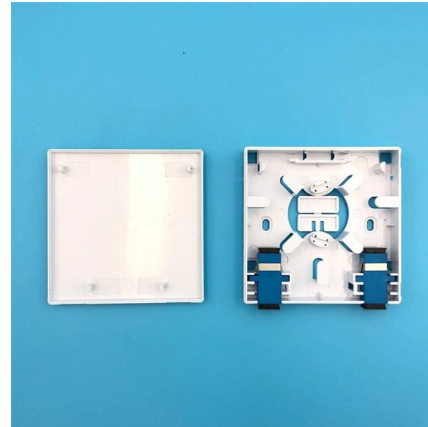
How Deep to Bury Fiber Optic Cable: A Best Practice

Installing a robust and reliable fiber optic network requires carefully determining the optimal burial depth. Proper cable placement protects your



The FOA Reference For Fiber Optics -Outside Plant

Alternative methods of deploying underground fiber cables includes using storm water drains and sewers, while another is micro-trenching, which involves using a



How to Properly Bury Fiber Optic Cables for Long-Term

Fiber optic cables are crucial components of modern telecommunication networks, providing high-speed data transmission over long distances. However, to ensure

Underground Fiber Optic Cable Installation:

Explore the process and benefits of underground fiber optic cable installation. Learn how this infrastructure investment can elevate your internet



OM3 Fiber Patch Cable Family

How Deep Are Fiber Optic Lines Buried?

Unlike older copper cables, fiber optic cables transmit data as light pulses through thin strands of glass or plastic. Their fragility and the need for reliable service necessitate careful



How Deep is Fiber Optic Cable Buried?

Conclusion The depth at which fiber optic cables are buried is a complex decision influenced by numerous factors, from environmental conditions to regulatory standards. By



Direct-Buried Installation of Fiber Optic Cable

Cable Precautions / Specifications CAUTION: Take care to avoid cable damage during handling and installation. Fiber optic cable is sensitive to excessive pulling, bending, and crushing forces. Any

Underground Fiber Optic Cable Installation: A Complete

Learn how to install underground fiber optic cables safely and efficiently. Explore trenching, conduit selection, direct burial methods, splicing,



Underground Fiber Optic Cable: A Comprehensive Guide

Explore the world of underground fiber optic cable in this comprehensive guide. From installation techniques and benefits to career opportunities, dive into the depths of buried connectivity and



5 rules for placing fiber-optic cable in underground plant

OFS notes that innerduct may be direct buried or placed in larger diameter conduits. Or in some applications, the innerduct may be lashed to an aerial strand. The



LoRa handheld portable base station



How to Properly Bury a Fiber Optic Cable

Safely install direct burial fiber optic cable. Follow our guide on planning, securing utility locates, setting depth, and restoring the trench.

How Deep to Bury Fiber Optic Cable -- Depth Guide , TTI Fiber

How Deep Should We Bury Fiber Optic Cable? Fiber optic cable, a cornerstone of modern telecommunications, has revolutionized the way we communicate, access information, and conduct



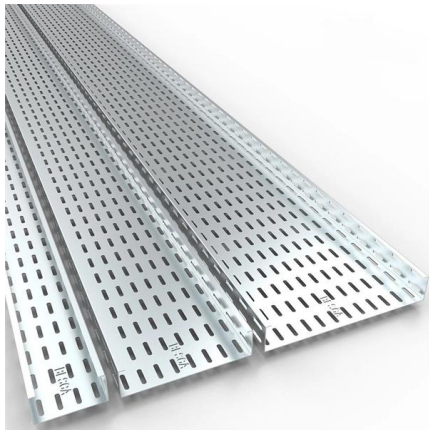
What Lies Beneath: Uncovering the Process of Burying Cable Lines

A wide range of cables can be buried, including power cables, telecommunication cables, and fiber optic cables. Power cables carry electrical energy from power generation sources to



How Deep is Fiber Optic Cable Buried

Are you wondering how deep should you bury your fiber optic cable? If so, then you are not alone many people like you are asking the same question.



How Deep is Fiber Optic Cable Buried?

Discover how deep fiber optic cables should be buried to avoid damage, comply with regulations, and ensure long-term network performance.

Buried Installation of Optic Fiber Cable

Abstract Buried cable is a kind of communications cable which is especially designed to be buried under the ground without any kind of extra covering, sheathing, or piping to protect it. This cable is built to



How Deep Are Fiber Optic Cables Buried? Detailed

Learn how deep fiber optic cables are typically buried (12-36 inches) and what factors affect their burial depth. Avoid damage and ensure proper



Instal 04 Buried Cable Installation Practices Iss3

Direct buried fiber optic cable installation practices are essentially the same as those used for placing copper cable. The following methods of direct burial of fiber optic cables will be addressed: plowing



How Deep Are Fiber Optic Cables Buried? Detailed Guide for Safe

Proper burial depth is critical for the safety, durability, and performance of your communication infrastructure. This guide provides a

Underground Installation of Optic Fiber Cable Placing

Telecommunication conduits are made from various materials and buried directly into the soil or encased in concrete. Fiber optic cables have provided a more optimal use of available underground



Underground Fiber Optic Cable Installation: A Complete

A successful underground fiber optic cable installation begins with careful planning and design. Thorough upfront planning minimizes construction



How to Install Underground Fiber Optic Cables: A

This comprehensive guide walks through the essential steps and best practices for successful underground fiber optic cable deployment, ensuring



Contact Us

For datasheets, pricing, or custom high-speed optical interconnect solutions, please visit:
<https://www.syropy.com.pl>