

How to handle fiber optic cables entering the cabinet via mesh cable trays





How to handle fiber optic cables entering the cabinet via mesh cable



Crackhead/pass.txt at master · moimikey/Crackhead ·

How to create a web form cracker in under 15 minutes. - moimikey/Crackhead

directory-list-2.4.txt/directory-list-2.4.txt at main

Customer stories Events & webinars Ebooks & reports Business insights GitHub Skills



Optical Fiber Cable Installation Guideline

In order to effectively pull cable without damaging the fiber, it is necessary to identify the strength material and fiber location within the cable. Then, use the method of attachment that pulls most

Tom's Hardware: For The Hardcore PC Enthusiast

Tom's Hardware helps you buy the best hardware and build the best PC to play, create and work..



How To: Install Fiber Optic Cable for Success - trueCABLE

Learn the best practices for installing fiber optic cable, from patch cords to bulk distribution fiber.



Inside the World of An FTTH Cabinet

FTTH cabinets are compatible with Fiber Access Terminals (FAT). These are locations of fiber distribution that distribute incoming cable to outbound cables or



Complete Guide to Fiber Optic Home Networking

Build a home fiber network for 1-2 Gbps speeds with this complete guide to installation, troubleshooting, and performance.



Scalability in the Data Center: Adding New Fiber Runs to Existing

Adding fiber optic cables requires careful bend radius protection. Separate fiber, Ethernet, power, and control cables to prevent interference. Avoid overfilling trays and leave room for

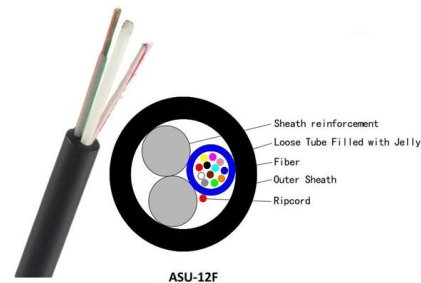


Best Practices for Designing Indoor Fiber Optic Routing in 2025

Ensure safe, efficient indoor Fiber Optic Routing in 2025 with expert design tips, compliance standards, and future-ready installation practices.

The Complete Guide to Fiber Optic Cable Management

Use proper cable management accessories such as cable managers, ties, trays, and raceways to prevent damage, maintain signal quality, and simplify



A Guide to Optimizing Your Fiber Optic Cable Management

How safe, efficient, and organized is your fiber optic cabling? That largely depends on your cable management practices. Optimal organization of your networking cables delivers these



The 4 Critical Elements of Fiber Cable Management



The good news is that when you respect the four critical elements of fiber cable management, not only will your data center have a professional, clean,

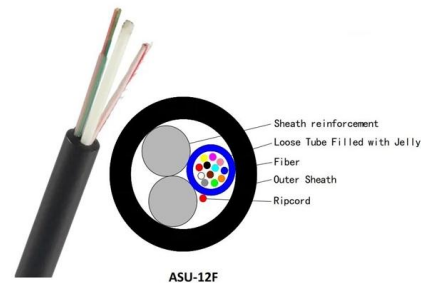


Tips for Fiber Optic Cable Installation in Small Spaces

In this article, you will learn some tips and best practices for managing fiber optic cable installation in small spaces, such as closets, cabinets, conduits, and ducts.

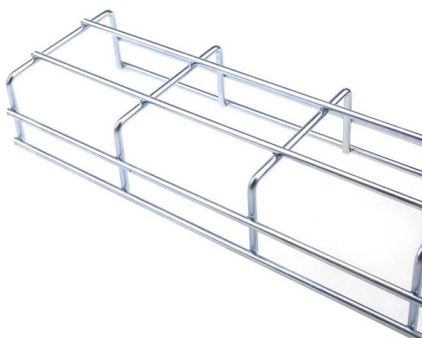
Comprehensive Guide to Fiber Optic Safety - trueCABLE

Navigate the intricacies of fiber optic safety with an authoritative guide on handling hazards, protective gear, and best practices.



The Complete Guide to Cable Management: Organising

Effective cable management is essential for maintaining a well-organized and efficient network infrastructure. Proper cable management not only



Fiber Cable Mechanical Splicing Guide Using Fiber



Learn how to perform mechanical fiber cable splicing inside fiber enclosures using fiber splice trays. This step-by-step guide covers fiber



Installing fiber-optic cable in premises applications

Optical-fiber cable should always be run in trays to avoid as much tension, crushing and bending as possible. Routes should be inspected for sharp turns, snags

Indoor and Outdoor Fiber Cable Installation Best

Explore best practices for installing indoor and outdoor fiber optic cables, including conduit, direct burial, riser, and aerial applications. Build stable,



Fiber Optic Cable Installation Best Practices: Ensuring

Introduction Fiber optic cable installation is a critical process that impacts the performance and reliability of the entire network. Whether you're



Once the fiber optic cables have transitioned from the FiberRunner™ into the rack or cabinet, it is critical to properly manage the cable routing prior to entry to the rack-mounted fiber enclosures or



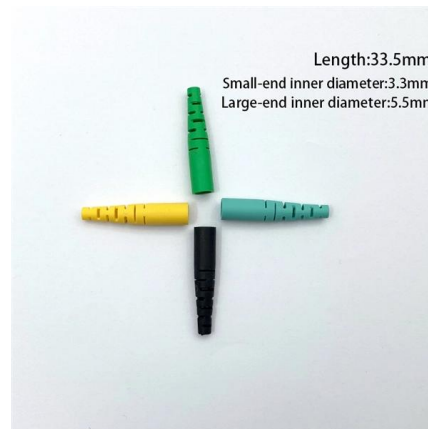
The Complete Guide to Fiber Optic Cable Management

Ultimate fiber optic cable management guide: Best practices for installation, organization & maintenance - ensure network reliability.



How to Properly Connect Two Fiber Optic Cables Inside a Cabinet

When installing fiber optic networks, engineers often face this question: "Can I join two fiber cables inside a cabinet?" The answer is yes--but only if done the right way. Fiber cabinets,



FlexTrax®-- Route Fiber to Cabinets and Racks

Users simply shape FlexTrax as required to created secure drops from overhead trough into cabinets or racks. Once fiber is placed within FlexTrax, attached gates enclose and protect fiber within the cable



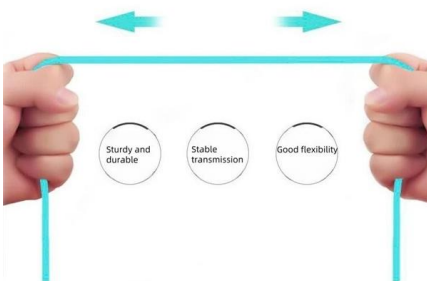
Best Practices for Managing Fiber in Rack and Wall Mount Enclosures

Learn how to properly organize, route, and protect fiber inside rack and wall mount enclosures while maintaining airflow and accessibility for maintenance.



More durable and robust

The outer layer is made of environmentally friendly PVC, which is soft and elastic. It can be stretched without damage, so you can use it with confidence.



5 Vital Safety Rules for Fiber Optic Cables

There are plenty of hazards to watch for when working on commercial and industrial networks. Fiber optic cable can seem safe; it doesn't carry an electrical charge, and it's not a heat

How to Arrange Optical Fiber Optic Patch Cords in the

Untie the fiber patch cable tail band, expand the patch cable tails, and tie the two optical fiber patch cords together with electrical tape once fully



Global IT Products & Network Solutions Provider , Black Box

Black Box provides cutting-edge IT solutions and technology products to businesses worldwide, ensuring innovative and reliable services for global digital transformation.



The Complete Guide to Cable Management: Organising

Whether you're managing a small-scale office network or a large-scale data centre, following the guidelines outlined in this guide will help you



Contact Us

For datasheets, pricing, or custom high-speed optical interconnect solutions, please visit:

<https://www.syropy.com.pl>