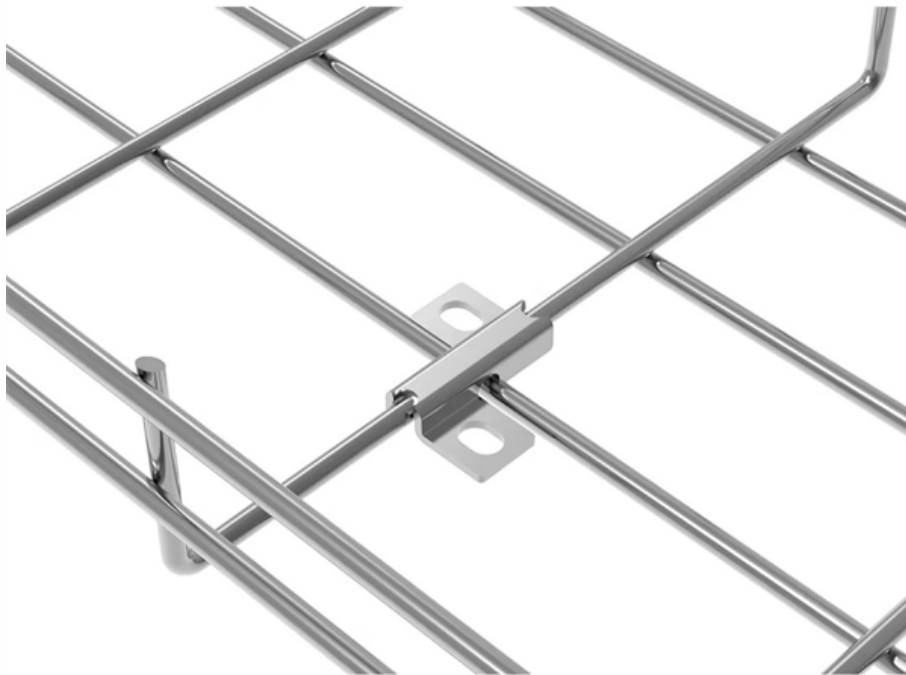


How to design a low-voltage intelligent power distribution cabinet in the Middle East





How to design a low-voltage intelligent power distribution cabinet i

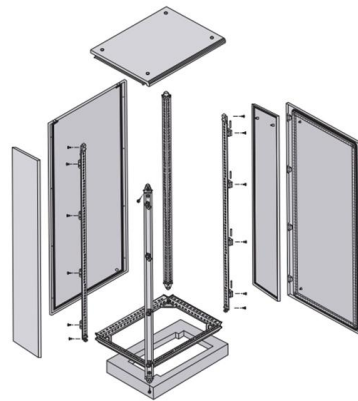


Understanding the Essentials of Low Voltage

This article explores the fundamental role of low voltage distribution cabinets, their key features, and the critical technologies that drive their functionality.

[coinkit/coinkit/words.py at master · mflaxman/coinkit · GitHub](#)

Cryptocurrency wallet interfaces for Bitcoin, Litecoin, Namecoin, Peercoin, and Primecoin. - mflaxman/coinkit

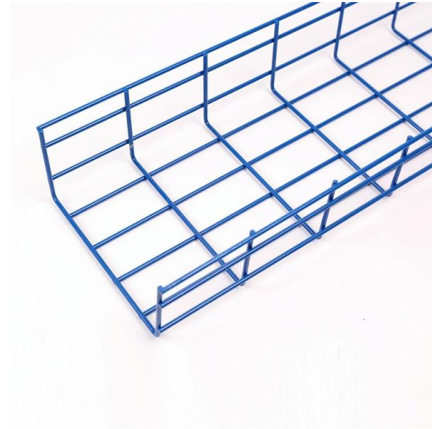


Intelligent Distribution , Solutions , ABB

Our solutions for smart low voltage electrical installations are tailored to maximize continuity of service, energy efficiency and allow easy upgrades all along the

Discussion on Electrical Design of Low-Voltage

Meta description: Guide to modern low-voltage distribution cabinet design, covering structure, circuit planning, component selection, and installation



Crackhead/pass.txt at master · moimikey/Crackhead ·

How to create a web form cracker in under 15 minutes. - moimikey/Crackhead

Smart Low Voltage Switchgear and Sub-distribution

The modular and scalable design, the advanced portfolio and the electrical and mechanical features make System Pro E Power Top Busbar System a high performance for low-voltage premium



Everything You Need to Know About Low-Voltage Power Distribution Cabinets

A low-voltage power distribution cabinet, also known as a switchgear cabinet, is a crucial component of an electrical system that is responsible for distributing power from a main power



Design of Intelligent Distribution Control System Based on BP Neural

Intelligent power distribution system is based on the needs of users and in accordance with the standard specifications of the power distribution system under the premise of secondary development of a set



Optimal Selection of High and Low Voltage Distribution Cabinets in

High voltage distribution cabinets do not exist as individual units within the power system. They primarily consist of several interconnected components including control equipment, high voltage switches,

`zxcvbn-rs/src/frequency_lists.rs` at master

Port of Dropbox's zxcvbn password strength library for Rust - shssochiro/zxcvbn-rs



Elecnova: Electrical Power Distribution Cabinet, Pdu For Network

The Power Distribution Cabinet is a versatile solution designed to efficiently distribute electrical power within various settings. This cabinet integrates components such as circuit breakers, transformers,





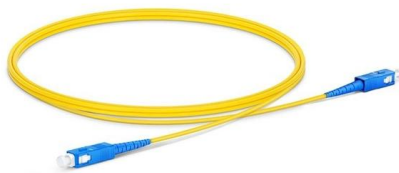
Extract from LV 10 · 04/2021

This comprehensive portfolio for low-voltage power distribution and electrical installation technology covers every requirement - from the switchboard to the socket outlet.



Transformation and Application of Traditional Low

The main components of the traditional GGD low-voltage distribution cabinet are fixed products, the equipment runs in isolation, does not have the



pybitcoin/pybitcoin/passphrases/english_words.py at master · stacks

A Bitcoin python library for private + public keys, addresses, transactions, & RPC - stacks-archive/pybitcoin

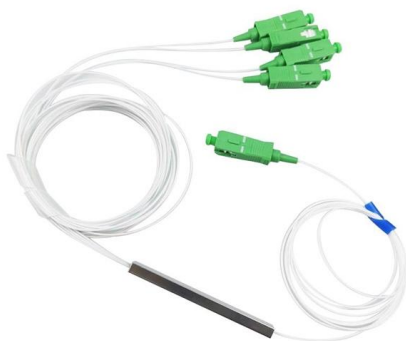


ABB Low voltage distribution system

ABB Low voltage distribution system offers safe and reliable distribution based on InLine ZLBM fuse switch disconnecter. It's a full IP2X protected system consisting



Design of Intelligent Power Distribution Cabinet Based on Intelligent

Based on the current status of the development of power distribution cabinet, as well as the current intelligent power network technology and intelligent equipment needs, this paper through the analysis



ABB Ability™ Electrical Distribution Control System

The modular and scalable design, the advanced portfolio and the electrical and mechanical features make System Pro E Power Top Busbar System a high performance for low-voltage premium

Expert Guide to Low Voltage Distribution System Design

Successful low voltage distribution design requires careful consideration of multiple factors. Technical performance, safety, and economics must balance perfectly.



Intelligent Distribution , Solutions , ABB

Intelligent Distribution Solutions for smart low voltage electrical distribution Digital technologies such as Cloud Computing, Big Data, Internet of Things (IoT),



[unsupervised_topic_modeling/topics/en/17/100/100/topics](#) at

Contribute to [annontopicmodel/unsupervised_topic_modeling](#) development by creating an account on GitHub.



5-Minute Guide to Low Voltage Power Distribution Cabinets: Types

Quick 5-minute read: Discover the main types, essential components, and key maintenance tips for low voltage power distribution cabinets. Learn how Qinghao Electric's intelligent

Understanding the Essentials of Low Voltage

Low voltage distribution cabinets are a critical component of modern electrical systems, ensuring the safe and efficient distribution of power across



MarketsandMarkets

Revenue Impact Firm - MarketsandMarkets offers market research reports and quantified B2B research on 30000 high growth emerging opportunities to over 10000 clients worldwide. Get detailed insights



(PDF) Design and Application Analysis of Intelligent Low

Two spreadsheet models are presented that calculate the power loss for low and medium voltage switchgear and practical examples are shown for



directory-list-2.4.txt/directory-list-2.4.txt at main

Notifications You must be signed in to change notification settings Fork 0



IPD Low-Voltage Power Distribution Cabinet - iTeaQ

IPD can be used for feeders, busbars, lighting, and power load control. In addition, IPD offers flexible options such as fixed, drawer-type, and fixed compartmentalized solutions based on customer



Design of Intelligent Power Distribution Cabinet Based on Intelligent

Based on the current status of the development of power distribution cabinet, as well as the current intelligent power network technology and intelligent equipm



Low Voltage Power Distribution Cabinet in the Real World: 5

Quick Primer Low Voltage Power Distribution Cabinets are enclosures that house electrical components like circuit breakers, switches, and protective devices.



Contact Us

For datasheets, pricing, or custom high-speed optical interconnect solutions, please visit:
<https://www.syropy.com.pl>