

How to connect the network cable to the mesh cable tray





Overview

The answer: use the right connection accessories for a secure, aligned and continuous cable support system. In most cases, sections of wire mesh baskets or electrical cable trays are joined using couplers, bolts, or proprietary connector kits. Make your work easier with different plating options fixed to the wall and floor thanks. Depending on the type and version of mesh cable tray, as well as the corrosion protection used, the mesh cable tray systems can be mbient temperatures of - 20 °C to + 120 °C. The Wire Mesh Cable Tray system has become the preferred wiring solution for modern data centers, commercial buildings, and industrial facilities due to its superior flexibility, lightweight nature, and rapid installation characteristics. Newlink Cabling Systems has produced an entertaining, graphically animated video that shows how to install wire mesh cable trays in a data networking environment.



How to connect the network cable to the mesh cable tray



Perfect Wire Mesh Cable Tray Systems Design for Your

Routing the Cables: Once the cable tray sections are interconnected, begin routing the cables through the wire mesh cable tray system. Utilize cable

How to connect TP-Link Wi-fi Extender to Router with Ethernet Cable

In Access point mode, tp-link extender connects to the router via an Ethernet cable and transform the wired network to a wireless network. This mode requires running an Ethernet cable



Ruggedized Fiber Patch Cables for Harsh Environments: The Guide for

Ruggedized fiber patch cables are engineered to survive where standard cables simply won't--from 5G rooftop base stations to underground industrial networks In 2026, fiber is

How to install wire mesh cable trays

Newlink Cabling Systems has produced an entertaining, graphically animated video that shows how to install wire mesh cable trays in a data networking environment.



Perfect Wire Mesh Cable Tray Systems Design for Your

Unlock the secrets to flawless wire mesh cable tray systems designs, cable tray sizing and routing, electrical, installation guidelines for seamless

Cable Tray and Reels , Wire and Cable Management

Fast installation with dependable support. Everything you need to build a cable management system, including Cablofil wire mesh cable tray, ladder cable tray,



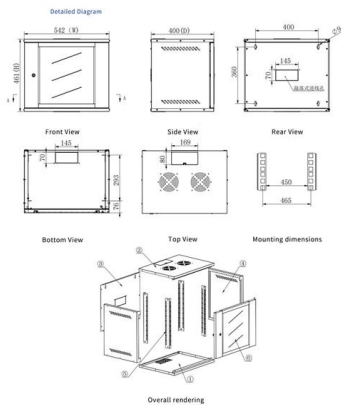
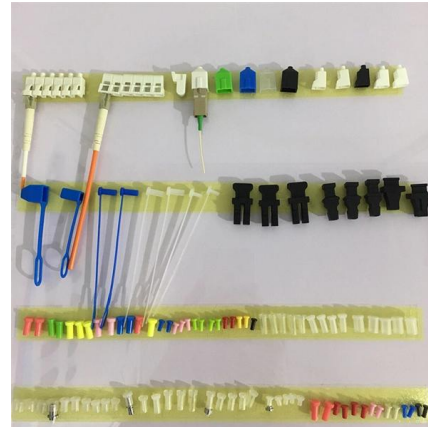
Wire Mesh Cable Tray Installation: A Comprehensive

Installing wire mesh cable trays is a straightforward process when done correctly. By following this guide, you can ensure a safe, efficient, and durable



How to connect TP-Link Wi-fi Extender to Router with Ethernet Cable

Access Point Mode In Access point mode, tp-link extender connects to the router via an Ethernet cable and transform the wired network to a wireless network. This mode requires running



Wire Mesh Cable Tray: Complete Installation Guide

Wire Cable tray Conclusion Installing wire mesh cable trays is an effective way to improve cable management in industrial and commercial settings.

Mastering Cable Tray Installation , Step-by-Step Guide for a Seamless

Learn how to install cable trays correctly. Get the ultimate step-by-step guide on setting up a seamless and reliable cable management system.



Mesh networking

A mesh network whose nodes are all connected to each other is a fully connected network. Fully connected wired networks are more secure and reliable: problems



comoro-cable-tray-mesh-price Distributor

All suppliers for comoro-cable-tray-mesh-price Distributor Find wholesalers and contact them directly B2B martkethe Find companies now!



Mesh cable tray systems

essories for floor, wall and ceiling mounting The mesh cable trays can be mounted directly on the floor, wall.



How to Set Up a Mesh Network with Router Ethernet Cables

This comprehensive guide will delve into the intricacies of setting up a mesh network using router ethernet cables, empowering you with the knowledge to create a stable and reliable



Wire Mesh Cable Tray Installation Guide: How to complete cabling

By following these detailed steps, and specifically leveraging the advantages of quick couplers and on-site shaping, your Wire Mesh Cable Tray installation project will achieve maximum



Considerations for Optimal Wireless Mesh Networks

Considerations for Optimal Wireless Mesh Networks What is a Mesh Network? A mesh network is a flexible and powerful way to extend wireless coverage across



How to install a cable tray and wire mesh tray to a wall

Cable trays are attached to wall support YPK with M6x30 screws and M6 nuts. 00:32 Wire mesh tray joint WMT CL is used to attach wire mesh tray to the wall support YPK.

Cable Tray Systems: A Complete Guide to Types

Discover the essential guide to cable tray systems. Learn about ladder, trough, and wire mesh types, key components, and expert installation tips



What is a Network Node? , Definition from TechTarget

What is a computer network, and where do network nodes fit? A computer network is a system of computers and computing devices connected

Cable Trays , Cable Management Systems ,



Snake Tray

Snake Tray manufactures cable trays, power distribution solutions and cost-effective cable management systems for data centers, solar installations, transit & more.



How to Install Wire Mesh Cable Trays? , EAE Electric

How to Install Wire Mesh Cable Trays? Discover the ease of installation, flexibility, and durability of EAE Elektrik TLS Cable Basket!

Designing the Perfect Wire Mesh Cable Tray System for Your Network

Join us as we delve into the key considerations, benefits, and best practices for designing the perfect wire mesh cable tray system tailored to meet your unique network needs. Say goodbye to cable



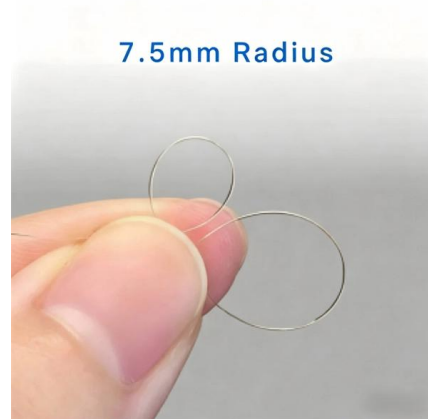
How to Install a Wire Mesh Basket or Cable Tray , CMW

Regarding cable management, correctly installing a wire mesh basket tray or cable tray is crucial for safety and efficiency. The short answer is that you need to measure up, choose the right



Mesh cable tray systems

1 4 Correct use The mesh cable tray systems support and route all types of cables. Depending on the type and version of mesh cable tray, as well as the corrosion protection used, the mesh cable tray



How to install Cable Trays - Best Guide in 2026

Step-by-step on-site guide: learn how to plan, mark, support, and install cable trays correctly, from shop drawing approval to final checks.

The Best Wi-Fi Mesh-Networking Systems

One solution is mesh-networking systems, which spread multiple access points around your house to improve the range and performance of your



Connecting Wire Mesh Baskets & Cable Trays , CMW

Learn how to connect multiple sections of wire mesh baskets or cable trays efficiently. Tips, tools, and techniques from cable management experts at CMW.

Designing the Perfect Wire Mesh Cable Tray



System for Your Network

Are you tired of dealing with cable management issues in your network infrastructure? Look no further! Designed to provide optimal support, flexibility, and ventilation for your cables, wire mesh cable trays



Contact Us

For datasheets, pricing, or custom high-speed optical interconnect solutions, please visit:
<https://www.syropy.com.pl>