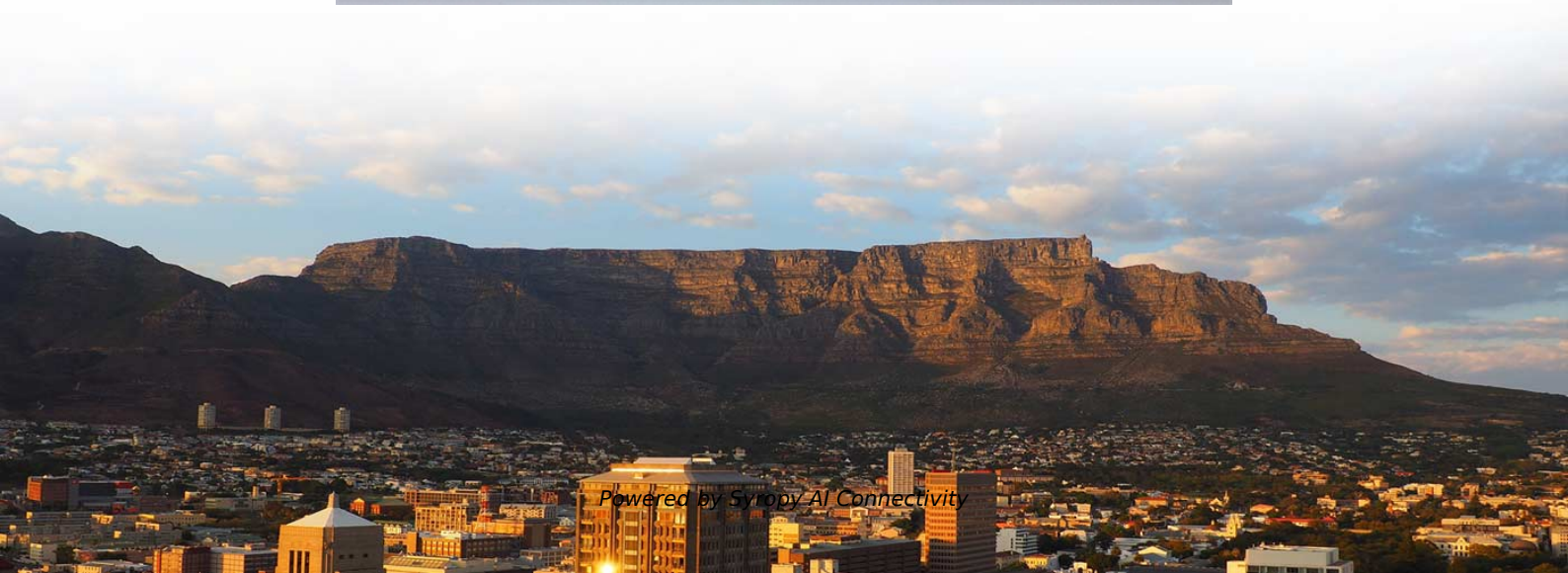


# **How to connect Spanish cable trays**





## How to connect Spanish cable trays

---

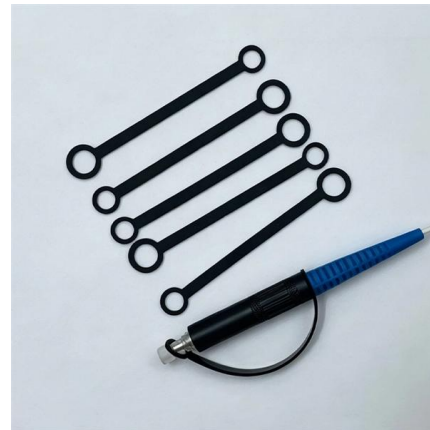


### Technical Guidelines for Cable Tray Installation and

Cable tray installation must comply with specific technical standards to ensure electrical safety, system reliability, and long-term maintainability. This document

### Mastering Cable Tray Installation , Step-by-Step Guide for a Seamless

Mastering cable tray installation is crucial for creating a safe, organised, and efficient cable management system. By following this step-by-step guide, you can ensure a seamless setup that



### How to Install cable tray Practical Skills

Channel Tray provides an economical support for cable drops and branch cable runs from the backbone cable tray system. Channel cable tray is used for installations with limited numbers

### CABLE TRAYS GENERAL INFORMATION AND

Cable tray systems are to be installed so they are accessible. If possible 300mm minimum should be left above or between installed systems to allow for cable

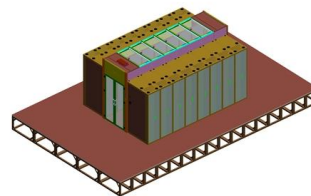


### **Cable Tray Systems: Requirements and Best Practices**

Comprehensive guide to cable tray systems requirements: tray types, materials, loading, supports, bonding, routing, and best practices for safe electrical cable management.

### **Cable Tray Installation Guide**

In this helpful cable tray installation guide, we [] It's important for any industrial workplace to manage its wiring by setting up a cable routing system to



### **how to install cable tray systems ? , What is the difference between**

What is the difference between cable ladders and cable trays? Cable tray use for easier to lay new cables onto a tray system as the needs of a project change over time. ladder tray, cable runway



## How to Install cable tray Practical Skills

In the electrical wiring of buildings, a cable tray system is used to support insulated electrical cables used for power distribution, control, and communication. cable tray sizes chart cable tray



## CABLE TRAYS CONNECTION INSTRUCTIONS

It is possible to use cable trays as grounding conductor equipment. In accordance with National Electrical Code (NEC) Article 392 "Cable trays" first determine the Maximum Fuse Ampere Rating or

## Connecting Cable Trays: Your Guide to Secure and

Learn common methods for connecting cable trays safely and efficiently. Our guide covers splice plates, quick-connects, and key tips for secure



## LEGRAND CABLOFIL INSTALLATION MANUAL Pdf

View and Download LEGRAND Cablofil installation manual online. Cablofil cables and connectors pdf manual download.



## Mounting instructions

Electrically trained specialists charged with installing cable support systems and cable trays. These instructions are based on the standards valid at the time of compilation (12/2023). Please read the



## CABLE TRAYS GENERAL INFORMATION AND

In order to install the cable tray supports, first find the required elevation from the floor to the bottom of the cable tray and establish a level line with a laser or a

## Best practice guide to cable ladder and cable tray

Cable ladder and cable tray systems The following recommendations are intended to be a practical guide to ensure the safe and proper installation of



## How to install Cable Trays - Best Guide in 2026

Step-by-step on-site guide: learn how to plan, mark, support, and install cable trays correctly, from shop drawing approval to final checks.



### Cable tray automatic connection.

Hi, I need help. I'm working on a project which we have too many cable tray offsets. My automatic connection on levels changes is giving me a hard time.

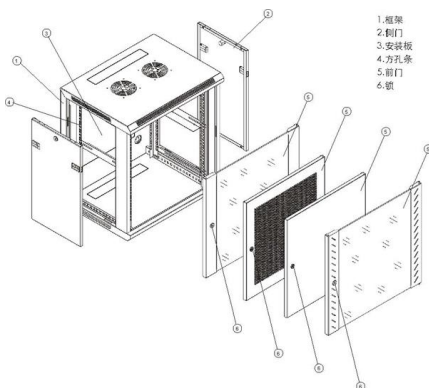


### Cable Tray Technical Guide A practical guide to product selection and

Cable tray is considered to be a system. It must provide continuous support for cables, and the electrical continuity of the cable tray system must be maintained.

### Best Practices for Installing Cables in Trays

Learn the best practices for installing cables in trays. This guide covers essential steps, technical requirements, and key details for efficient cable



### Specialist manufacturers on steel mesh cable trays,

Our wire mesh cable trays are meticulously designed and precisely manufactured to provide an efficient and robust solution for cable routing and support in diverse

### CABLE TRAY



Translation for 'cable tray' in the free English-Spanish dictionary and many other Spanish translations.

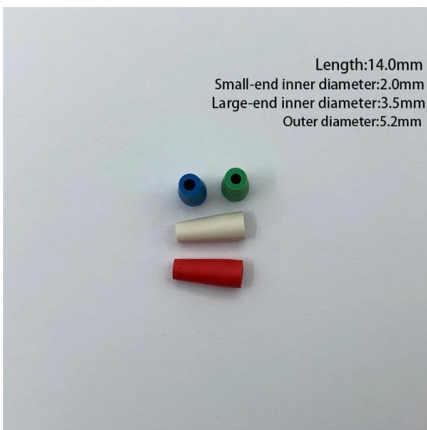


### Cable Tray Installation Guidelines

This document provides details on installing cable trays and their support systems. It includes diagrams showing how to mount cable trays on walls using pre

### Cable Tray Installation

Learn everything about cable tray installation with our complete guide. Discover types, steps, and safety tips for efficient electrical cable management.



### TOP 5 Cable Tray Manufacturers in Europe

Explore leading Cable Tray Manufacturers in Europe, offering durable, compliant solutions for industrial and commercial projects across various industries.



## Electrical Cable Tray In Spain

Ring Us- The Best Electrical Cable Tray Exporters in Spain! Contact us- one of the well-known Electrical Cable Tray Suppliers and Exporters in Spain, today to discuss your cable tray requirements and



## Contact Us

---

For datasheets, pricing, or custom high-speed optical interconnect solutions, please visit:  
<https://www.syropy.com.pl>