

How to configure VTP on a dual-core switch



CORE

Long transmission distance



JACKET



STEEL

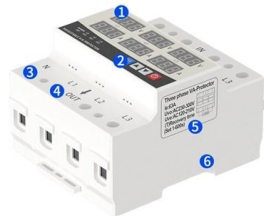
High strength





How to configure VTP on a dual-core switch

GAIN AN IN - DEPTH UNDERSTANDING OF



- ① LED DISPLAY PANEL
- ② PROTECTOR OPERATION BUTTONS
- ③ NEUTRAL WIRE OUTPUT TERMINAL
- ④ LIVE WIRE OUTPUT TERMINAL
- ⑤ WORKING CURRENT AND VOLTAGE INSTRUCTIONS
- ⑥ FLAME - RETARDANT SHELL

Cisco VTP (VLAN) Trunking Protocol and How to Enable It

Learn about VLAN Trunking Protocol (VTP) and how to enable it on Cisco switches. VTP simplifies VLAN management and improves network performance.



Configuring VTP

Prerequisites for VTP Before you create VLANs, you must decide whether to use the VLAN Trunking Protocol (VTP) in your network. Using VTP, you can make configuration changes centrally on one or

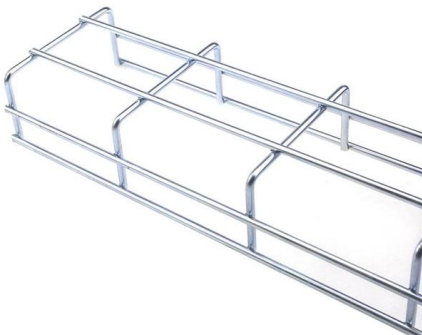
VTP Configuration with Packet Tracer , 7 Steps , Cisco

In this lesson, we will focus on How to Configure VTP on Cisco switches with Packet Tracer. For VLAN Trunking Protocol, Cisco VTP Configuration, we will use the



VLAN Configuration Guide, Cisco IOS XE 17.15.x (Catalyst 9200 Switches)

VTP Advertisements Each device in the VTP domain sends periodic global configuration advertisements from each trunk port to a reserved multicast address. Neighboring devices receive

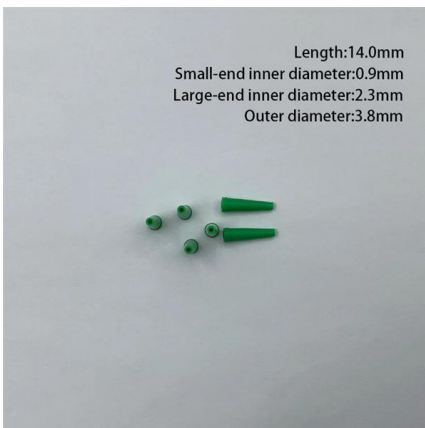


What is VLAN Trunking and VTP

Vtp-client (config)# vtp password vtp123 Now every time you want to add or remove a Layer 2 vlan from the network, just create or delete the Vlan on the VTP Server

Understand VLAN Trunk Protocol (VTP)

This document describes how to configure a new VLAN on one VTP server and distribute it through all switches on the domain.



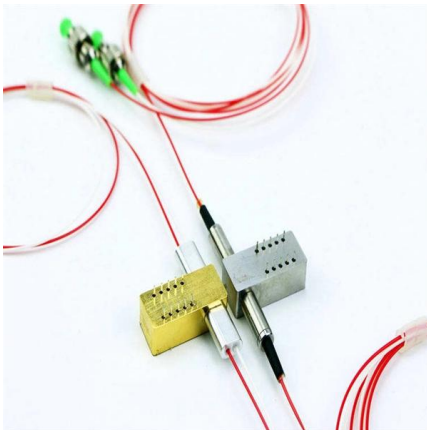
Cisco VTP VLAN Trunking Protocol Tutorial

In this Cisco CCNA video tutorial with accompanying text and diagrams, I explain Cisco VLAN Trunking Protocol (VTP) and how to configure it.



Configure VTP Server and Client in Switch

This tutorial explains VTP Server configuration steps. Learn how to configure a VTP Server in Server, Transparent, and Client mode.



Understanding and Configuring VTP

If you configure the switch as VTP transparent, you can create and modify VLANs, but the changes affect only the individual switch. When you make

How to Configure VTP on Cisco Switch

This guide has outlined the core steps for configuring VTP, including enabling VTP on your switches, selecting the appropriate VTP mode, and setting the VTP domain name and password.



How to Setup VLAN Trunking Protocol (VTP) on Cisco

With VTP, you only have to create the four VLANs once, on one switch, and all other switches learn about the four VLANs. In other words, the job of VTP





Configure VTP

Prerequisites for VTP Before you create VLANs, you must decide whether to use the VLAN Trunking Protocol (VTP) in your network. Using VTP, you can make configuration changes centrally on one or



Configuring VTP

Configuring VTP This chapter describes how to use the VLAN Trunking Protocol (VTP) and the VLAN database for managing VLANs with the Catalyst 2960, 2960-S or 2960-C switches. Unless otherwise

Configuring VTP

Configuring VTP This chapter describes how to use the VLAN Trunking Protocol (VTP) and the VLAN database for managing VLANs with the Catalyst 3750-X or 3560-X switch. Unless otherwise noted,



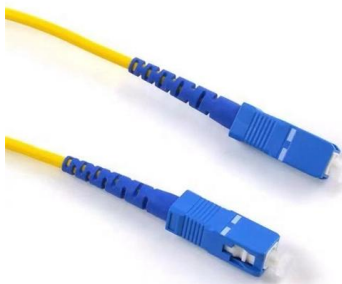
VTP configuration

This article describes the theory and operation of VTP (the Virtual Trunking Protocol) and how to configure it on a Cisco switch.



Configure and verify DTP and VTP - IT Networking Skills

This post covers two Cisco proprietary protocols, DTP (dynamic trunking protocol) and VTP (VLAN trunking protocol). This post looks at the basic characteristics and functions as well as



Introduction to VTP (VLAN Trunking Protocol)

VTP (VLAN Trunking Protocol) is used to exchange VLAN information between Cisco Catalyst Switches. I will show you how to configure VTP in this lesson.

VTP Configuration on Cisco Switches: Versions 1, 2, and 3

VTP automates VLAN propagation across switches--but a single switch with a high revision number can wipe all VLANs from your network. Learn



VLAN

When you configure VTP, you must configure a trunk port so that the switch can send and receive VTP advertisements to and from other switches in the domain.



VLAN Trunking Protocol (VTP): Complete Configuration Guide with

What is VLAN Trunking Protocol (VTP)? VLAN Trunking Protocol (VTP) is a Cisco proprietary Layer 2 messaging protocol that manages the addition, deletion, and renaming of VLANs



Configuring VTP

Configuring VTP This chapter describes how to use the VLAN Trunking Protocol (VTP) and the VLAN database for managing VLANs with the Catalyst switches.

VLAN Trunking Protocol (VTP): Complete Configuration Guide with

VLAN Trunking Protocol (VTP) is a Cisco proprietary Layer 2 messaging protocol that manages the addition, deletion, and renaming of VLANs across a network domain.



Configuring VTP V3

In VTP client mode, a switch stores the last known VTP information including the configuration revision number, on the bootflash. A VTP client might or might not start with a new configuration when it



VLAN Configuration Guide, Cisco IOS XE Amsterdam

VTP Advertisements Each device in the VTP domain sends periodic global configuration advertisements from each trunk port to a reserved multicast



Solved: Changing VTP Primary Server

A VTP primary server updates the database information and sends updates that are honored by all devices in the system. A VTP secondary server can only back up the updated VTP

Configure VLAN Trunk Protocol (VTP)

Background Information VTP reduces administration in a switched network. When you configure a new VLAN on one VTP server, the VLAN is distributed through all switches in the domain. This reduces



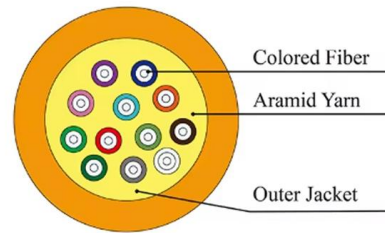
Configuring VTP on Cisco Switches: A Comprehensive Guide

Learn how to configure VTP on Cisco switches with this comprehensive guide. Covering basics, advanced tips, and troubleshooting, you'll master VTP configuration.



Catalyst 2960 and 2960-S Software Configuration

This chapter describes how to use the VLAN Trunking Protocol (VTP) and the VLAN database for managing VLANs with the Catalyst 2960 and 2960-S



VTP VLAN Trunking Protocol: Simplified Way of Learning

We will use the following lab topology to configure the VTP VLAN trunking protocol on the Cisco switches. Configure VTP mode as server, transparent, and client on

Contact Us

For datasheets, pricing, or custom high-speed optical interconnect solutions, please visit:
<https://www.syropy.com.pl>